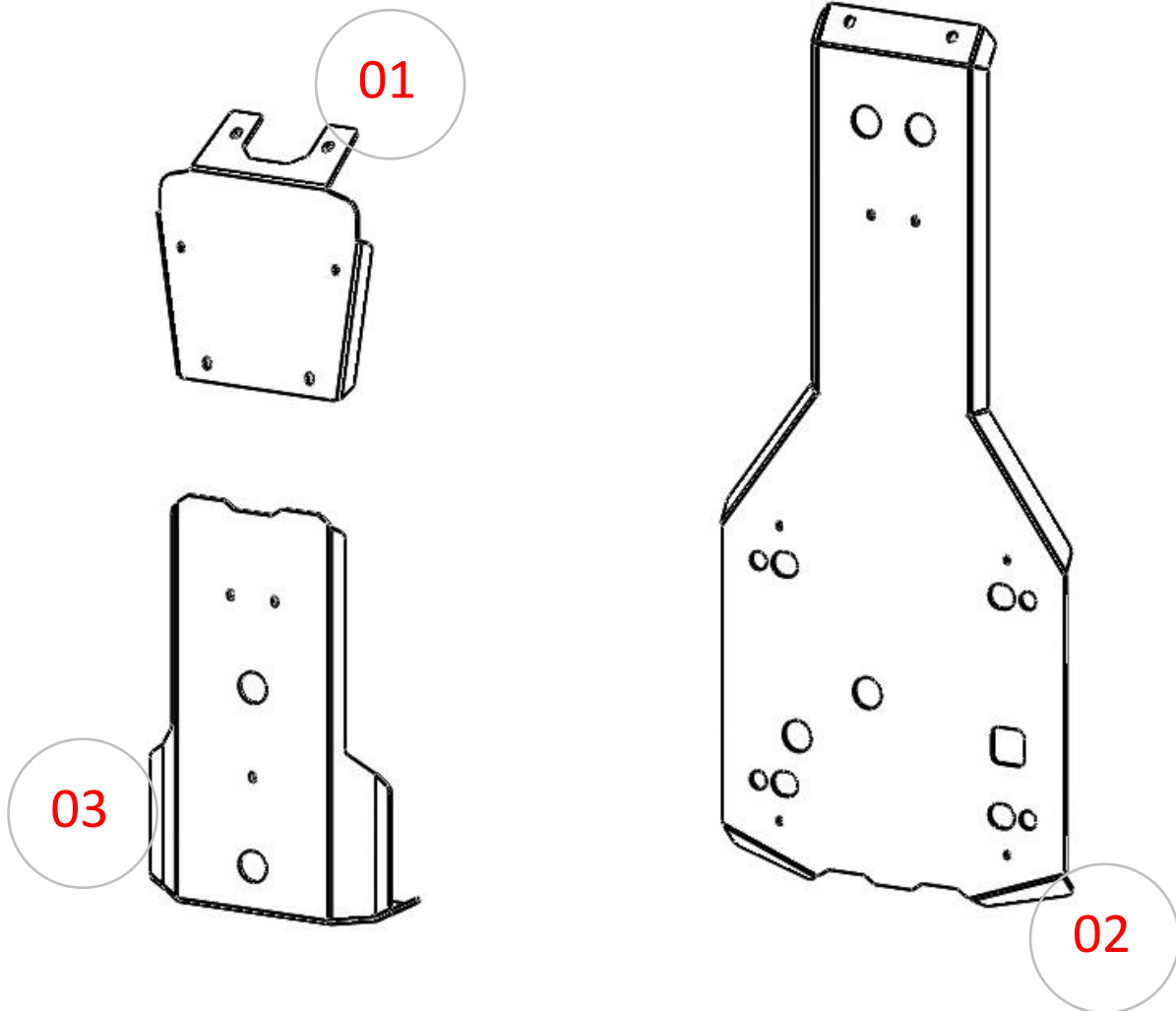




# INSTALLATION INSTRUCTIONS

SKU: **SP-3164**

CENTRAL PLATES CAN-AM OUTLANDER G2L (2015+)

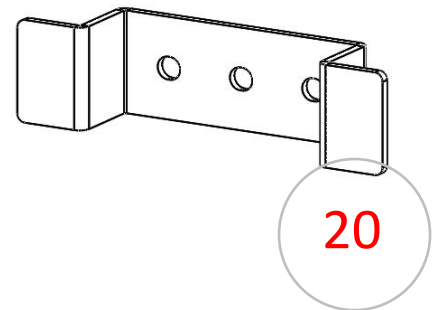
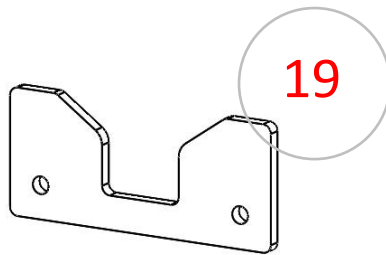


## SAFETY WARNING

Please **read and understand** all instructions and safety warning prior to install the product. Failure to do so could result in product damage, personal injury or even death.

- Stay alert! Watch what you are doing and use common sense while handling this product.
- Inspect product for damage prior to installation, do not use if product is in unsafe condition.
- Do not install product while under the influence of drugs, alcohol or medication.
- Always use safety equipment to prevent injuries. Approved face and eye protection must always be worn by the installer, as well as others in the work area.
- Do not over reach. Keep proper footing and balance at all times.
- Dress properly. Do not wear loose clothing or jewelry. Keep your hair, clothing and gloves away from moving parts.
- Keep your work area clean and well lit.

Item	Part No.	Description	Qty.
<b>COMPONENTS</b>			
Those items are shown on the first page.			
01	3162-02	Front Aluminum Central Plate	1
02	3162-03	Middle Aluminum Central Plate	1
03	3162-04	Rear Aluminum Central Plate	1



Item	Part No.	Description	Qty.
------	----------	-------------	------

---

**HARDWARE (3162-02)**

Those items are included with each kit to install the front plate.

04	A-1008	M10 Flat Washer	2
05	A-1505	M6-1.00 Flange Lock Nut	2
06	A-1507	M8-1.25 Flange Lock Nut	2
07	A-1509	M10-1.50 Flange Lock Nut	2
08	A-2605	M6-1.00 x 20mm Hex Flange Bolt	2
09	A-2813	M8-1.25 x 40mm Hex Flange Bolt	2
10	A-3008	M10-1.50 x 30mm Hex Bolt	2

**HARDWARE (3162-03)**

Those items are included with each kit to install the middle plate.

05	A-1505	M6-1.00 Flange Lock Nut	5
06	A-1507	M8-1.25 Flange Lock Nut	2
11	A-2621	M6-1.00 x 60mm Hex Flange Bolt	4
12	A-2658	M6-1.00 x 20mm Carriage Bolt	1
13	A-2809	M8-1.25 x 30mm Hex Flange Bolt	2
14	A-4001	Rubber Strip / Adhesive Back, 1x2" x 1/8" Thick	6
15	B-5222	12mm ID. x 11/16" OD. x 1-3/8" Lg. Bushing	4
16	B-5601	Bracket	1

**HARDWARE (3162-04)**

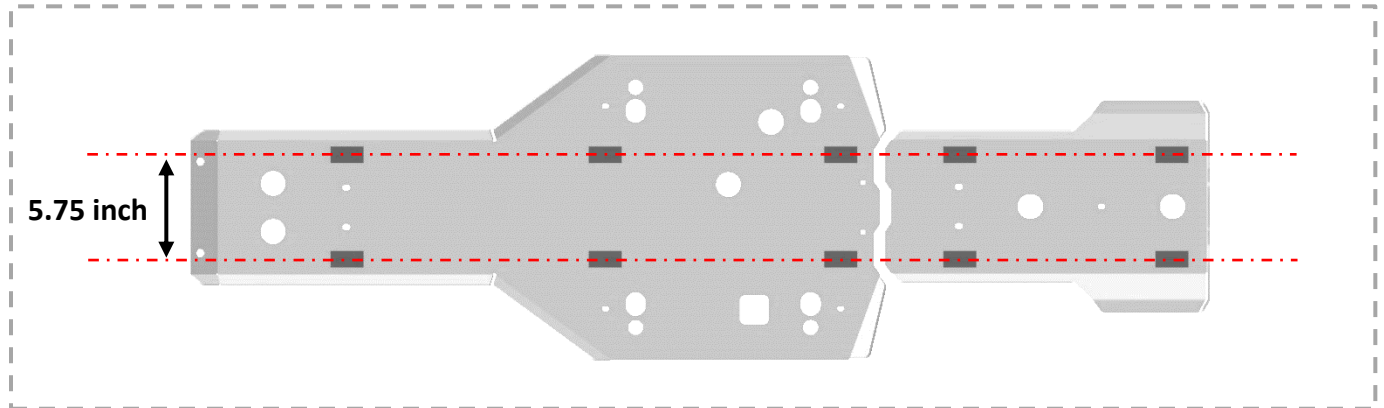
Those items are included with each kit to install the rear plate.

17	A-1103	5/16" x 1.250" OD. Flat Fender Washer	1
05	A-1505	M6-1.00 Flange Lock Nut	2
06	A-1507	M8-1.25 Flange Lock Nut	3
12	A-2658	M6-1.00 x 20mm Carriage Bolt	2
18	A-2807	M8-1.25 x 25mm Hex Flange Bolt	2
09	A-2813	M8-1.25 x 40mm Hex Flange Bolt	1
14	A-4001	Rubber Strip / Adhesive Back, 1x2" x 1/8" Thick	4
19	B-5602	Bracket	1
20	B-5603	Bracket (clamp)	1

# INSTALLATION INSTRUCTIONS

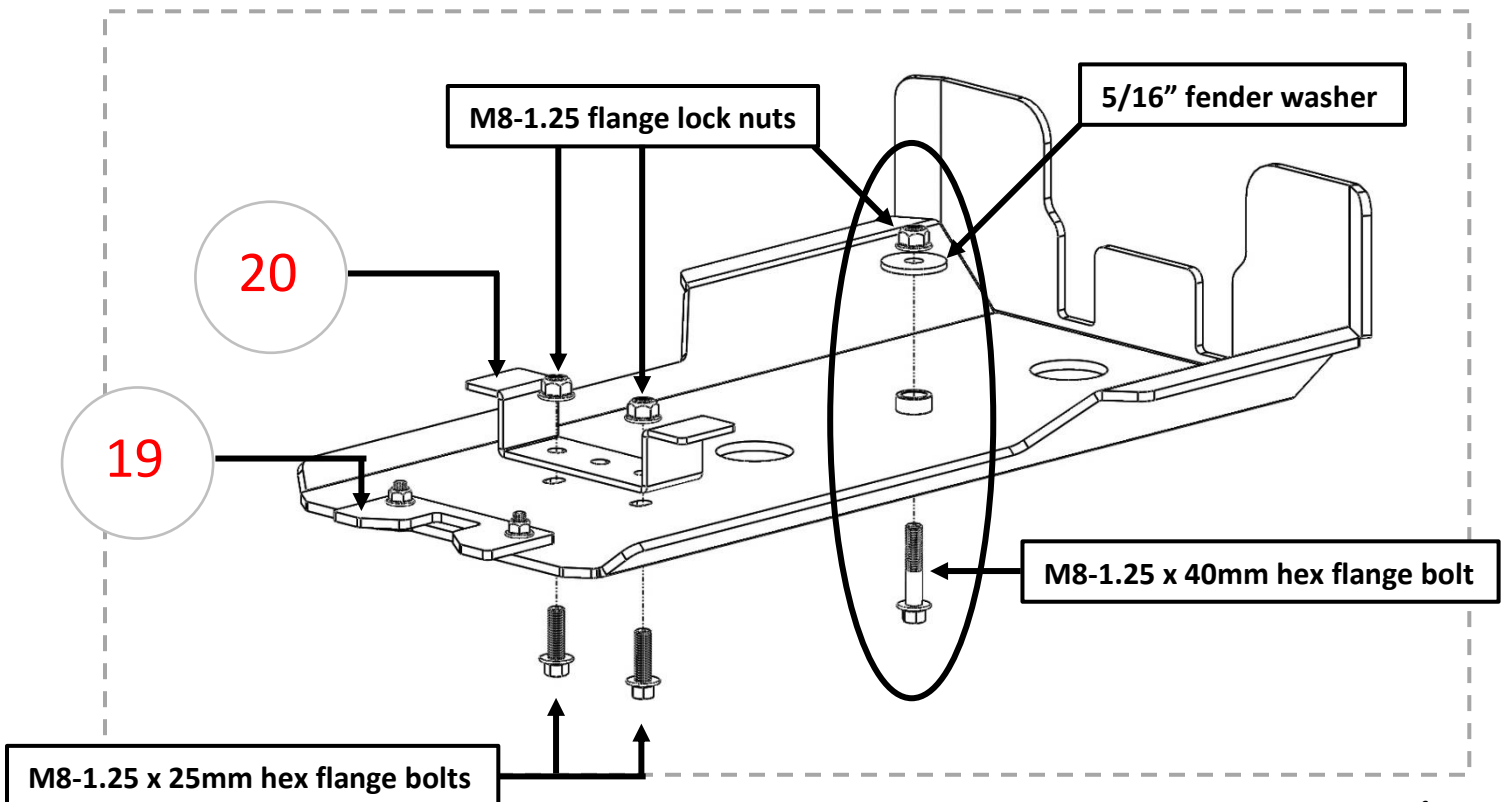
## PREPARATION

- We recommend to standing the ATV up on its end, to be able to install easily the plate under the bike.
- Remove the factory skid plate.
- On the frame (or directly on the plates), stick the provided rubber strips. **Refer to the image below.**

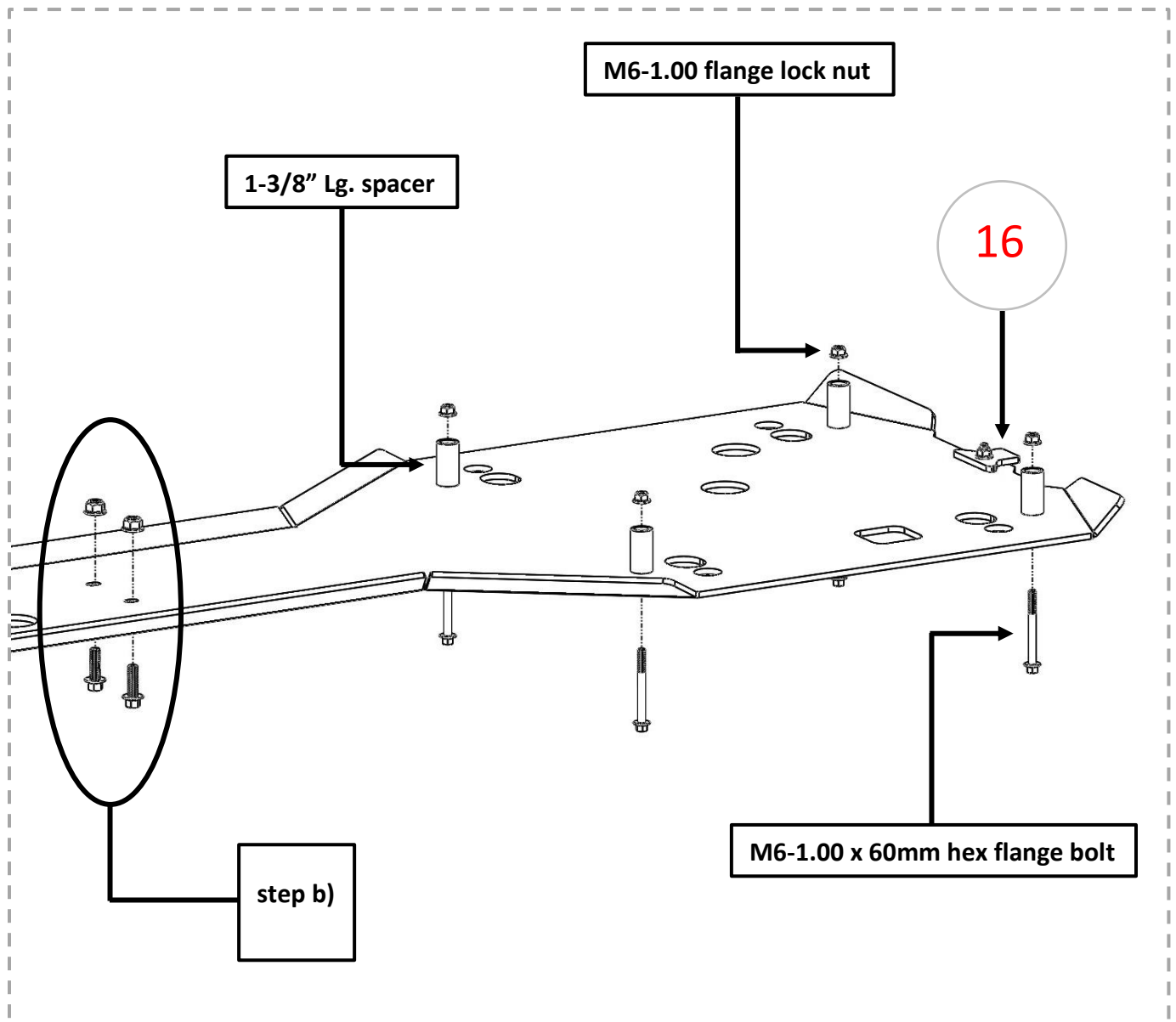


## INSTALLATION (do not tight until all was fixed correctly)

1. Install the bracket (19) to the rear plate. Use (2x) M6-1.00 x 20mm carriage bolts and (2x) M6 lock nuts.
2. Start with the bottom of the rear plate. Use (1x) M8-1.25 x 40mm hex flange bolt, (1x) 5/16" fender washer (over the frame) and (1x) M8 lock nut. **Refer to the schema below.**



3. Secure the front portion of the rear plate using the bracket (20), (2x) M8-1.25 x 25mm bolts and (2x) M8 lock nuts. **Refer to the schema over.**
4. Install the bracket (16) to the bottom of the middle plate. Use (1x) M6-1.00 x 20mm carriage bolt and (1x) M6 lock nut.
5. Secure the underside of the middle plate to the frame. **See instructions & schema below.**
  - a) Use (4x) M6-1.00 x 60mm hex flange bolts, (4x) 1-3/8" Lg. spacers and (4x) M6 lock nuts.  
**NOTE:** Insert the spacer between the plate and the frame.
  - b) Use (2x) M8-1.25 x 30mm hex flange bolts and (2x) M8 lock nuts.  
**NOTE:** Use a 5/16" drill bit and drill 2 holes where will be bolted the M8 bolts.

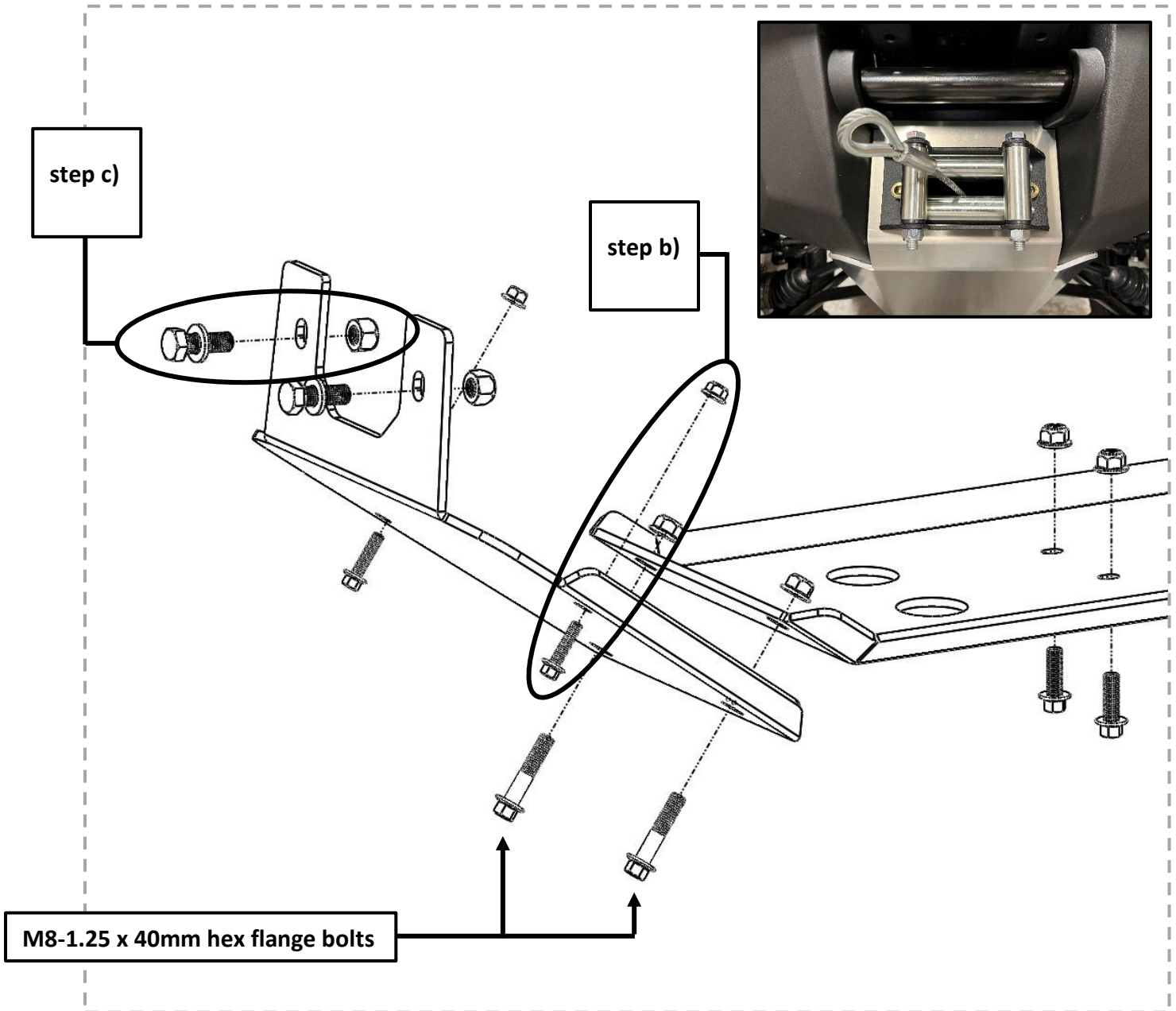
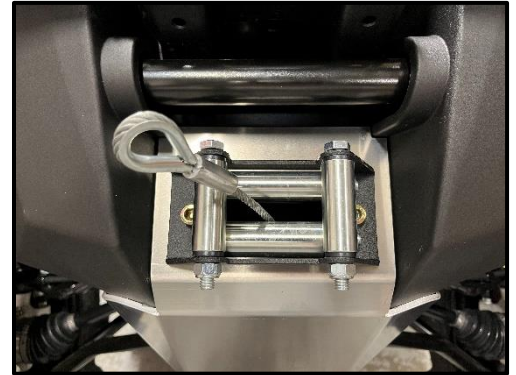


6. If you have a winch, unbolt the fairlead from the ATV. **Keep OEM hardware for later.**

7. Install the front plate to the ATV. **See instructions & schema below.**

- a) Use **(2x)** M8-1.25 x 40mm hex flange bolts and **(2x)** M8 lock nuts.
- b) Use **(2x)** M6-1.00 x 20mm hex flange bolts and **(2x)** M6 lock nuts.
- c) Use **(2x)** M10-1.50 x 30mm hex bolts, **(2x)** M10 washers and **(2x)** M10 lock nuts.

**NOTE:** Use the OEM hardware if you have a winch.



8. Once the 3 plates are correctly installed, tight all the bolts appropriately.