

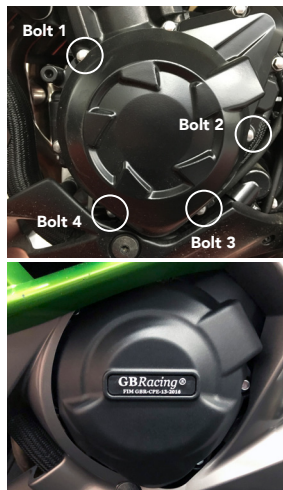
THIS SHEET INCLUDES FITTING INSTRUCTIONS FOR THE FOLLOWING PARTS:

Secondary Alternator Cover Part No. EC-Z1000SX-2016-1-GBR / Secondary Clutch Cover Part No. EC-Z1000SX-2016-2-GBR /  
Secondary Pulse Cover Part No. EC-Z1000SX-2016-3-GBR  
Paddock Stand Bobbin Set Part No. BA12-10-GBR-SET

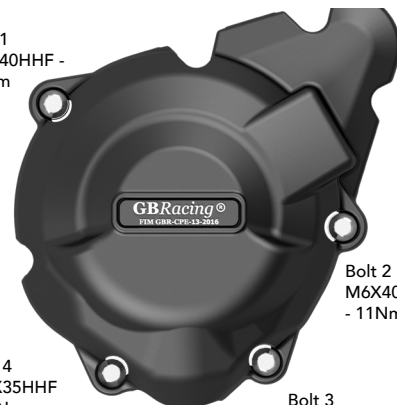


**SECONDARY ALTERNATOR COVER**  
**PART NO. EC-Z1000SX-2016-1-GBR**

1. Remove fairing (if fitted).
2. Remove 4 existing bolts from the stock Alternator cover, shown as position Bolt 1, 2, 3 & 4.
3. Place the Secondary Alternator Cover over the stock cover. *Please Note: Do not remove fairing bracket as GBRacing Secondary Cover will fit over it.*
4. Assemble 4 replacement bolts loosely in the correct positions as shown.
5. Tighten bolts to a Torque of 11Nm as per Manufacturer's recommendations. **DO NOT OVERTIGHTEN.**
6. Replace fairing.



Bolt 1  
M6X40HHF -  
11Nm



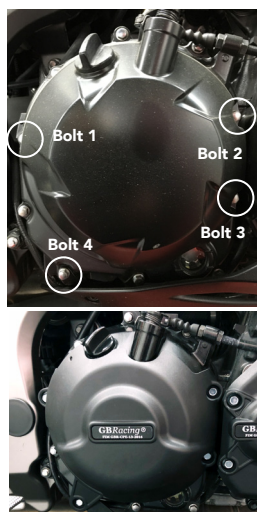
Bolt 2  
M6X40HHF -  
11Nm

Bolt 4  
M6X35HHF -  
11Nm

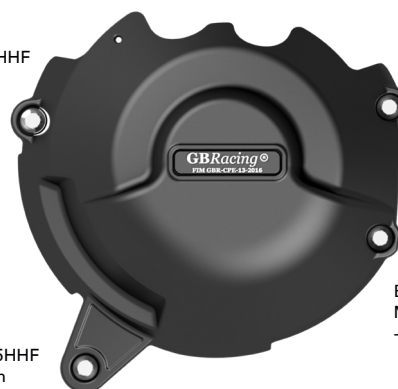
Bolt 3  
M6X40HHF - 11Nm

**SECONDARY CLUTCH COVER**  
**PART NO. EC-Z1000SX-2016-2-GBR**

1. Remove fairing (if fitted).
2. Remove 4 existing bolts from the Clutch cover, shown as position Bolt 1, 2, 3 & 4.
3. Place the Secondary Clutch Cover over the stock cover.
4. Assemble 4 replacement bolts loosely in the correct position as shown.
5. Tighten bolts to a Torque of 11Nm as per Manufacturer's recommendations. **DO NOT OVERTIGHTEN.**
6. Replace fairing.



Bolt 1  
M6X45HHF -  
11Nm



Bolt 2  
M6X35HHF -  
11Nm

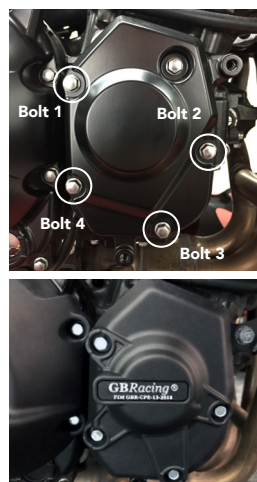
Bolt 4  
M6X35HHF -  
11Nm

Bolt 3  
M6X35HHF -  
11Nm

**SECONDARY PULSE COVER**  
**PART NO. EC-Z1000SX-2016-3-GBR**

**THIS PART DOES NOT FIT 2015-2019 MODELS WITH BELLY PAN. Modified part in development.**

1. Remove fairing (if fitted).
2. Remove 4 existing bolts from the Pulse cover, shown as position Bolt 1, 2, 3 & 4.
3. Place the Secondary Pulse Cover over the stock cover. Assemble 4 replacement bolts loosely in the correct position as shown.
4. Tighten bolts to a Torque of 11Nm as per Manufacturer's recommendations. **DO NOT OVERTIGHTEN.**
5. Replace fairing.



Bolt 1  
M6X35 -  
11Nm



Bolt 2  
M6X35 -  
11Nm

Bolt 4  
M6X35 -  
11Nm

Bolt 3  
M6X35 - 11Nm

PADDOCK STAND / BOBBIN SET  
**PART NO. BA12-10-GBR-SET**

- 1 Assemble the M10 Stainless Steel bolt through the moulded bobbin and the Black Anodised Bush.
- 2 Tighten bolts to the swing arm boss, 8 N/m.  
DO NOT OVERTIGHTEN.

