

THIS SHEET INCLUDES FITTING INSTRUCTIONS FOR THE FOLLOWING PARTS:

Secondary Alternator Cover Part No. EC-RC390-2014-1-GBR /

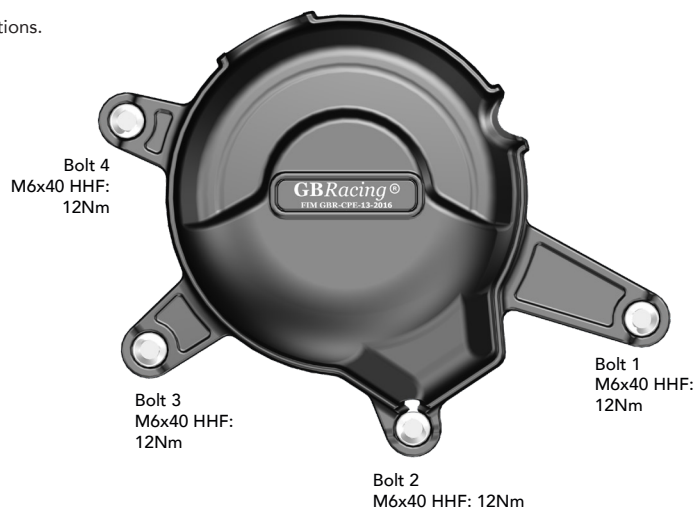
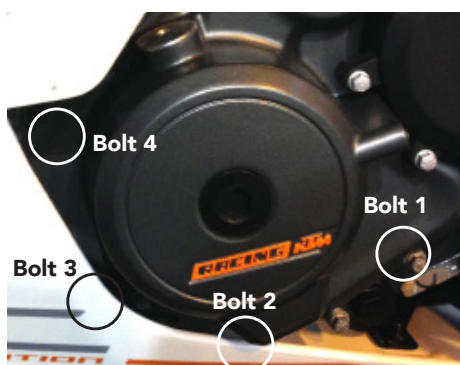
Secondary Clutch Cover Part No. EC-RC390-2014-2-GBR /

Paddock Stand Bobbin Set Part No. BA12-10-1-5-GBR-SET



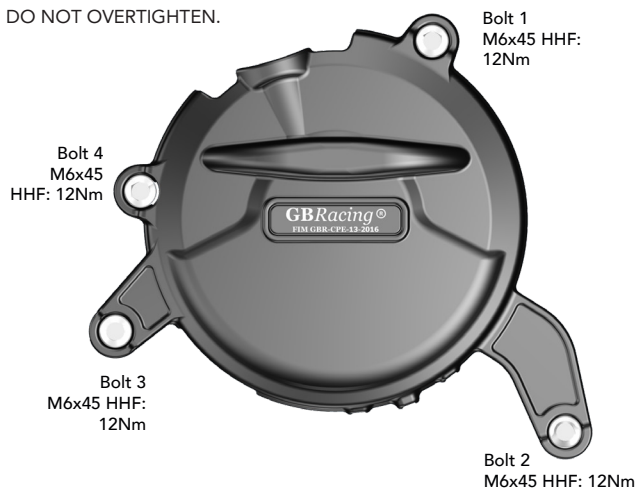
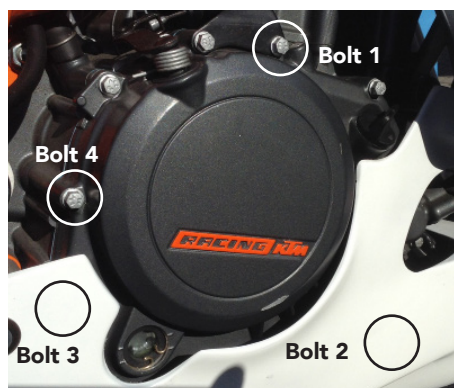
SECONDARY ALTERNATOR COVER PART NO. EC-RC390-2014-1-GBR

- 1 Remove Fairing Bellypan.
- 2 Remove 4 existing bolts from the stock Alternator cover, shown as position Bolt 1, 2, 3 & 4.
- 3 Place the Secondary Alternator Cover over the stock cover.
- 4 Assemble 4 replacement bolts loosely in the correct position as shown.
- 5 Tighten bolts to a Torque of 12Nm as per Manufacturer's recommendations.
DO NOT OVERTIGHTEN.
6. Replace Fairing Bellypan.



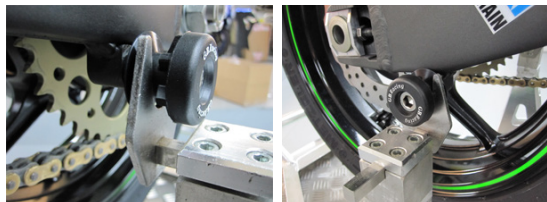
SECONDARY CLUTCH COVER PART NO. EC-RC390-2014-2-GBR

- 1 Remove Fairing Bellypan.
- 2 Remove 4 existing bolts from the stock Clutch cover, shown as position Bolt 1, 2, 3 & 4.
- 3 Place the Secondary Clutch Cover over the stock cover.
- 4 Assemble 4 replacement bolts loosely in the correct position as shown.
- 5 Tighten bolts to a Torque of 12Nm as per Manufacturer's recommendations. DO NOT OVERTIGHTEN.
- 6 Replace Fairing Bellypan.



PADDOCK STAND / BOBBIN SET PART NO. BA12-10-1-5-GBR-SET

- 1 Assemble the M10 Stainless Steel bolt through the moulded bobbin and the Black Anodised Bush.
- 2 Tighten bolts to the swing arm boss, 8 N/m. DO NOT OVERTIGHTEN.



www.GBRacing.eu

Engine Cover Set: EC-RC390-2014-SET-GBR
EC-RC390-2014-1-GBR, EC-RC390-2014-2-GBR