



959 2016 - Race Only

# FITTING INSTRUCTIONS TO BE FITTED BY A QUALIFIED TECHNICIAN



THIS SHEET INCLUDES FITTING INSTRUCTIONS FOR THE FOLLOWING PARTS:

Secondary Alternator Cover Part No. EC-899-2014-1-GBR / Secondary Clutch Cover Part No. EC-1199-2012-2-GBR



## SECONDARY ALTERNATOR COVER PART NO. EC-899-2014-1-GBR

1. Remove the left hand side fairing panel.
2. Remove the 4 standard bolts as shown in Fig 1.
3. Place the secondary alternator cover against the standard alternator.
4. Insert the 4 supplied bolts and tighten to 8Nm as per Manufacturer's recommendations.  
DO NOT OVERTIGHTEN
5. Replace the left hand side fairing panel.

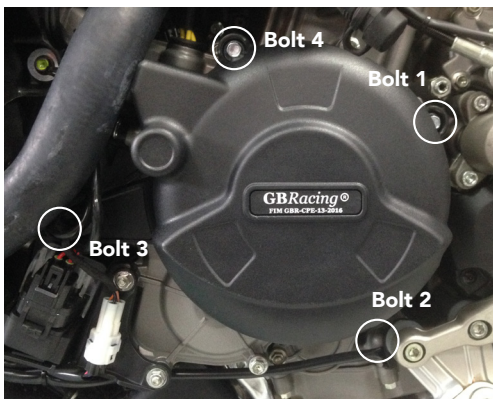
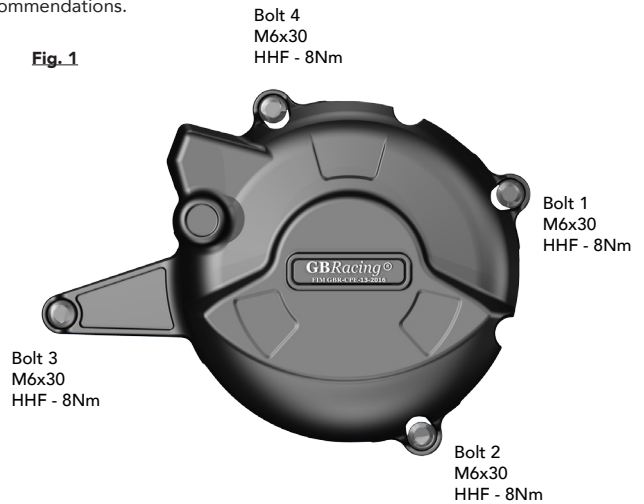
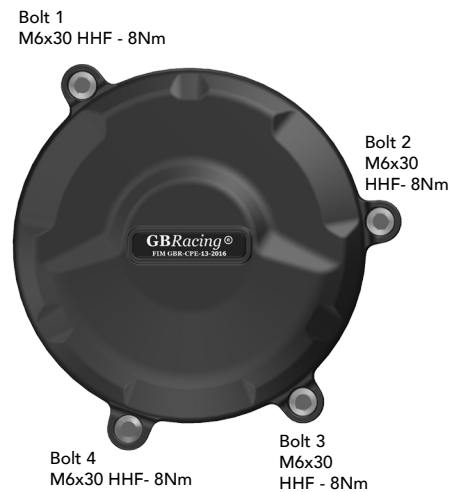
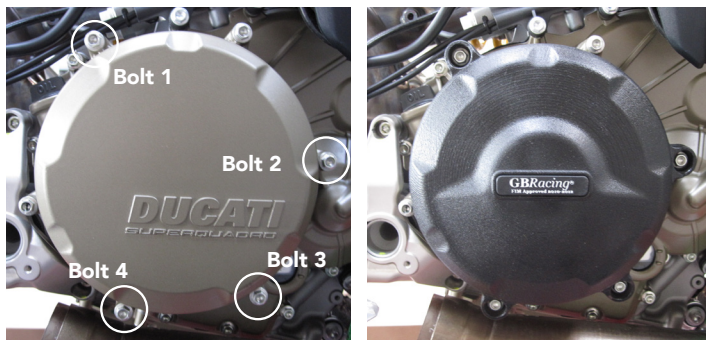


Fig. 1



## SECONDARY CLUTCH COVER PART NO. EC-1199-2012-2-GBR

1. Remove right hand side fairing panel.
2. Remove 4 existing bolts from the Clutch cover, shown as position Bolt 1, 2, 3 & 4.
3. Place the Secondary Clutch Cover over the stock cover.
4. Assemble 4 replacement bolts loosely in the correct position as shown.  
Note: Must use thread lock
5. Tighten bolts to a Torque of 8Nm as per manufacturer's recommendations.  
DO NOT OVERTIGHTEN.
6. Replace right hand side fairing panel.



**Engine Cover Set: EC-959-2016-SET-GBR**

EC-899-2014-1-GBR, EC-1199-2012-2-GBR

[www.GBRacing.eu](http://www.GBRacing.eu)

DO NOT use these products unless you agree to our Terms & Conditions, as shown on our paperwork and website. If you do not agree, please return the product(s) to your dealer for a refund.