



523650 Kawasaki Z650 / Z650RS / Ninja 650 Radiator Guard Fitting Instructions

Kit Includes:

1X	C523650	Radiator Guard
8X	CWASM60004	M6 Plastic Washer
4X	CBOLM60001	M6 Black Dome Head Bolt
4X	CNUTM60003	M6 Nyloc Nut
6X	CRUB0006	Small Rubber Foot

- The Pyramid radiator guard is simple to fit.
- The small rubber feet supplied in this fitting kit can be attached to the back of the radiator guard to prevent any marking/scratches to the OEM radiator.
- Attach the radiator guard using the rest of the fittings supplied - see image below.
- Check fittings periodically.

Any questions?

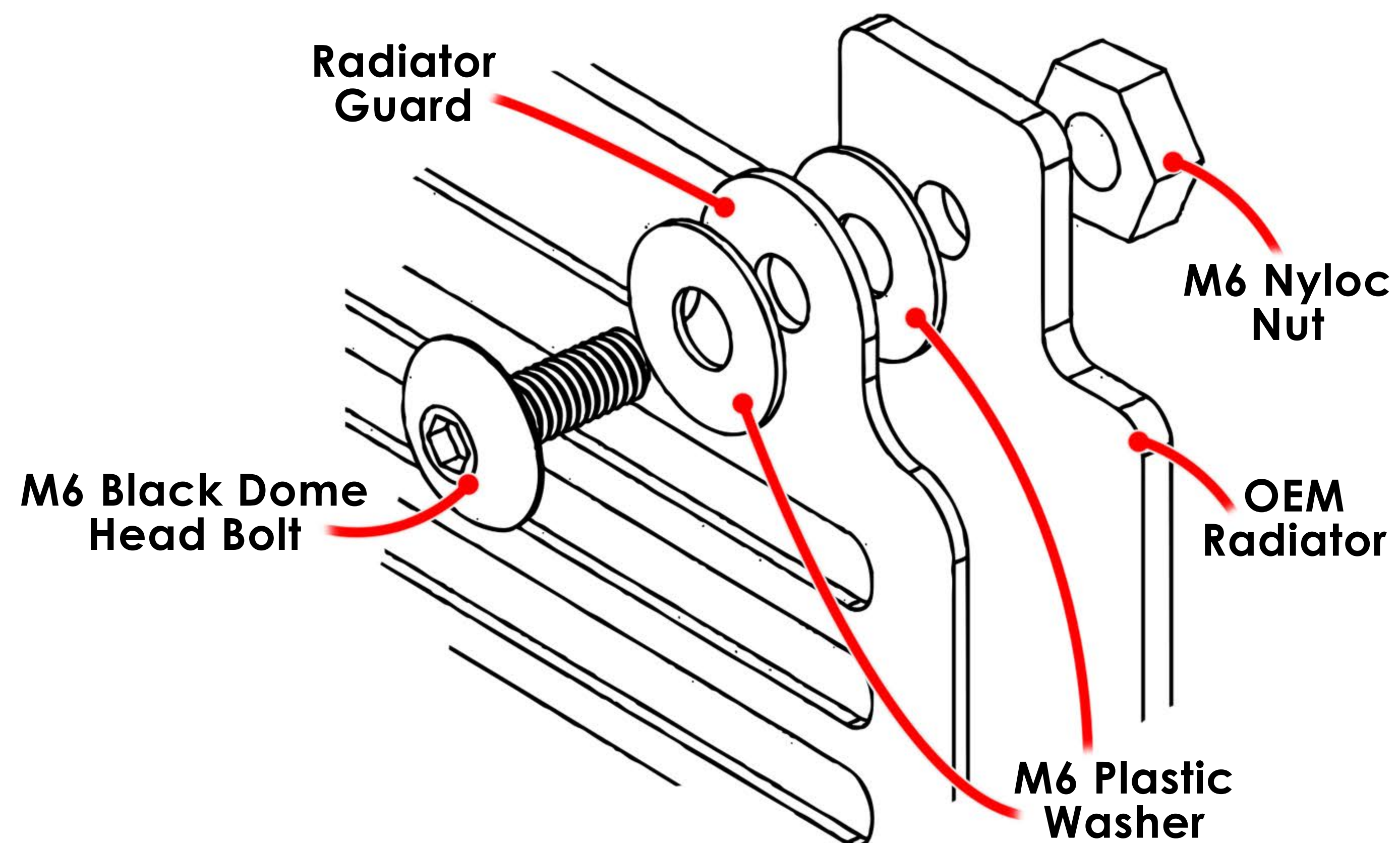
sales@pyramid-plastics.co.uk

+44 (0)1427 677990

www.pyramid-plastics.co.uk



Follow us on social media and feel free to leave us a review!



523650 Kawasaki Z650 / Z650RS / Ninja 650 Radiator Guard Fitting Instructions

Kit Includes:

1X	C523650	Radiator Guard
8X	CWASM60004	M6 Plastic Washer
4X	CBOLM60001	M6 Black Dome Head Bolt
4X	CNUTM60003	M6 Nyloc Nut
6X	CRUB0006	Small Rubber Foot

- The Pyramid radiator guard is simple to fit.
- The small rubber feet supplied in this fitting kit can be attached to the back of the radiator guard to prevent any marking/scratches to the OEM radiator.
- Attach the radiator guard using the rest of the fittings supplied - see image below.
- Check fittings periodically.

Any questions?

sales@pyramid-plastics.co.uk

+44 (0)1427 677990

www.pyramid-plastics.co.uk



Follow us on social media and feel free to leave us a review!

