

Kit Includes:

- 1X Tail Tidy
- 1X Rubber Bung
- 4X M6 Stainless Bolt
- 4X M6 Stainless Washer
- 8X M6 Nyloc Nut
- 4X Aftermarket Indicator Adapter
- 2X Ring Adapters (for use with OEM indicators)
- 5X Cable Tie
- 1X LED Number Plate Light + bullet connectors
- 1X Reflector Dot

Fitting this tail tidy is simple - if in any doubt, seek help from a qualified mechanic.

- Remove the seat.
- Remove the three bolts shown in **Fig 1**.
- Remove the four bolts (2 each side) shown in **Fig 1**.
- Remove the four bolts securing the seat lock bracket **Fig 2**.
- Disconnect both indicator and number plate light wiring sockets. Be sure to make a note of where each wire is connected for future reference.
- Remove the four nuts securing the OEM number plate holder. Take care with the wiring when removing the OEM number plate holder.

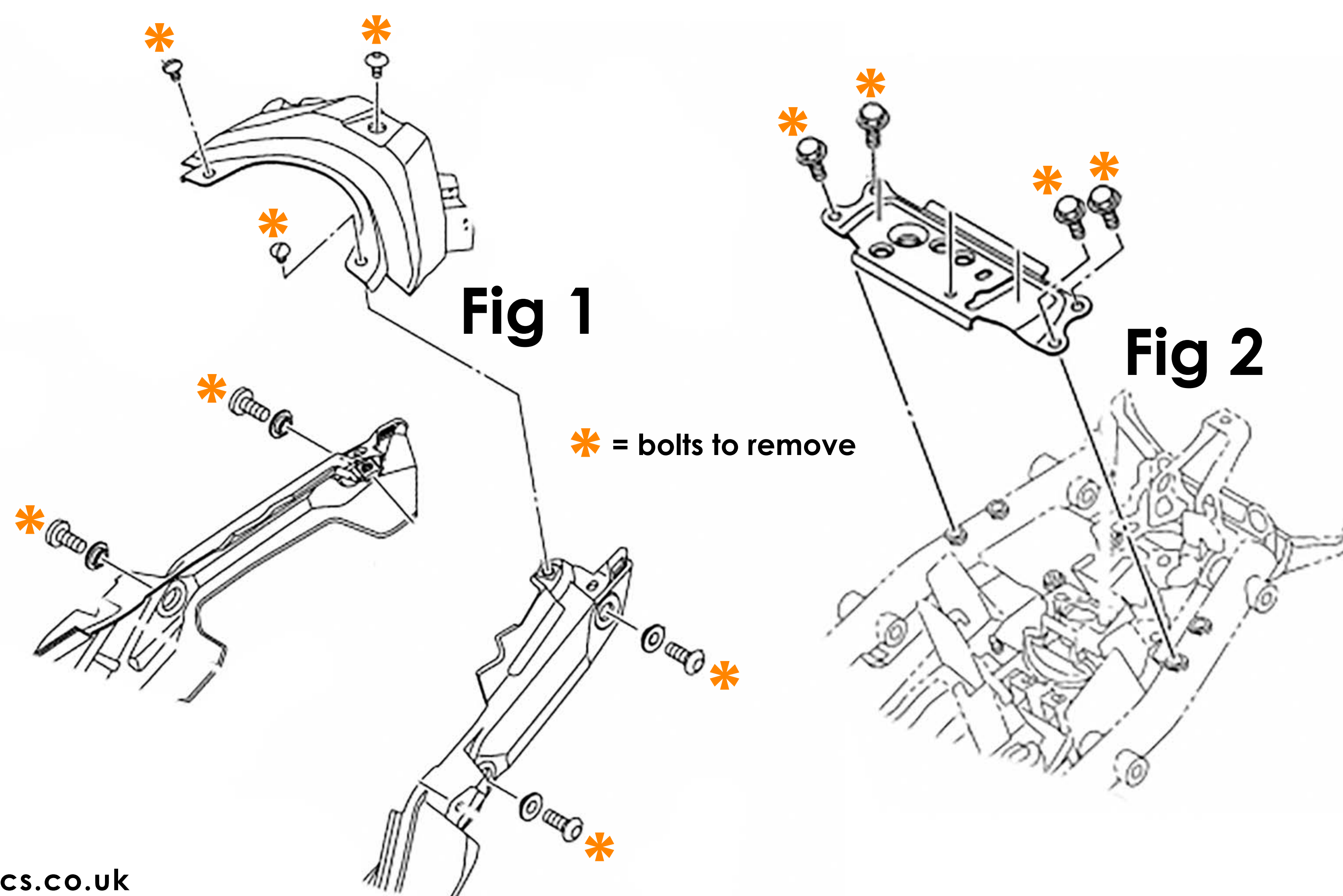
Re-using OEM indicators?

Remove the OEM indicators from the OEM tail unit. Fit the OEM indicators to the tail tidy using the ring adapters supplied.

Using aftermarket indicators?

The aftermarket indicator adapters supplied can be used in this instance.

- Fit the LED number plate light to the tail tidy. Fit the tail tidy using the M6 bolts, washers and nyloc nuts supplied. Route the wiring back into the bike.
- To connect the new LED number plate light the OEM number plate light wiring will have to be cut and connected. The OEM wiring plug socket can be reused if you cut the connector from the OEM number plate wiring and crimp the supplied bullet connectors. Be sure to measure the wiring before cutting. Now is a good time to check that the lights are working correctly before proceeding to the next step.
- Attach all the wiring. Re-fit the seat lock bracket. Re-fit both rear side panels. Fit the number plate to the tail tidy.
- It is important to check that the clearance between the bike and the tail tidy is sufficient. Ensure that passengers/luggage/suspension adjustment will not cause any contact.
- The rubber bung supplied can be used to protect the key lock.
- Check fixings periodically.



Any questions?
sales@pyramid-plastics.co.uk
+44 (0)1427 677990
www.pyramid-plastics.co.uk



Follow us on social media and feel free to leave us a review!