



## 35100 NC700/750 2012>2020 Centre Stand Fitting Instructions

### Kit Includes:

1X	***	Centre Stand Frame
1X	***	Centre Stand Shaft
1X	***	Large Spring
1X	***	Small Spring
1X	***	Round Rubber Foot
1X	***	Spring Hook
1X	***	M6 X 20mm Socket Screw
1X	CAB0370	Cable Tie Puller (to assist with attaching the springs)

**Please note: We cannot guarantee compatibility of this item with aftermarket parts like Exhaust Systems and Belly Pans/Sump Guards**

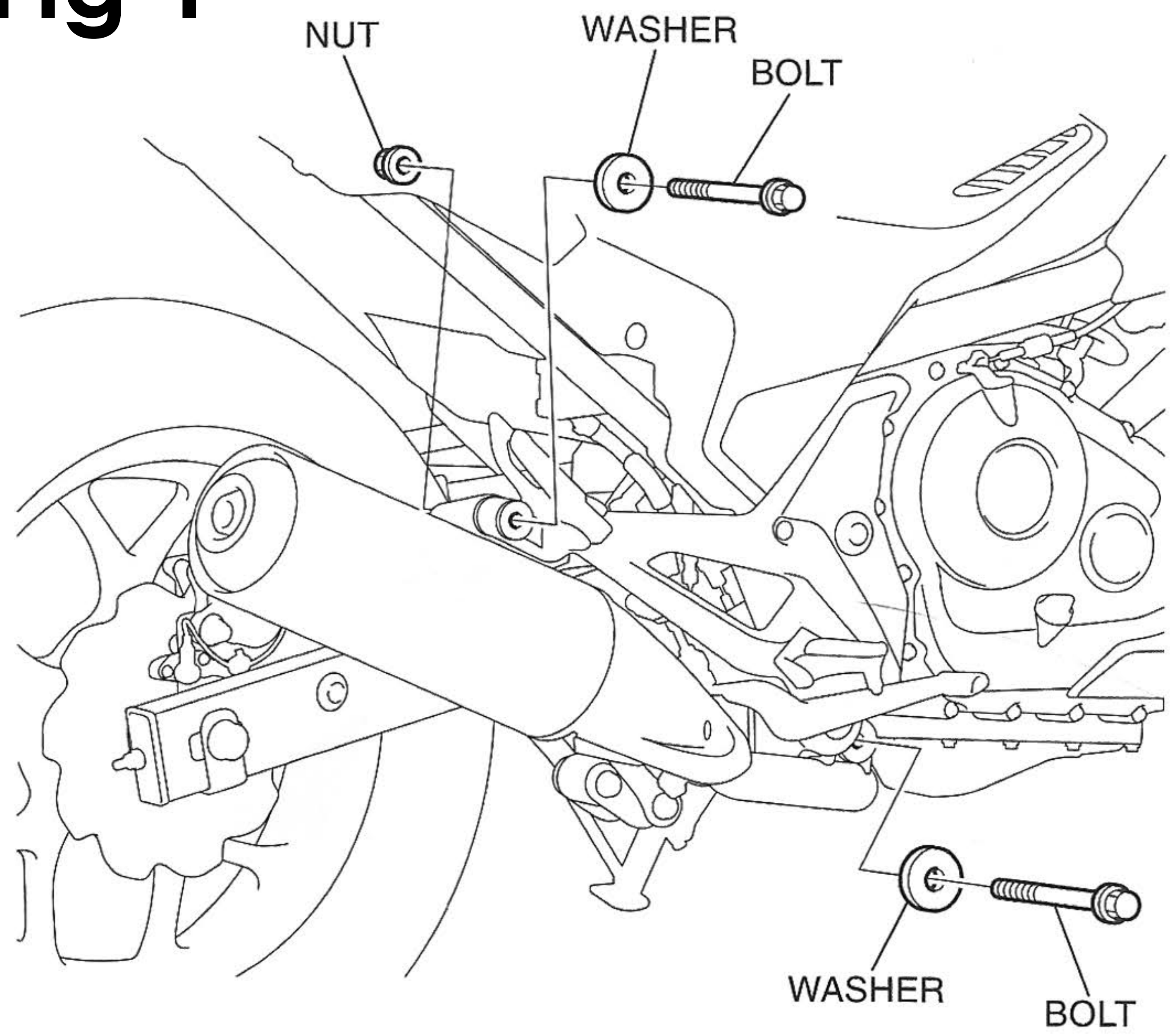
- Put the bike on a paddock stand if you have one.
- Remove the exhaust as shown in Fig 1
- Attach the Spring Hook, as in fig 2
- Install the Round Rubber Foot on the Centre Stand Frame
- Apply grease to the Centre Stand Shaft.
- Install Main Stand and Shaft, as shown in Fig 3. Fully tighten the M6 x 20 shaft fixing screw.
- Grease only the wound coils of the smaller spring and slide it inside the larger spring.
- Attach the springs to the Spring Hook end first, as in Fig 4.
- Join the Cable Tie Puller just sufficiently for the teeth of the tie to connect - leaving the tie as open as possible.
- Attach the tie to the end of the smaller spring and wearing a padded motorcycle glove, or similar (whilst seated on the floor) pull the spring hard - Try to support the Centre Stand Frame in a roughly horizontal position during installation - You may need a second person ready with pliers or grips to guide the spring end onto the Centre Stand hook.
- With the smaller spring installed cut the cable tie near the correct side where it is connected together - to be able to re-connect it for the second pull on the larger spring.
- Having re-connected the cable tie repeat the process, to attach the larger spring.
- These springs are strong. If you cannot extend the springs sufficiently by the above method try the following:
- Using a ratchet tie-down strap attach one end to the looped cable tie. Then with the machine facing away from a suitable fixed upright i.e a fence post, attach the other end of the tie-down to that fixed upright. Remove the slack in the tie-down and then use the ratchet to extend and attach each spring in turn.

Any questions?  
sales@pyramid-plastics.co.uk  
+44 (0)1427 677990  
www.pyramid-plastics.co.uk

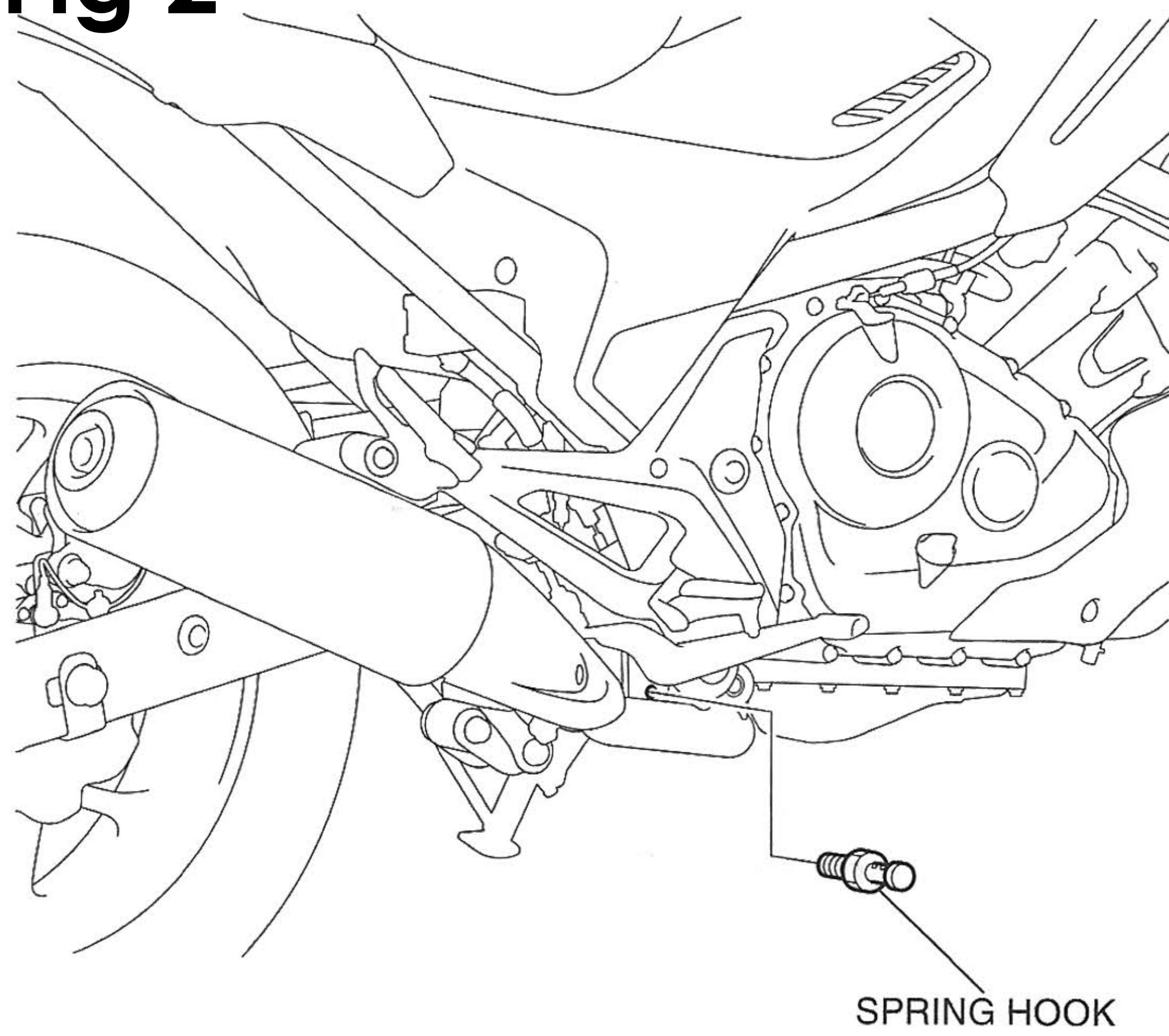


Follow us on social media and  
feel free to leave us a review!

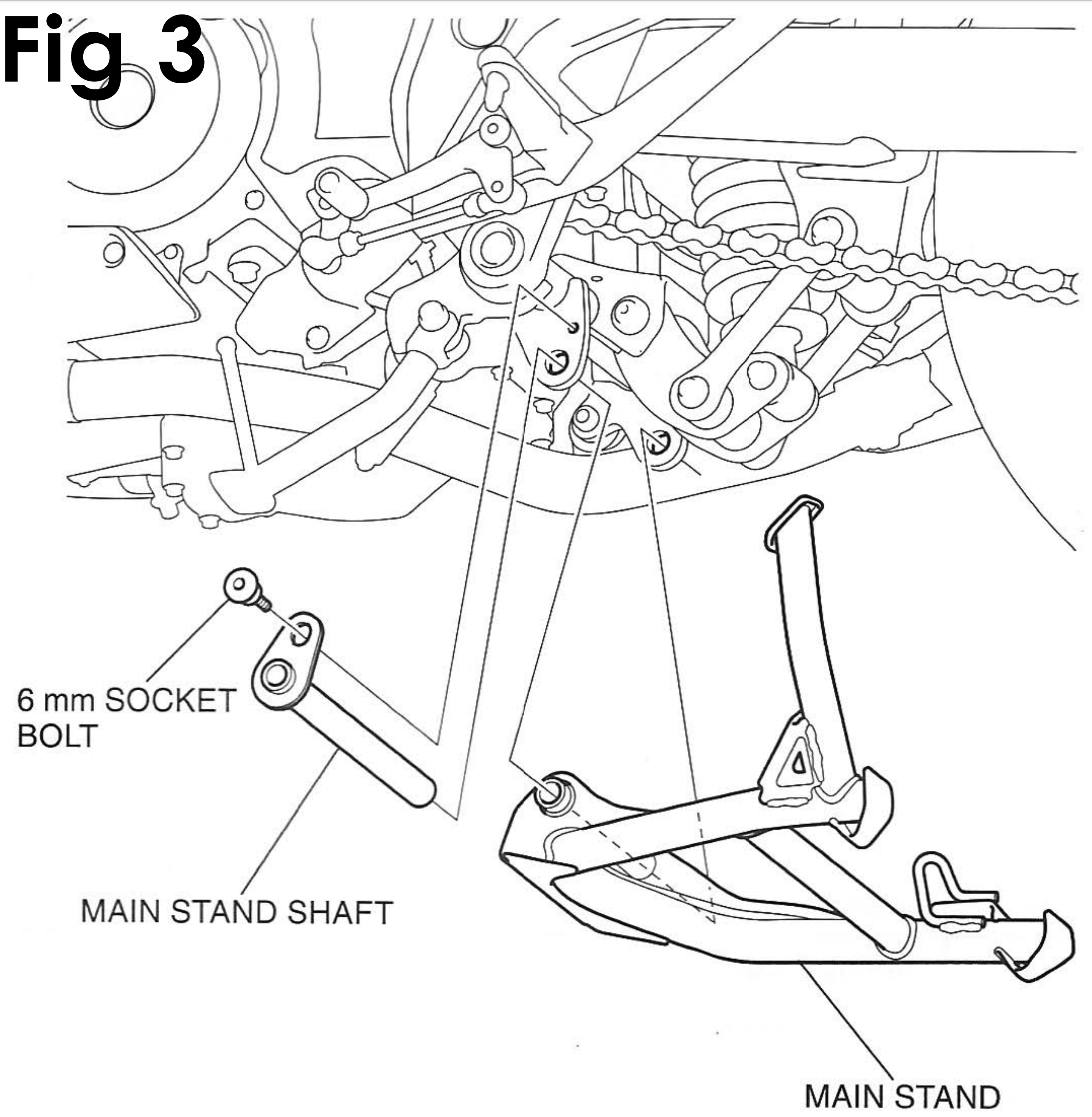
**Fig 1**



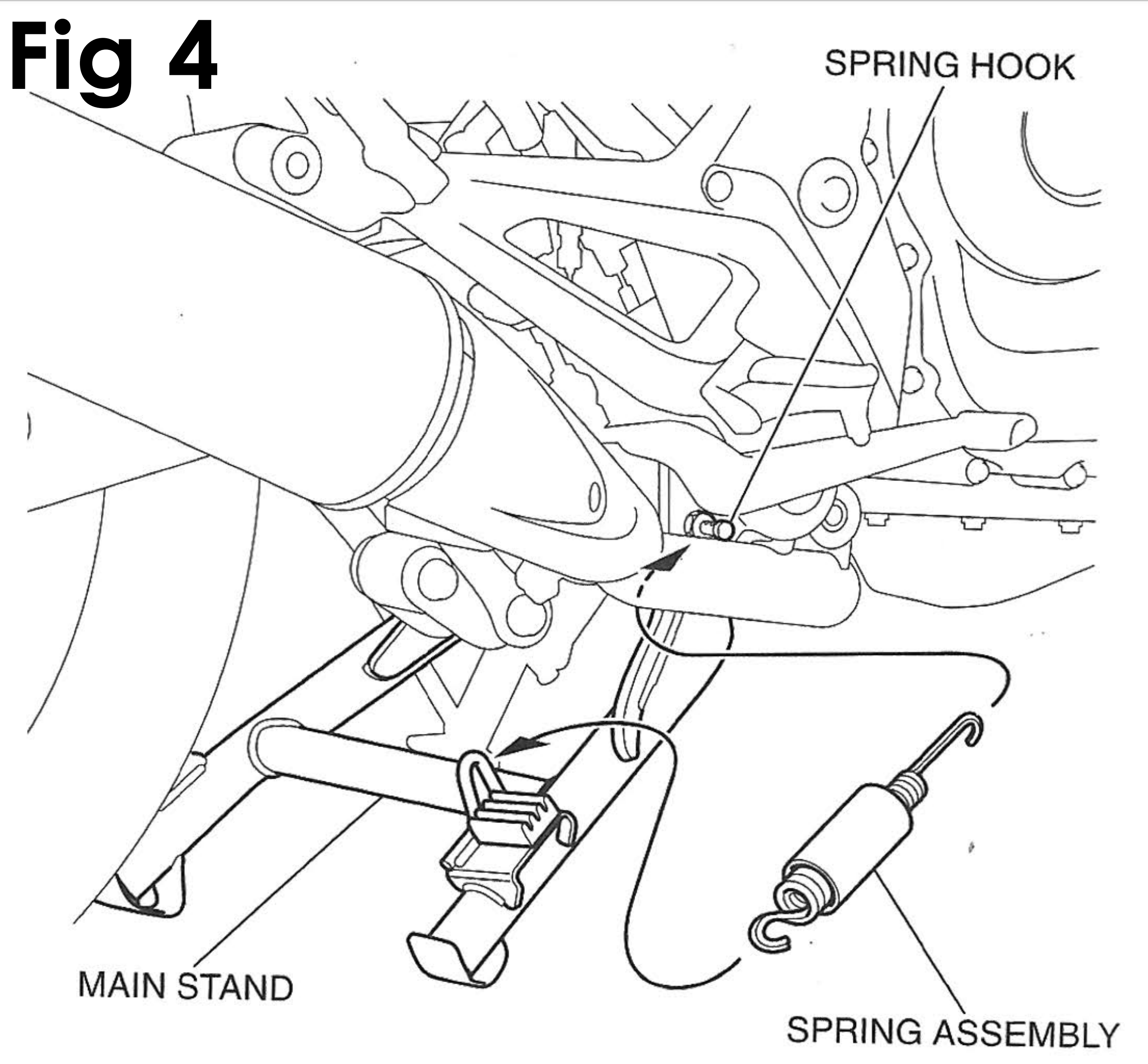
**Fig 2**



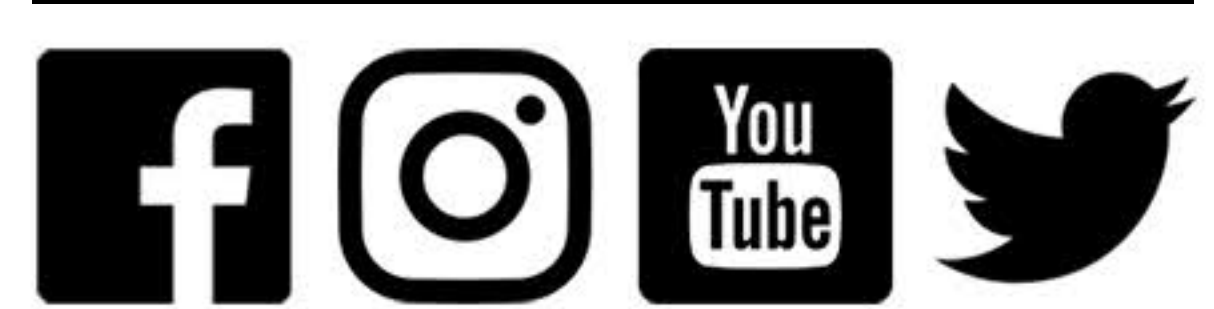
**Fig 3**



**Fig 4**



Any questions?  
sales@pyramid-plastics.co.uk  
+44 (0)1427 677990  
www.pyramid-plastics.co.uk



Follow us on social media and  
feel free to leave us a review!