



33000 Kawasaki H2 SX GP Wings Fitting Instructions

Kit Includes:

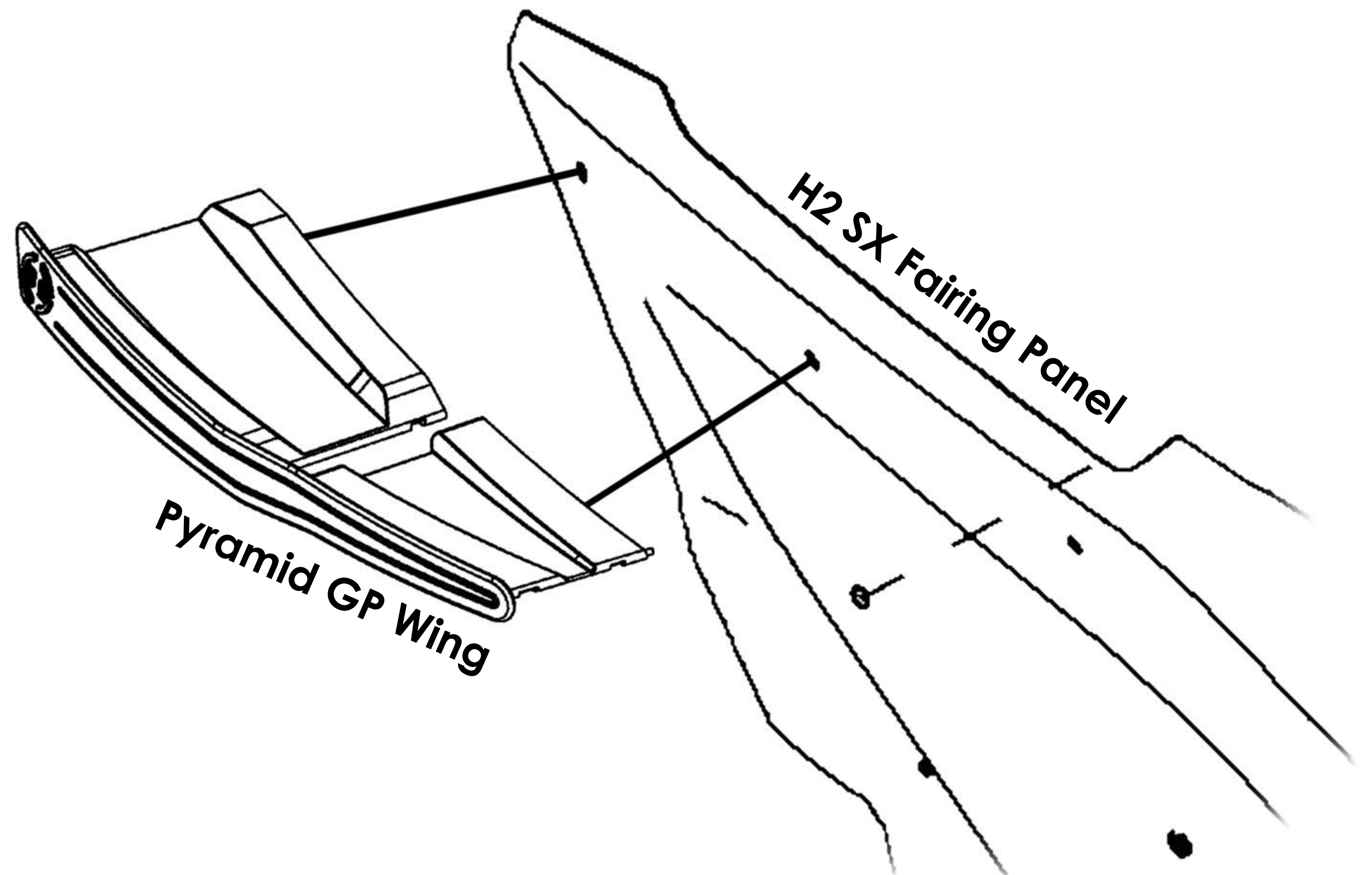
1X C33000 Mouldings (pair)
4X CBOLM50013 M5 X 20mm Bolt
4X CWASM50001 M5 Plastic Washer

- The Pyramid GP Wings are simple to fit. Simply remove the forward two OEM bolts from the side fairing on each side of the bike and fit the Pyramid GP Wings as shown in the diagram below. Extended M5 X 20mm bolts are supplied as well as washers to go under the head of the bolts.

Any questions?
sales@pyramid-plastics.co.uk
+44 (0)1427 677990
www.pyramid-plastics.co.uk



Follow us on social media and
feel free to leave us a review!



33000 Kawasaki H2 SX GP Wings Fitting Instructions

Kit Includes:

1X C33000 Mouldings (pair)
4X CBOLM50013 M5 X 20mm Bolt
4X CWASM50001 M5 Plastic Washer

- The Pyramid GP Wings are simple to fit. Simply remove the forward two OEM bolts from the side fairing on each side of the bike and fit the Pyramid GP Wings as shown in the diagram below. Extended M5 X 20mm bolts are supplied as well as washers to go under the head of the bolts.

Any questions?
sales@pyramid-plastics.co.uk
+44 (0)1427 677990
www.pyramid-plastics.co.uk



Follow us on social media and
feel free to leave us a review!

