

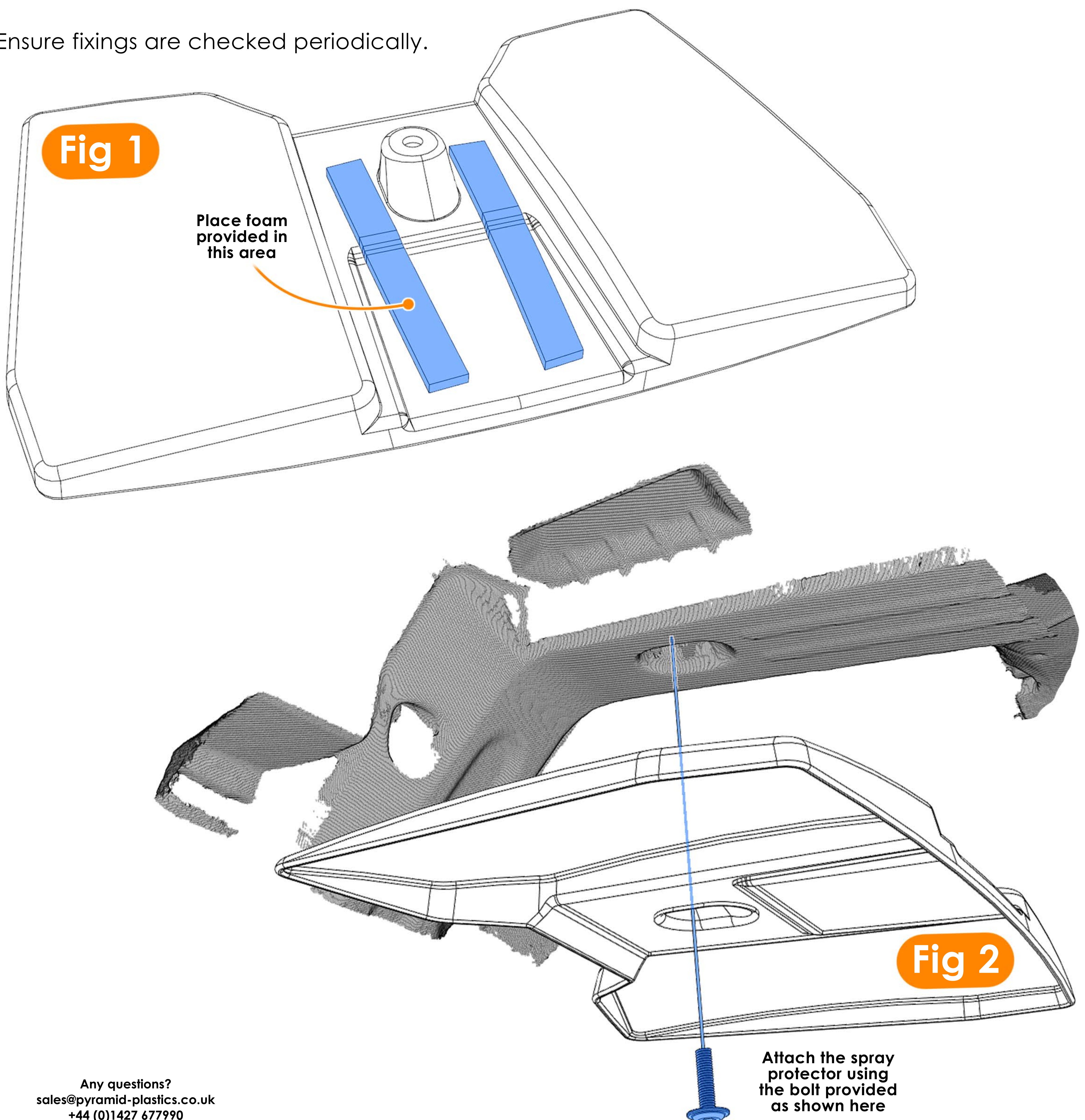
## 31913 Honda MSX125 Rear Splash Protector Fitting Instructions

### Kit Includes:

1X	C31913	Moulding
1X	CBOLM60009	M6 X 20mm Bolt
2X	CFOA0001	Foam Strip 20mm X 1.5mm (cut to 100mm in length)

**We recommend the use of thread locking fluid when fitting this product.  
A small amount of thread locking fluid on the bolt supplied is sufficient.**

- The Pyramid rear splash protector is simple to fit.
- Remove the backing from the foam strips provided and fit them as shown in **Fig 1**.
- Remove the central bolt from the underside of the plate holder. Fit the splash protector as shown in **Fig 2** using the bolt provided.
- Ensure fixings are checked periodically.



Any questions?  
sales@pyramid-plastics.co.uk  
+44 (0)1427 677990  
www.pyramid-plastics.co.uk

