

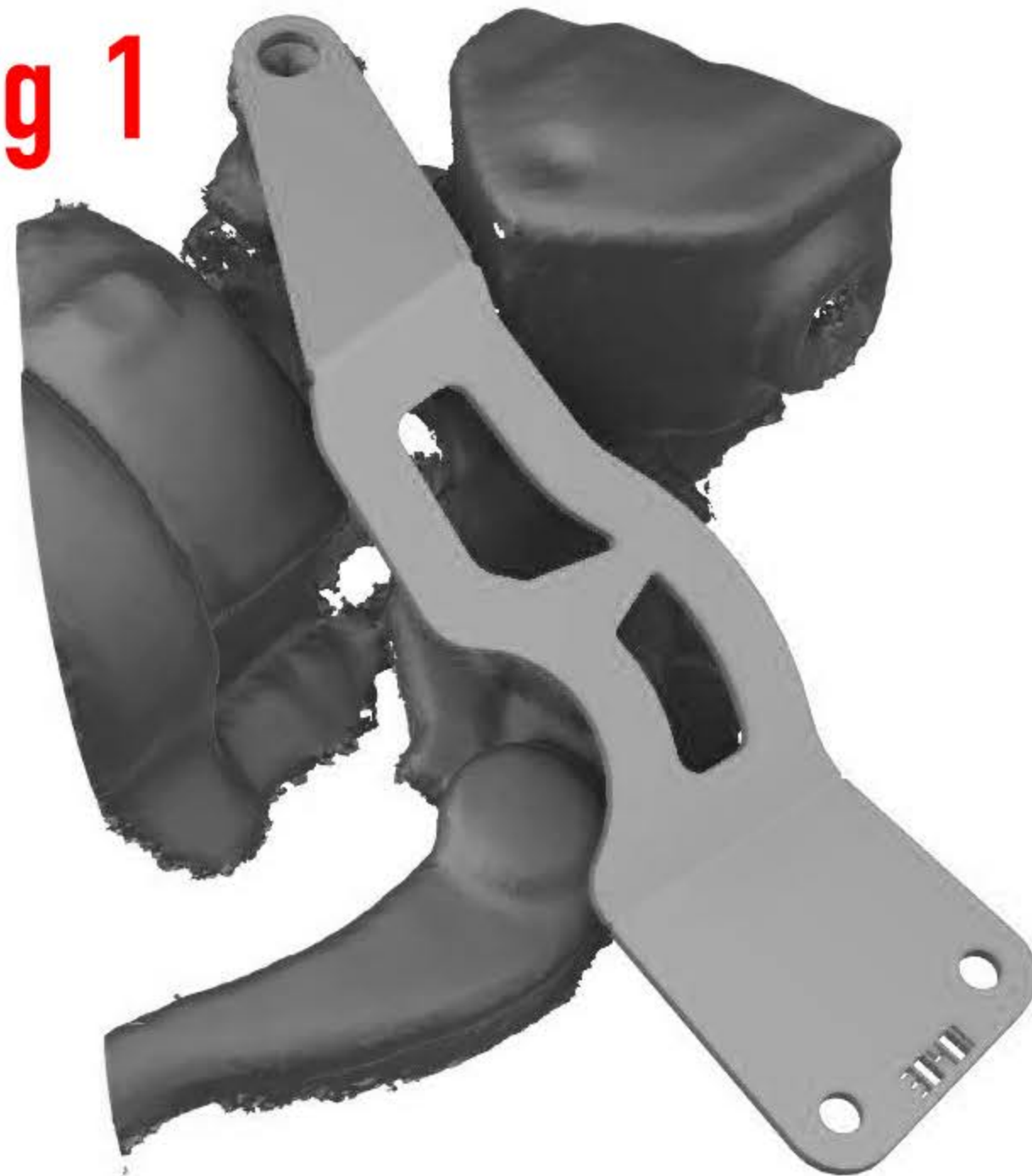
## 30401 BMW F900R Handguards Fitting Instructions

### Kit Includes:

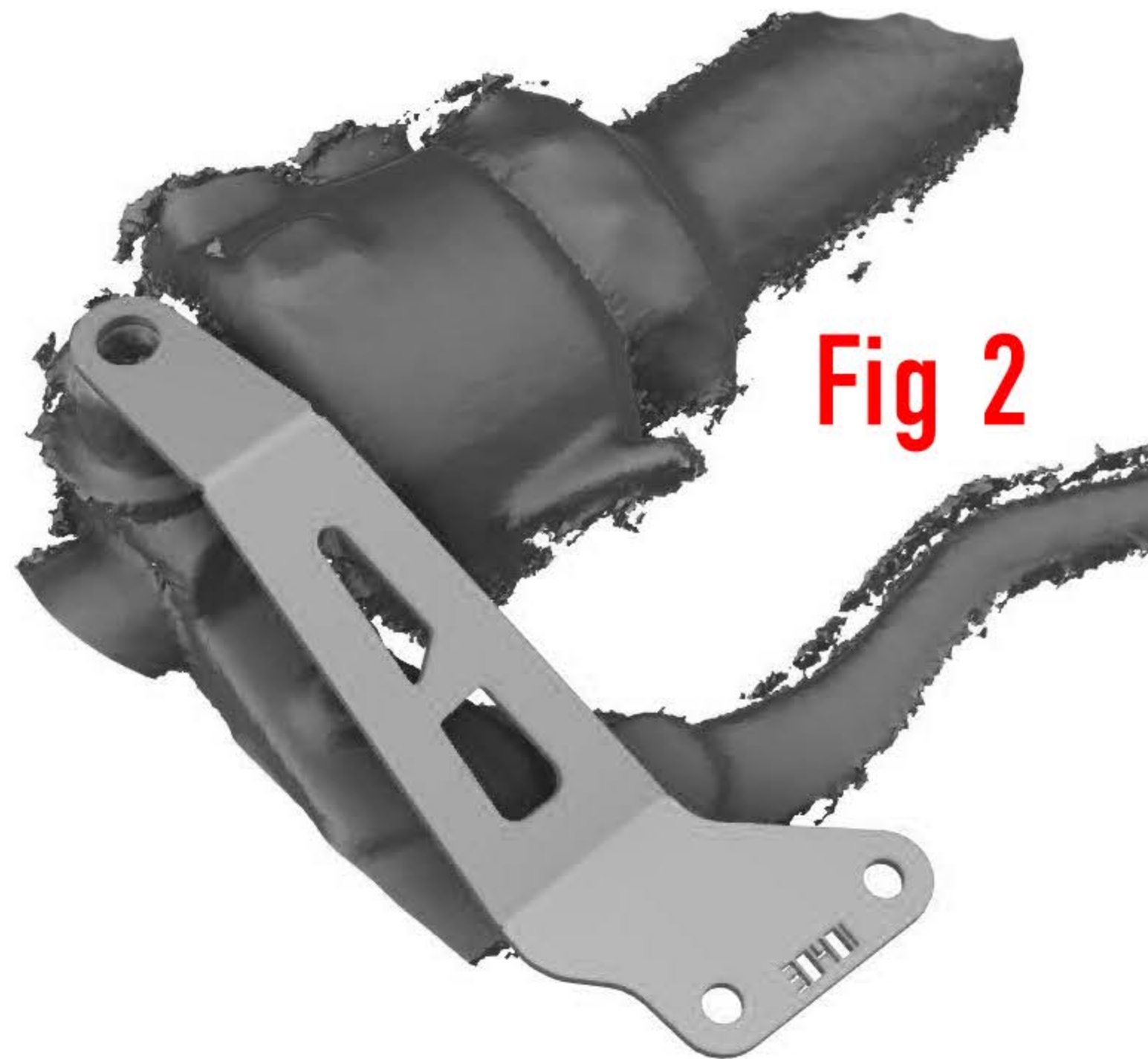
2X	C30203	Handguards (pair)
2X	CFK30401	Brackets (pair)
2X	CSPAM80006	Spacer
4X	CBOLM50007	M5 X 16mm Bolt
4X	CNUTM50002	M5 Nyloc Nut
4X	CSPAM50003	M5 Collar

- Remove the bar ends from both sides of the handlebars.
- Remove the mirrors from the motorcycle.
- Loosely attach the brackets to each mirror mounting - the smaller bracket is fitted on the left-hand side of the motorcycle (**see Fig 1 & 2**).
- Loosely attach the handguards to the bar ends as shown in **Fig 3**.
- Loosely attach the brackets to the handguards using the M5 fittings supplied (**see Fig 4**).
- Now tighten all of the fixing points and adjust the mirror mounting points if required - this can be achieved by adjusting the two nuts on the mounting point of the mirrors.
- Check fixings periodically.

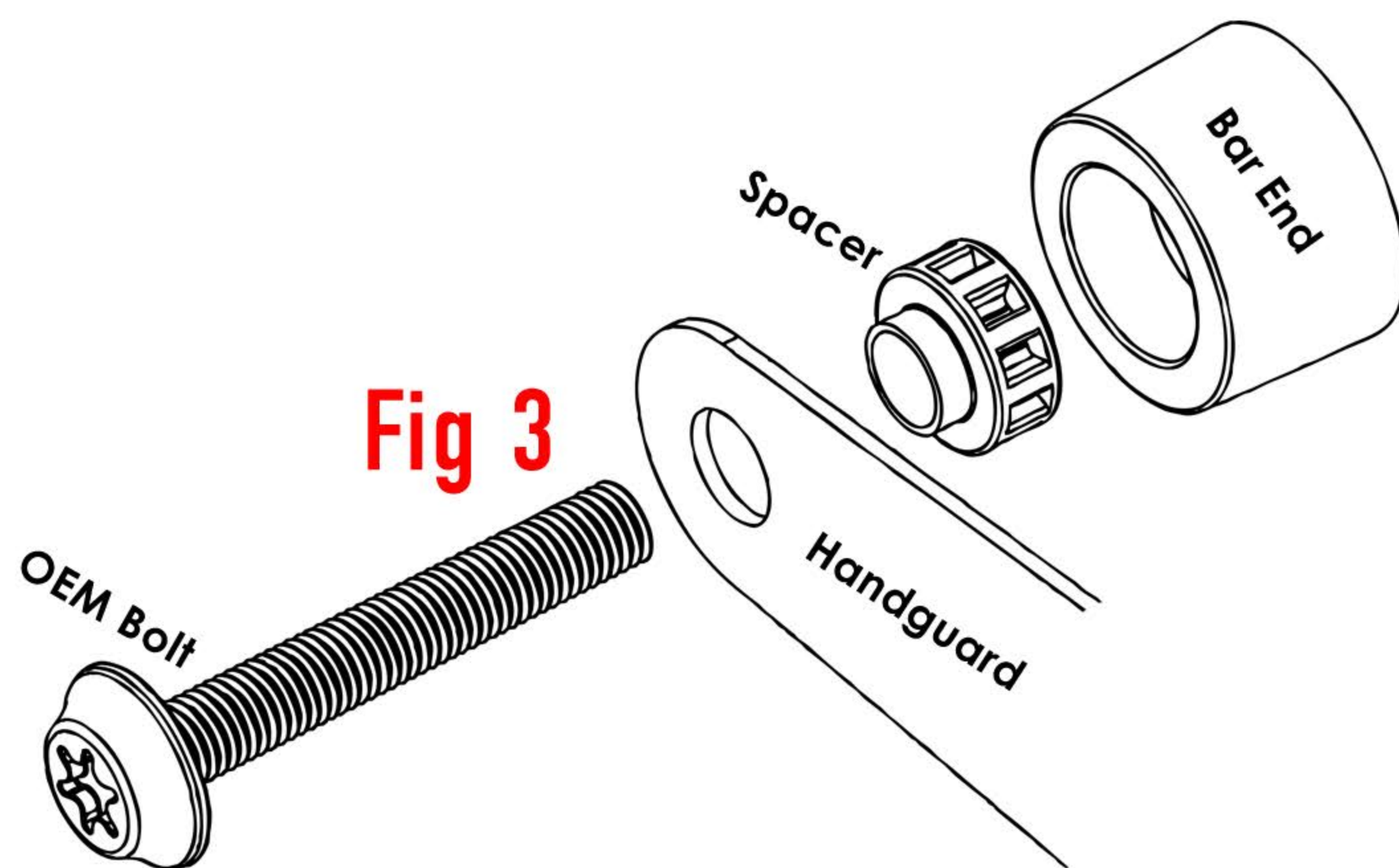
**Fig 1**



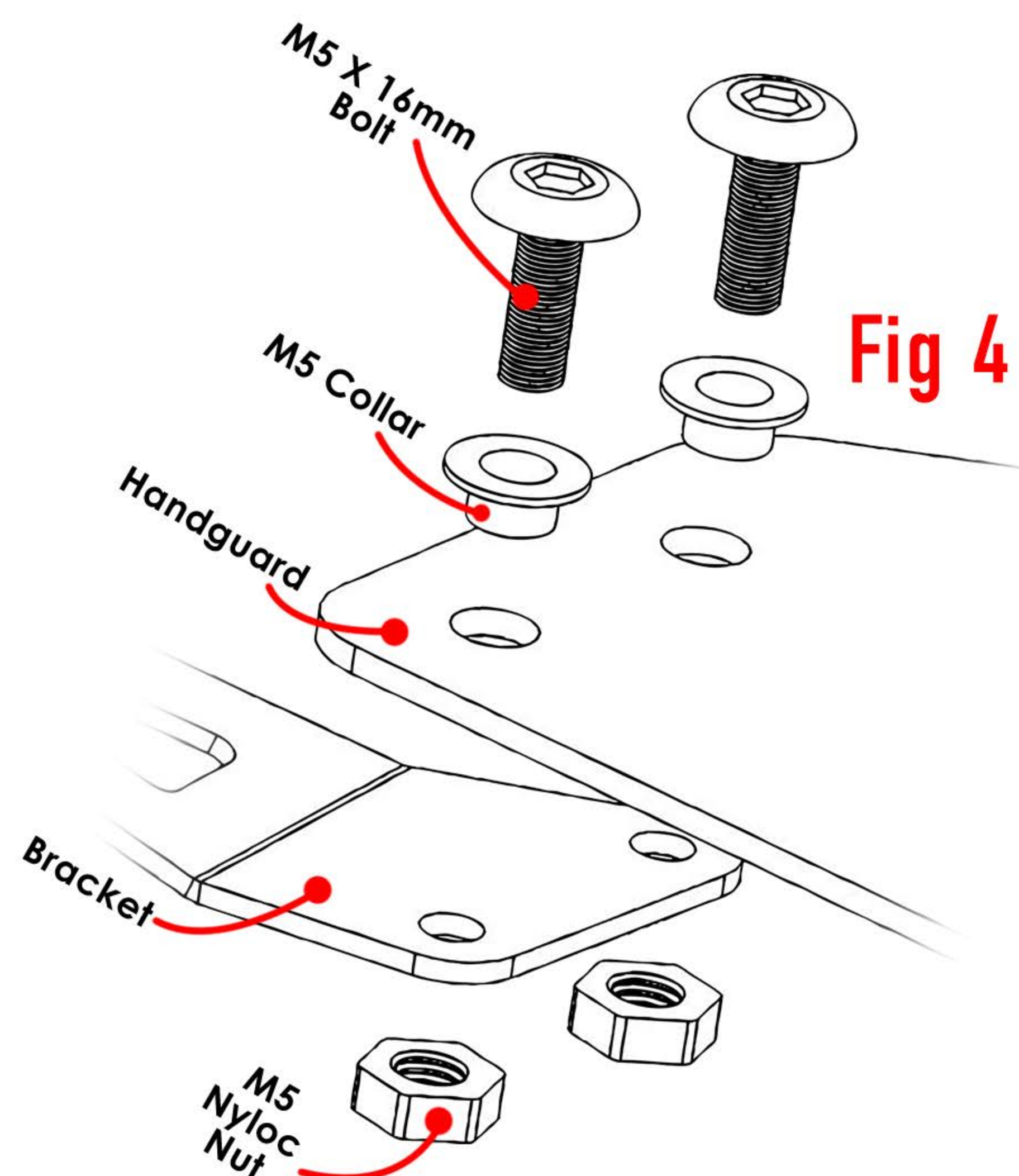
**Fig 2**



**Fig 3**



**Fig 4**



Any questions?  
[sales@pyramid-plastics.co.uk](mailto:sales@pyramid-plastics.co.uk)  
 +44 (0)1427 677990  
[www.pyramid-plastics.co.uk](http://www.pyramid-plastics.co.uk)



Follow us on social media and  
 feel free to leave us a review!