

30199 Honda NC750X Handguards Fitting Instructions

Kit Includes:

2X	C30203	Handguards (pair)
2X	CFK30199	Brackets (pair)
2X	CWASM60006	M6 Countersunk Washer
4X	CBOLM50007	M5 X 16mm Bolt
4X	CNUTM50002	M5 Nyloc Nut
4X	CSPAM50003	M5 Collar

- Remove both mirrors.
- Loosely attach the brackets underneath the mirror mounting points (see Fig 1 & 2).
- Loosely attach the handguards and bar ends (see Fig 3 for sequence).
- Loosely attach the brackets to the handguards using the M5 fittings supplied (see Fig 4).
- Now tighten all of the fixing points and adjust the mirrors if needed - this can be achieved by adjusting the two nuts on the mounting point of the mirror.
- Check fixings periodically.

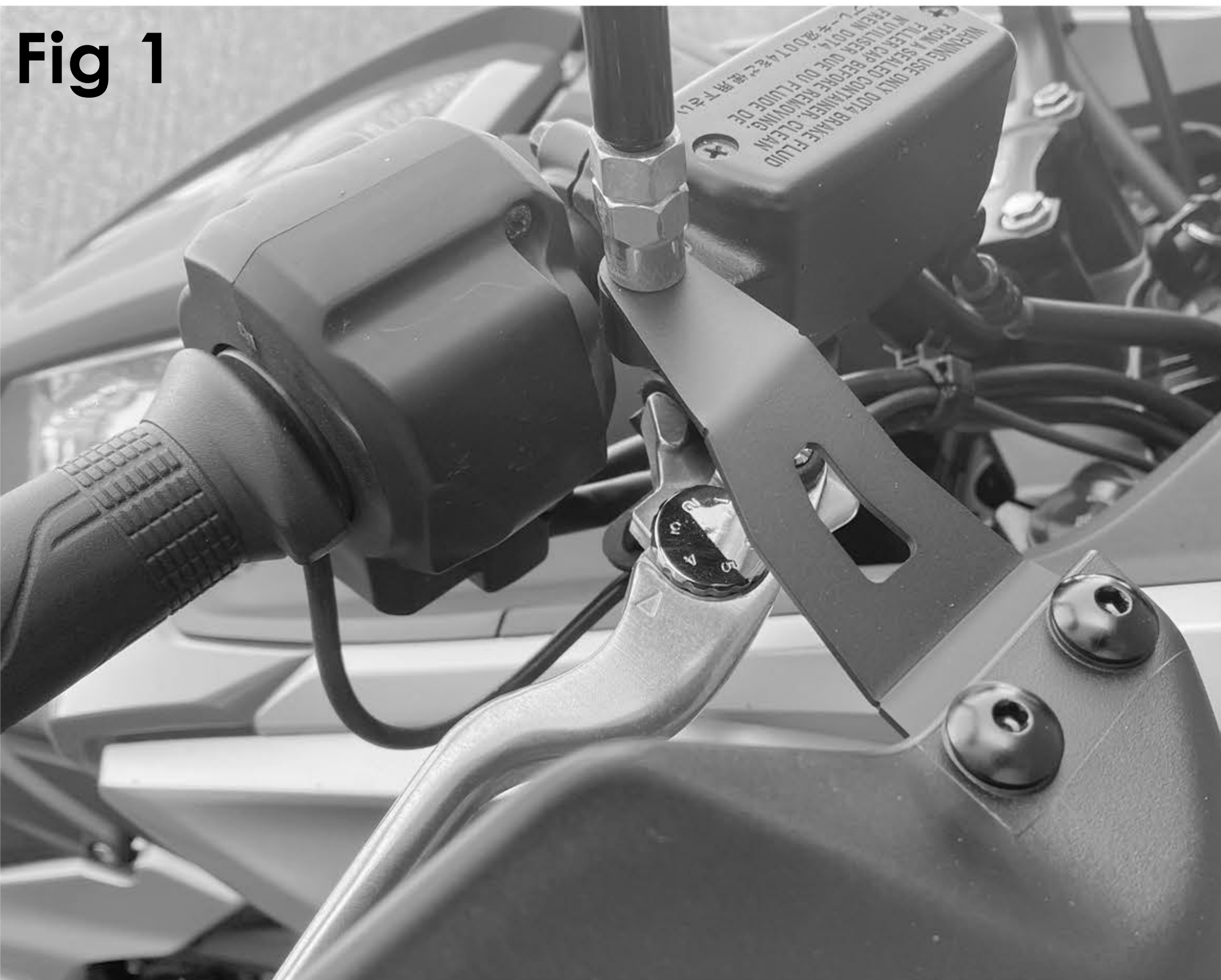


Fig 1



Fig 2

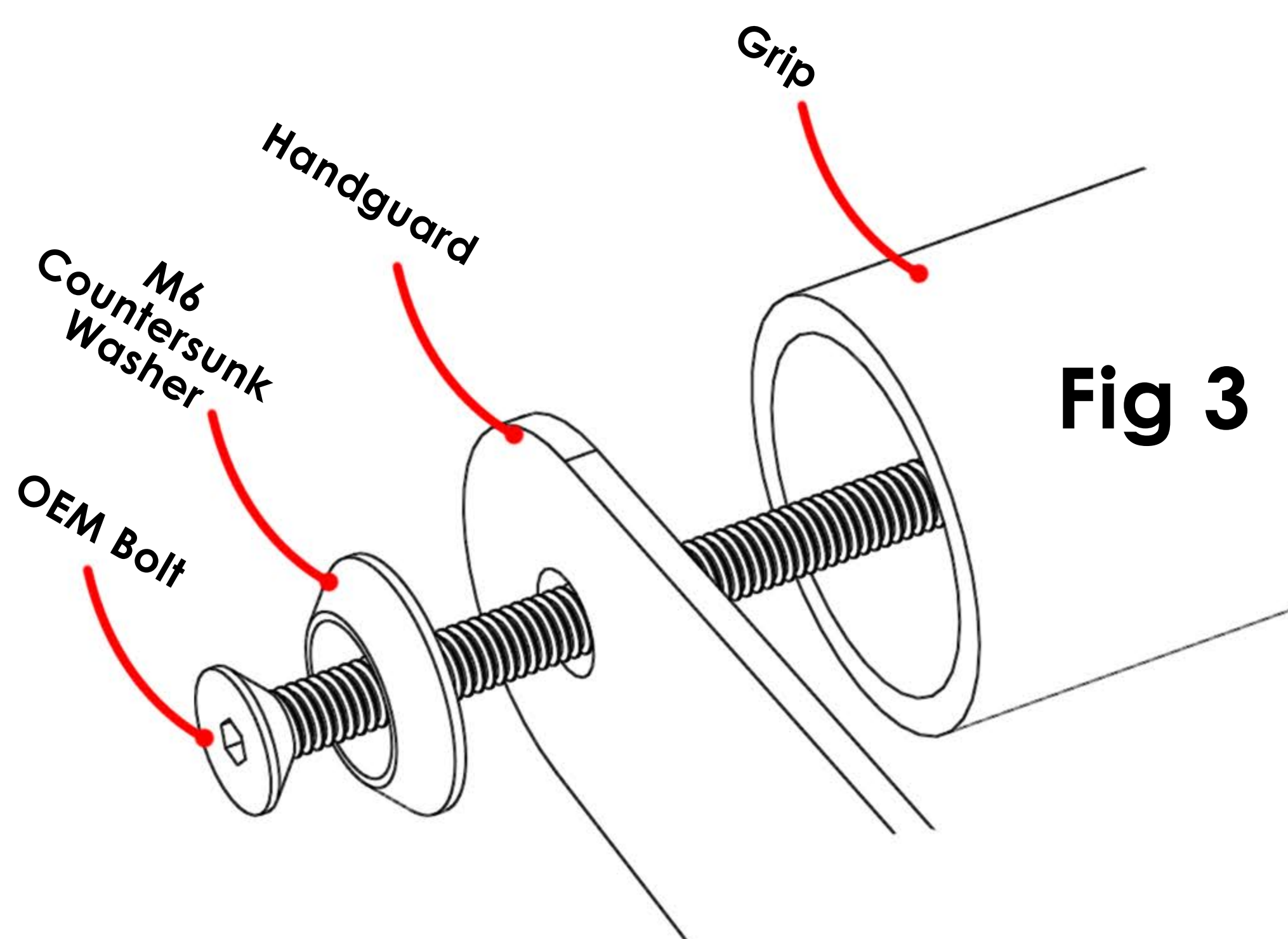


Fig 3

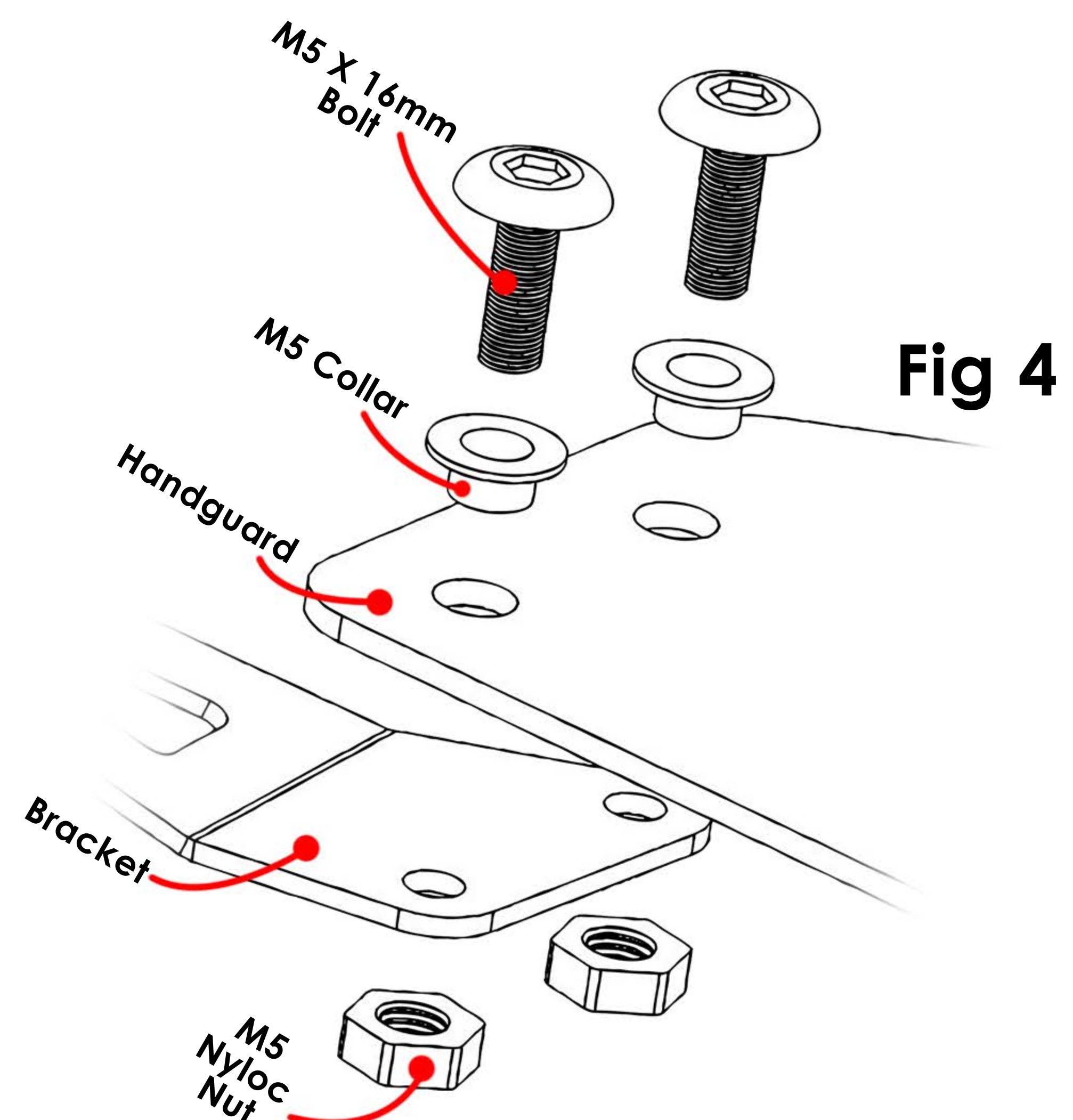


Fig 4

Any questions?
sales@pyramid-plastics.co.uk
 +44 (0)1427 677990
www.pyramid-plastics.co.uk



Follow us on social media and feel free to leave us a review!