

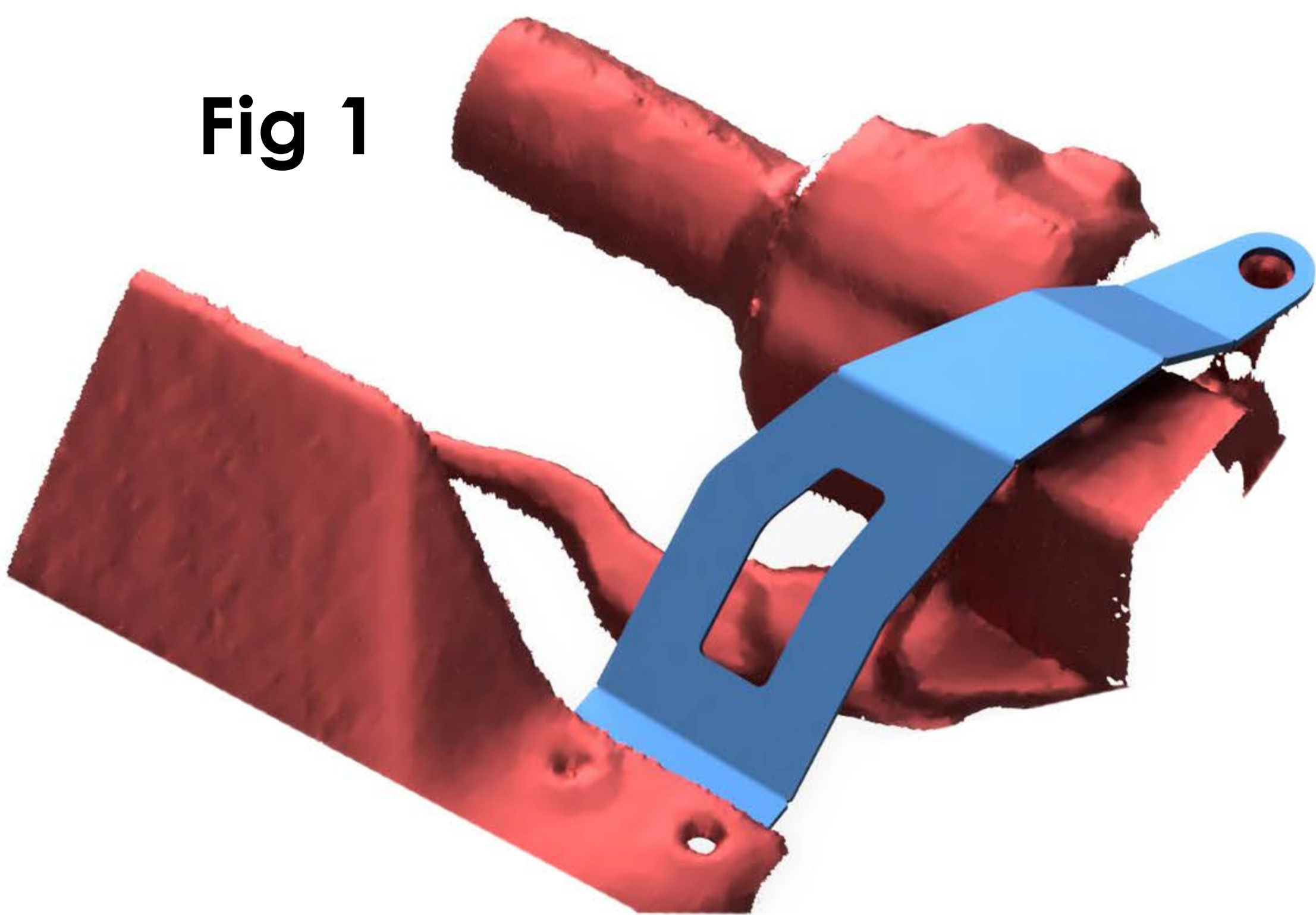
## 30192 Honda CB750 Hornet Handguards Fitting Instructions

### Kit Includes:

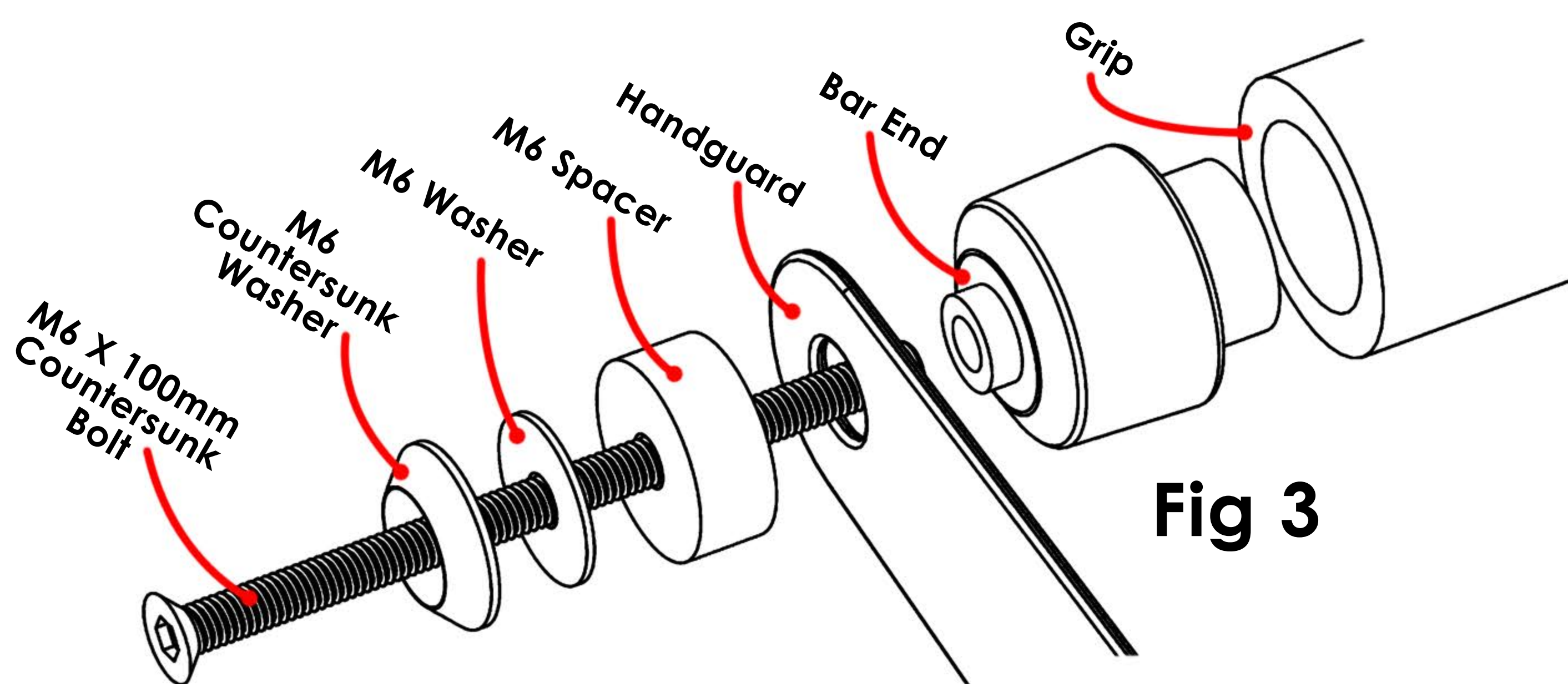
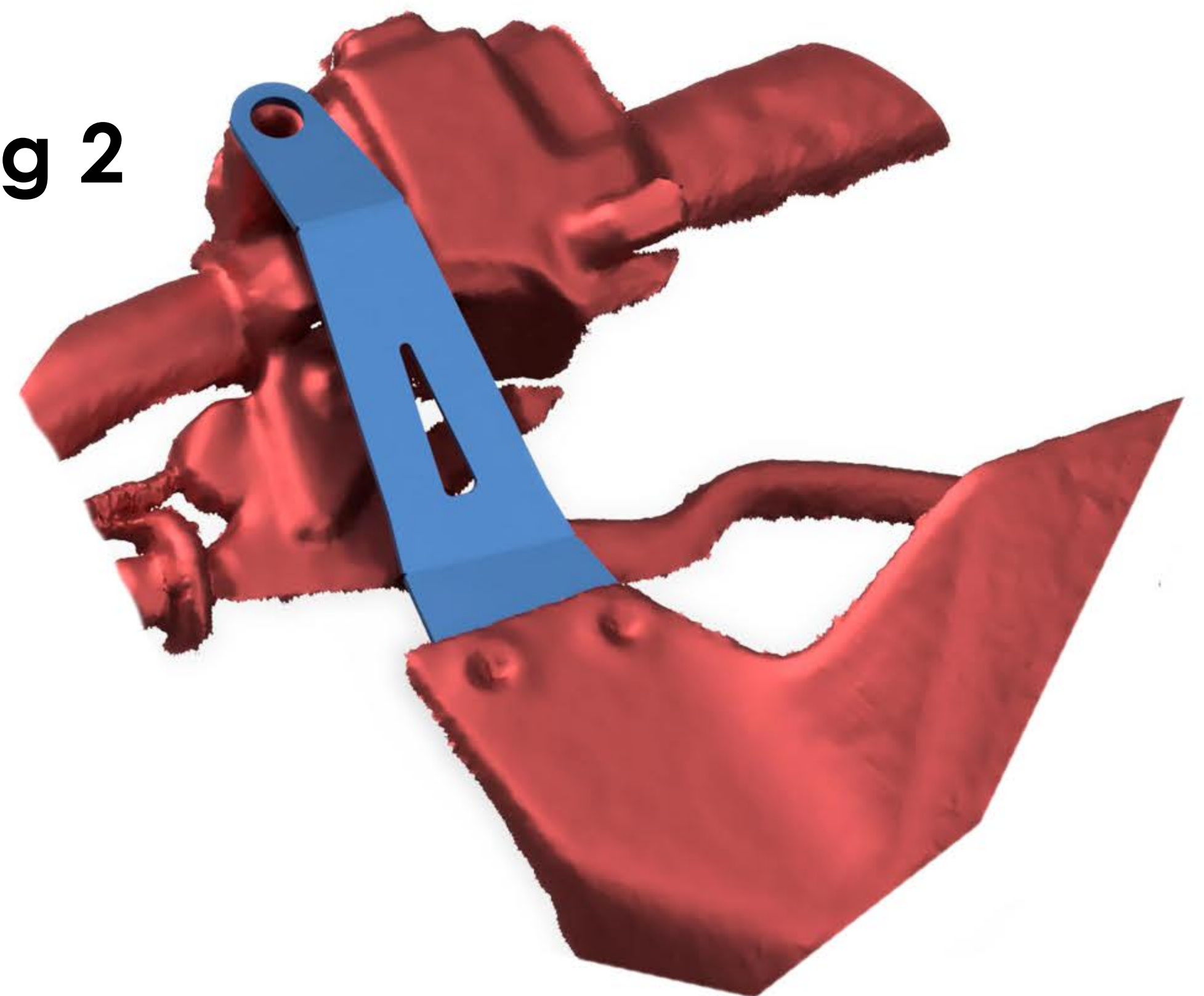
2X	C30203	Handguards (pair)
2X	CFK30192	Brackets (pair)
2X	C39505	Bar End (pair)
2X	CBOLM60033	M6 X 100mm Countersunk Bolt
2X	CWASM60005	M6 Countersunk Washer
2X	CWASM60004	M6 Washer
2X	CSPAM60018	M6 Spacer
4X	CBOLM50007	M5 X 16mm Bolt
4X	CNUTM50002	M5 Nyloc Nut
4X	CSPAM50003	M5 Collar

- Remove the plastic bar ends from both sides of the handlebars.
- Remove both mirrors.
- Loosely attach the brackets underneath the mirror mounting points (see Fig 1 & 2).
- Loosely attach the handguards and bar ends (see Fig 3 for sequence).
- Loosely attach the brackets to the handguards using the M5 fittings supplied (see Fig 4).
- Now tighten all of the fixing points and adjust the mirrors if needed - this can be achieved by adjusting the two nuts on the mounting point of the mirror.
- Check fixings periodically.

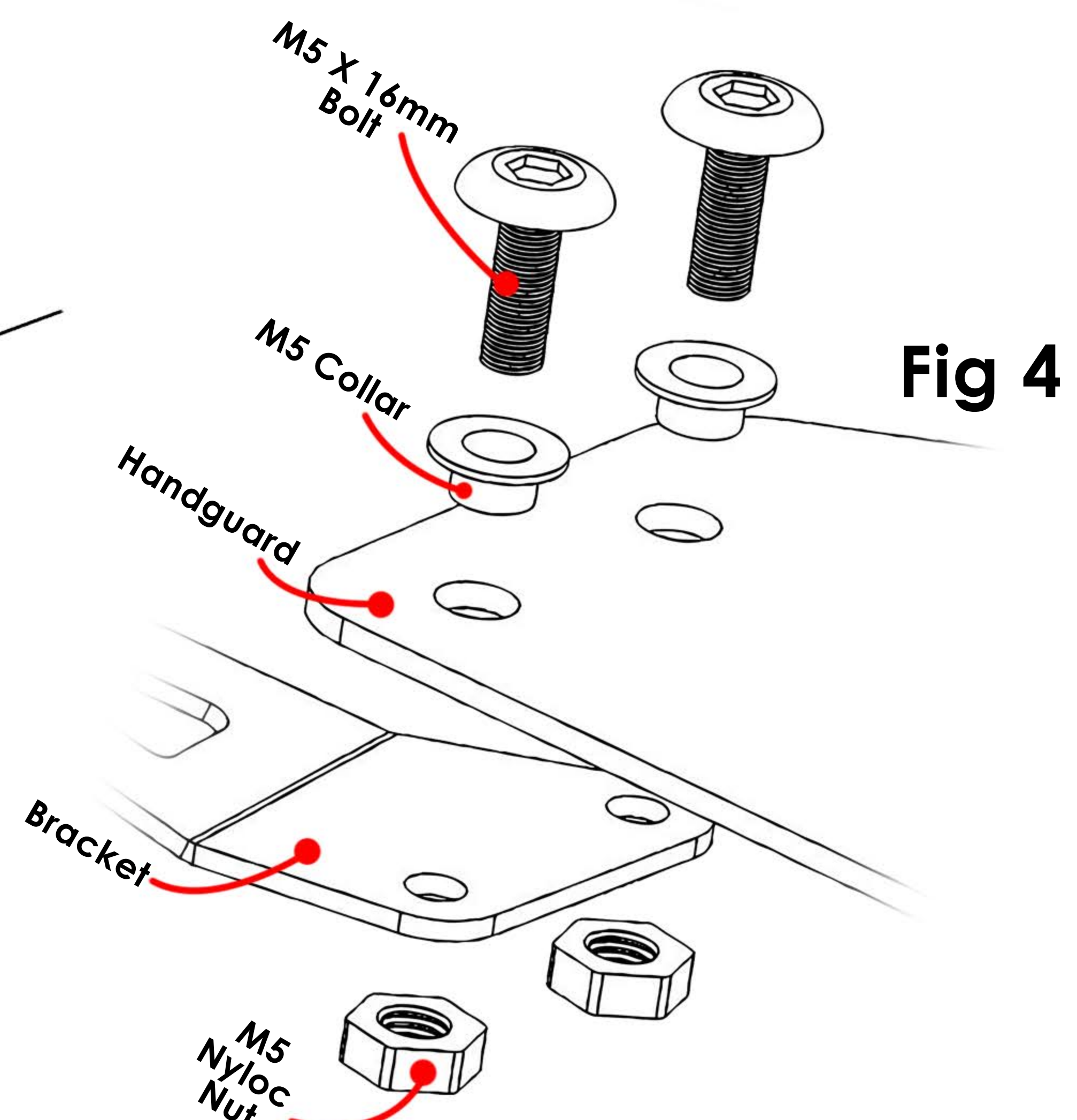
**Fig 1**



**Fig 2**



**Fig 3**



**Fig 4**

Any questions?  
[sales@pyramid-plastics.co.uk](mailto:sales@pyramid-plastics.co.uk)  
 +44 (0)1427 677990  
[www.pyramid-plastics.co.uk](http://www.pyramid-plastics.co.uk)



Follow us on social media and feel free to leave us a review!