

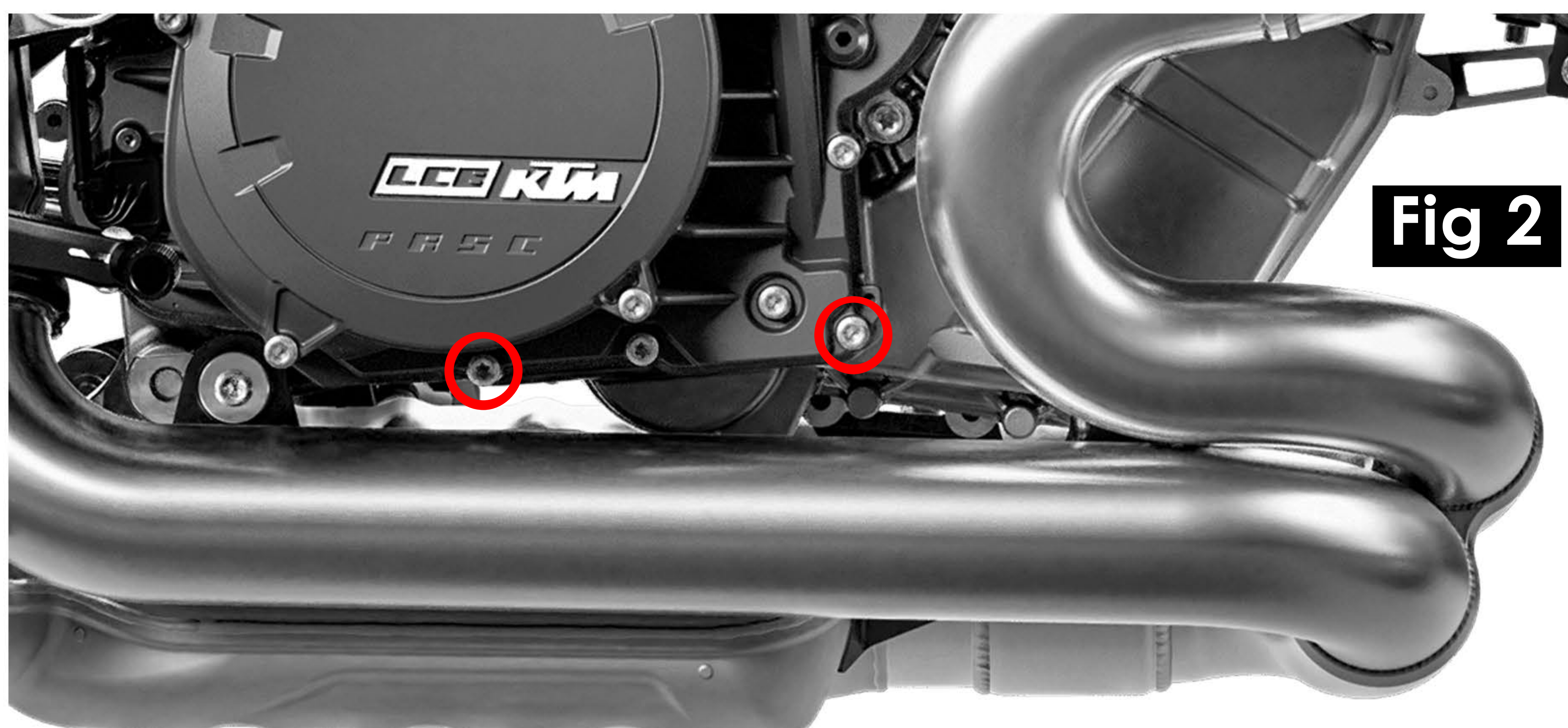
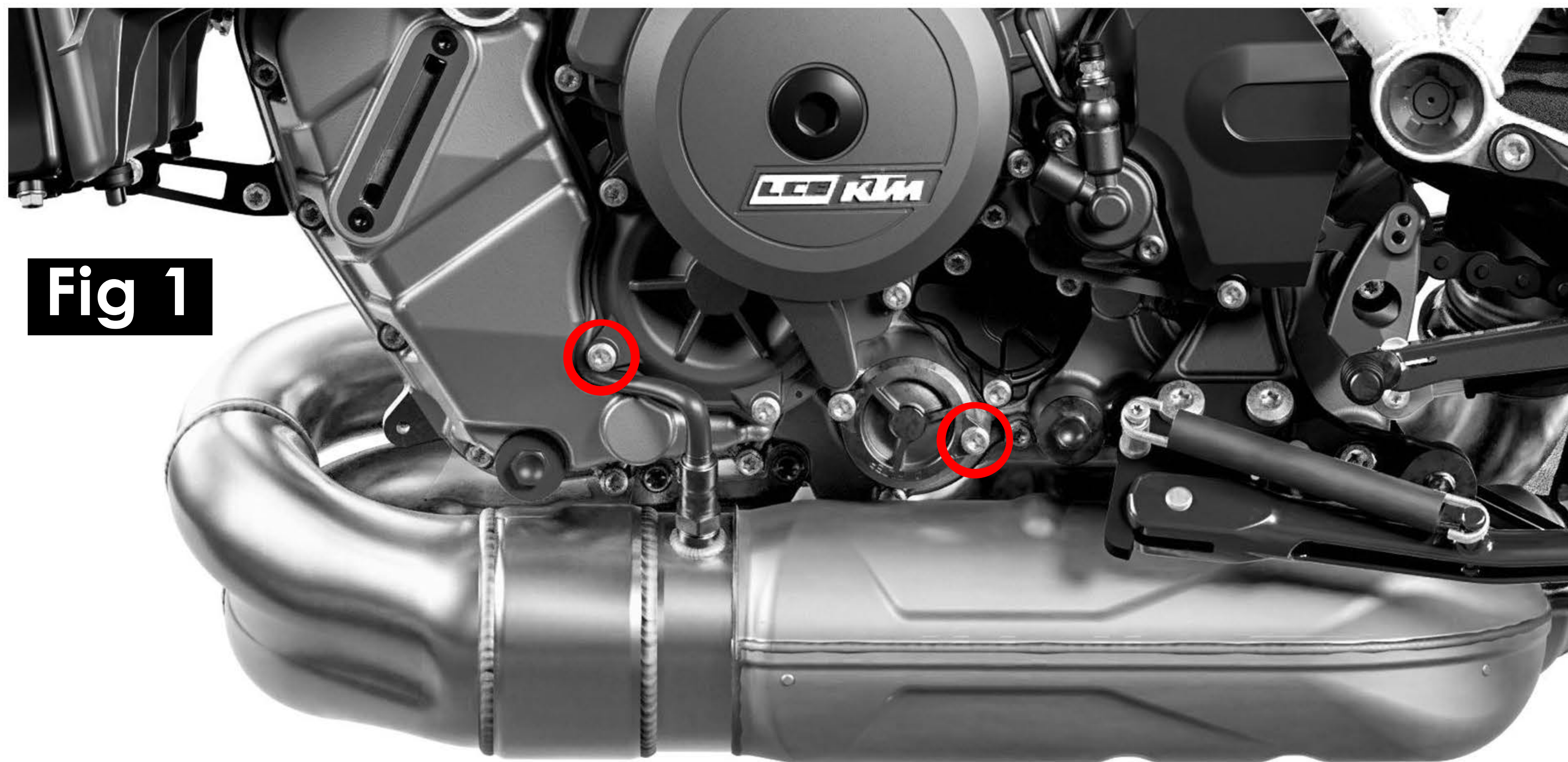
29900 KTM 1290 Superduke R Belly Pan Fitting Instructions

Kit Includes:

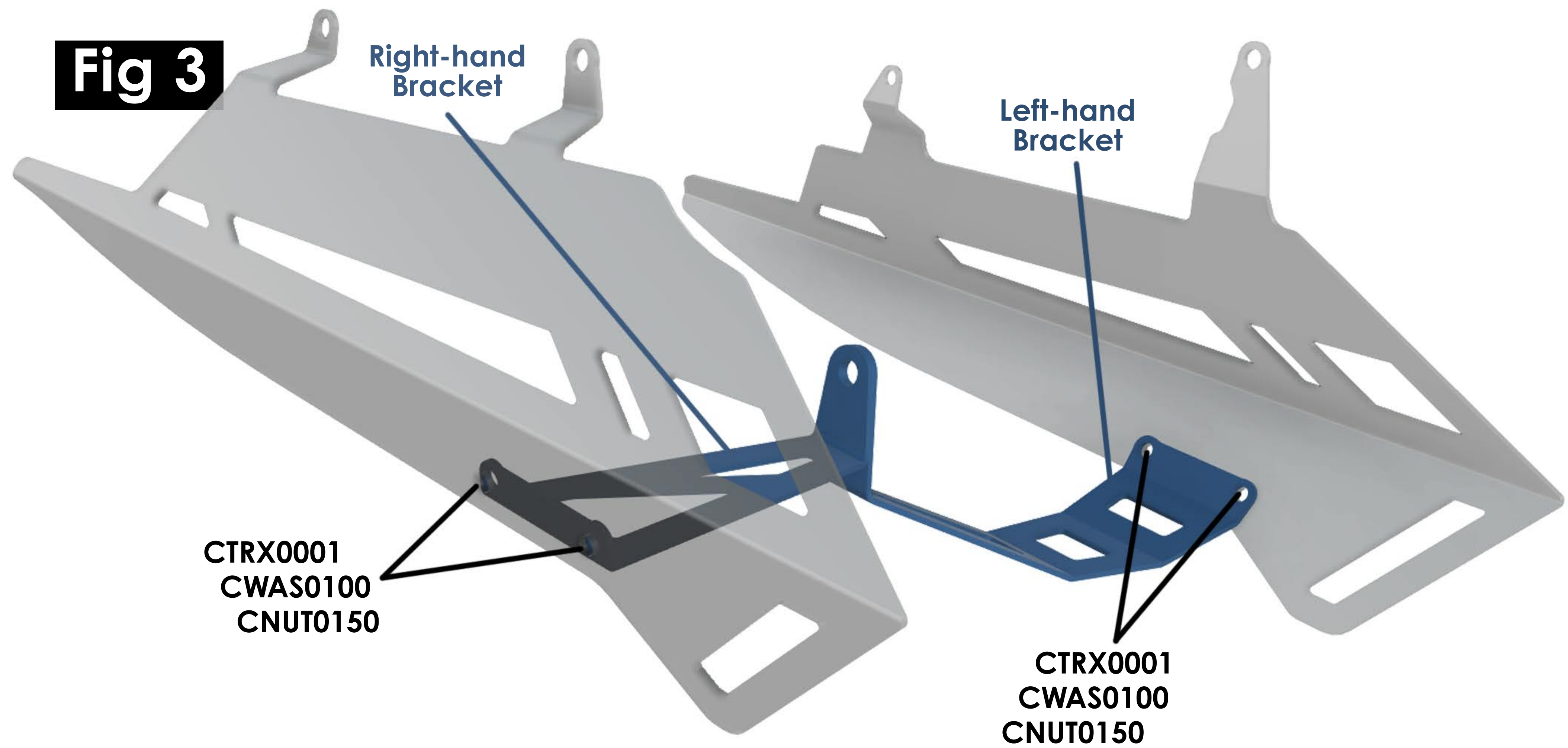
1X	29900LHS	Left-hand Panel
1X	29900RHS	Right-hand Panel
1X	CFK29900LHS	Left-hand Bracket
1X	CFK29900RHS	Right-hand Bracket
4X	CBOLM50012	M5 X 12mm Torx Bolt
4X	CWASM50001	M5 Plastic Washer
4X	CNUTM50002	M5 Nyloc Nut
1X	CSPAM60006	6mm Stainless Steel Spacer
1X	CBOLM50009	M5 X 20mm Bolt

Pyramid advise using Loctite (or equivalent products) on all engine casing mounting points.

- **Fig 1** - **RED** circles show mounting points on the left-hand side.
- **Fig 2** - **RED** circles show mounting points on the right-hand side.
- **Fig 3** - illustrates the Pyramid Belly Pan assembly.
- **Fig 4** - illustrates the position of the **M5 X 20mm Bolt** & **6mm Stainless Steel Spacer** (rear mounting point left hand side).
- **Fig 5** - illustrates the Pyramid Belly Pan assembly from below the bike. Original bolt is used.

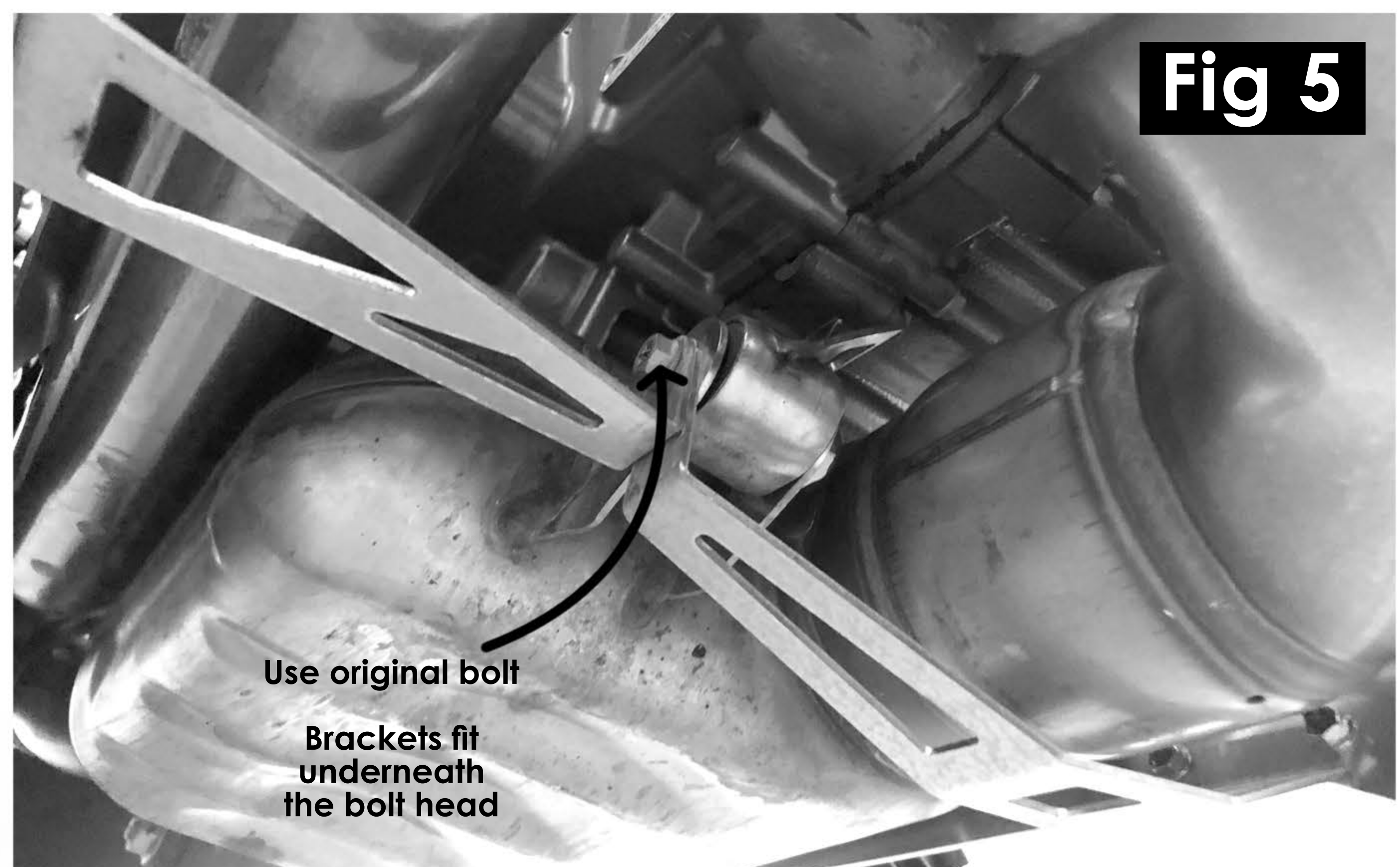
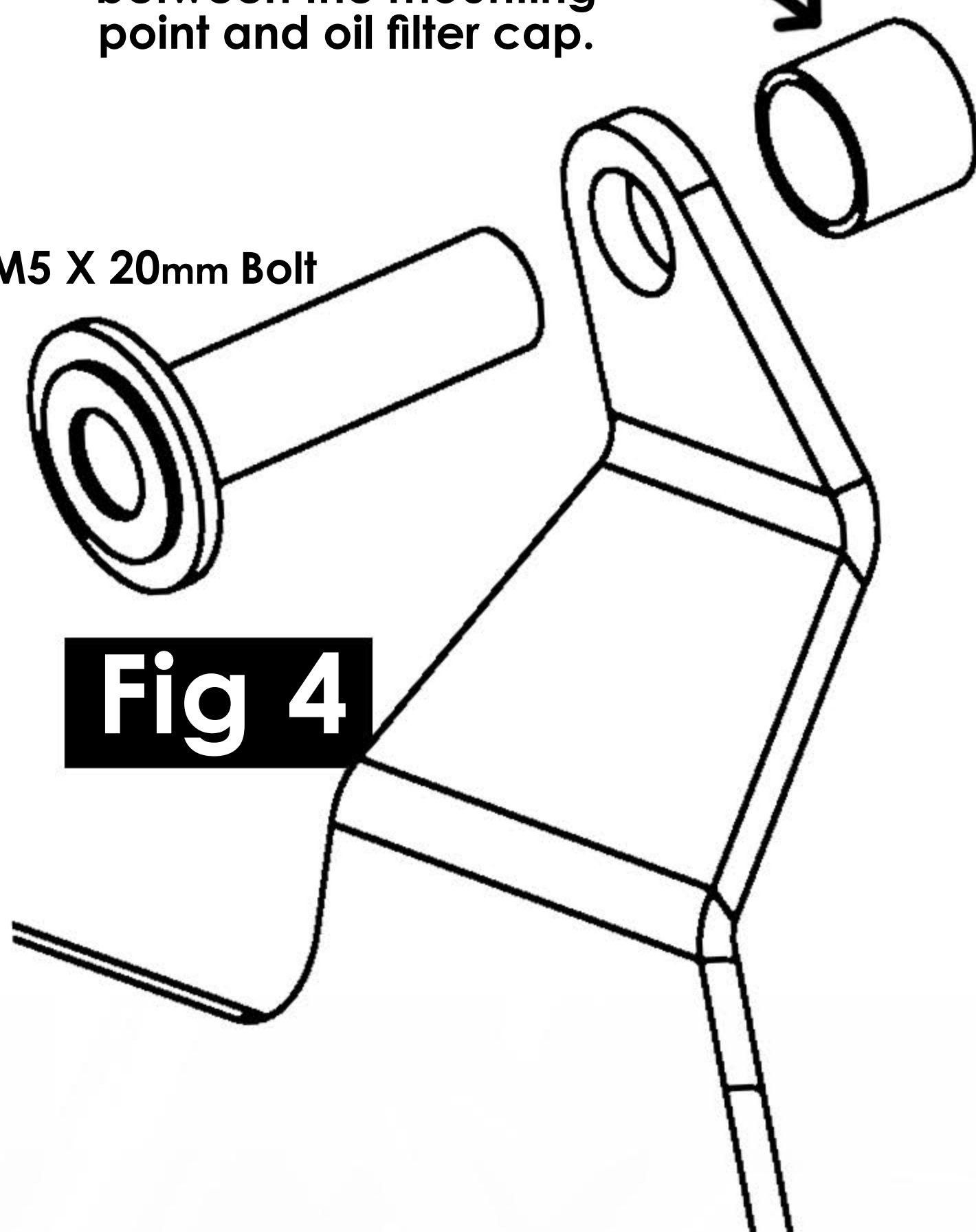


29900 KTM 1290 Superduke R Belly Pan Fitting Instructions



6mm Stainless Steel Spacer positioned between the mounting point and oil filter cap.

M5 X 20mm Bolt



KTM

Any questions?
sales@pyramid-plastics.co.uk
+44 (0)1427 677990
www.pyramid-plastics.co.uk



Follow us on social media and feel free to leave us a review!