

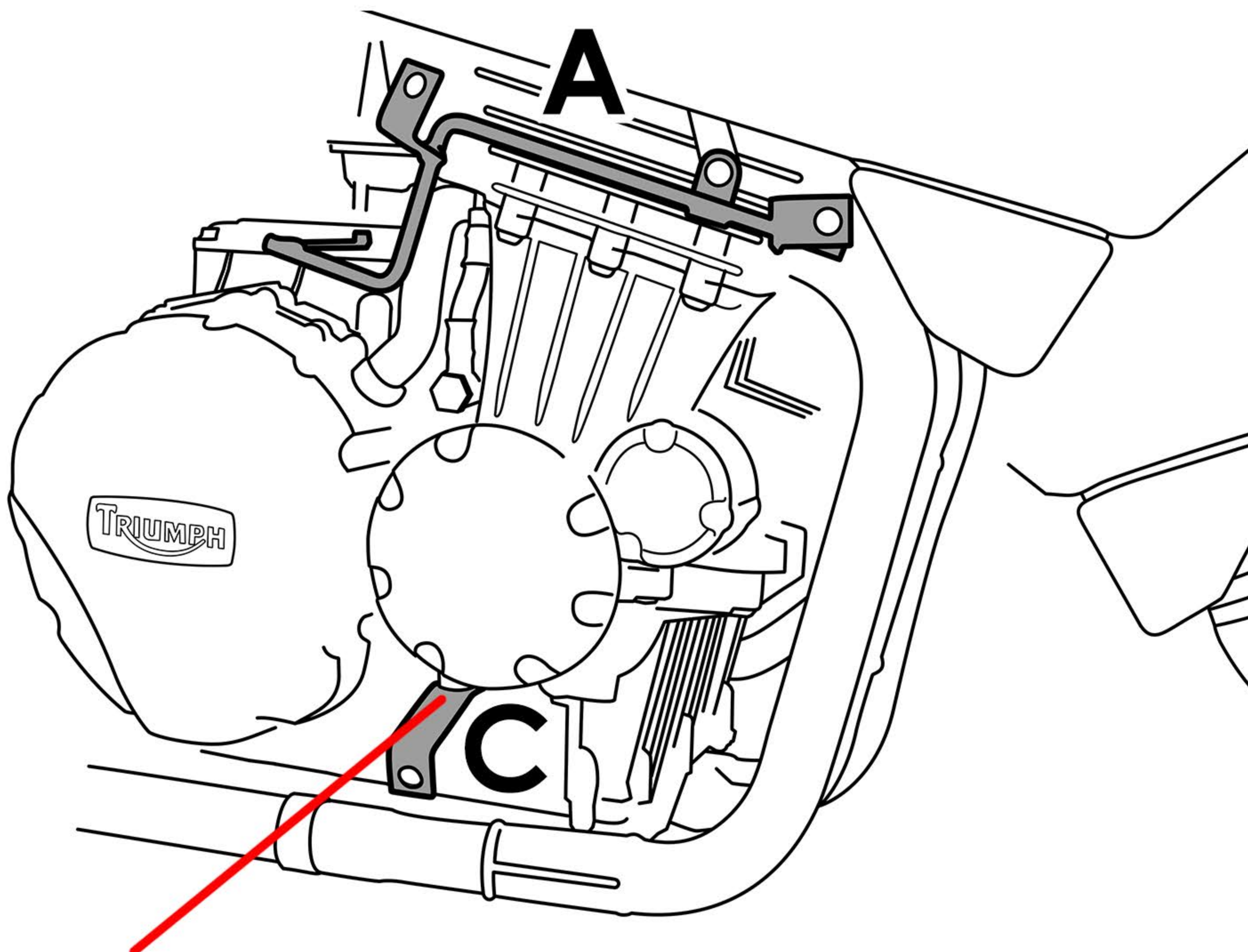
# PYRAMID

## 260000 Triumph Sprint Fairing Lower Fitting Instructions

### Kit Includes:

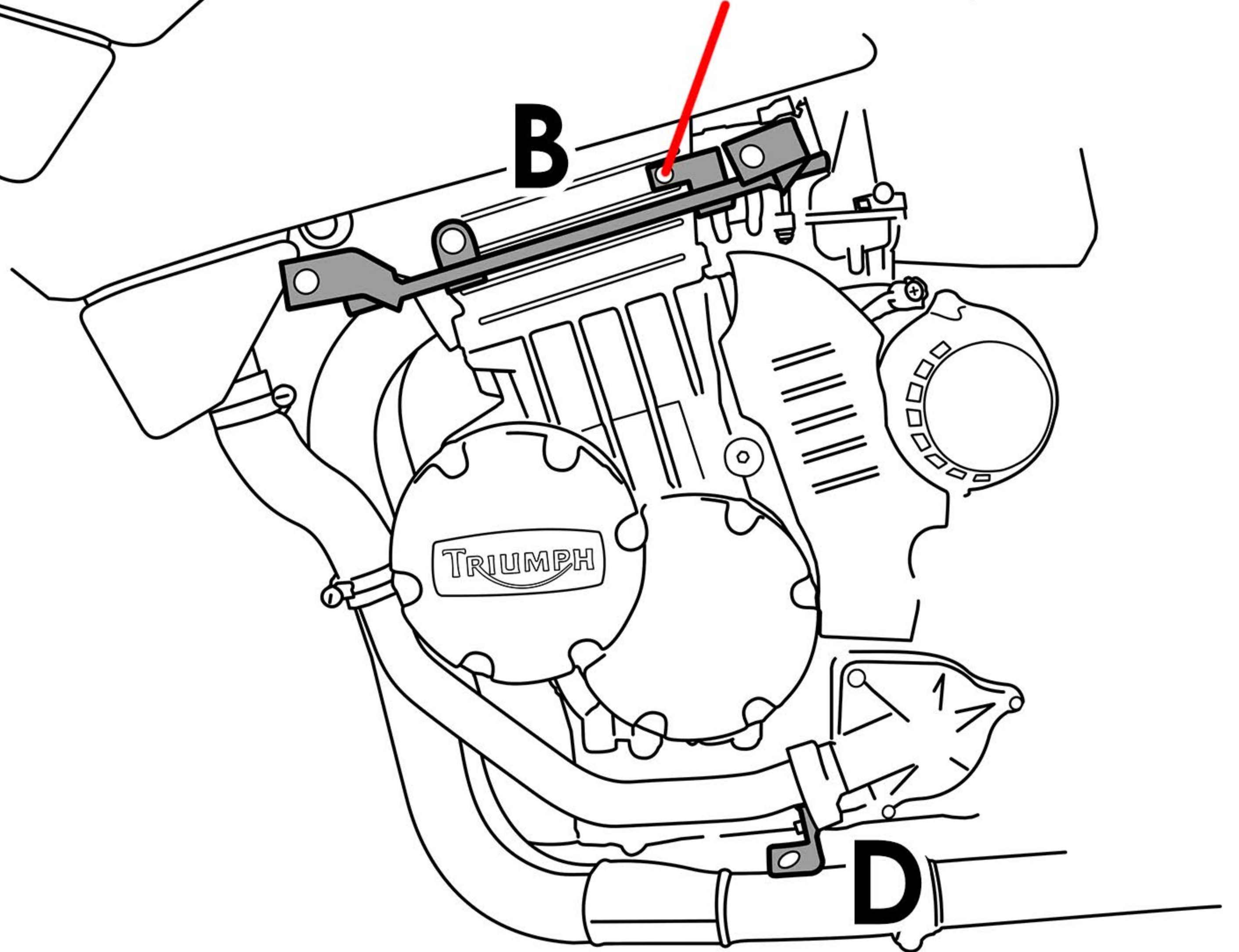
4X Brackets with 6 lug nuts pre-attached	CFK260000 + CNUTM60007
8X M6 X 16 <sub>mm</sub> Flanged Button Head Machine Screws	CBOLM60008
8X M6 Black Plastic Washers	CWASM60003
2X M6 Large Black Plastic Washers	CWASM60004
1X M6 Flat Steel Washer	CWASM60001
1X M8 Flat Spring Washer	CWASM80003
1X M6 X 20 <sub>mm</sub> Hexagonal Head Machine Screw	CBOLM60020
1X M8 X 12 <sub>mm</sub> Hexagonal Head Machine Screw	CBOLM60019
2X M6 Hexagonal Shake Proof Flanged Nuts	CNUTM60006

- Fit the 4 brackets to the motorcycle in the places show below (**highlighted in grey**). All mounting points between the brackets and the motorcycle use existing fittings unless otherwise stated below.

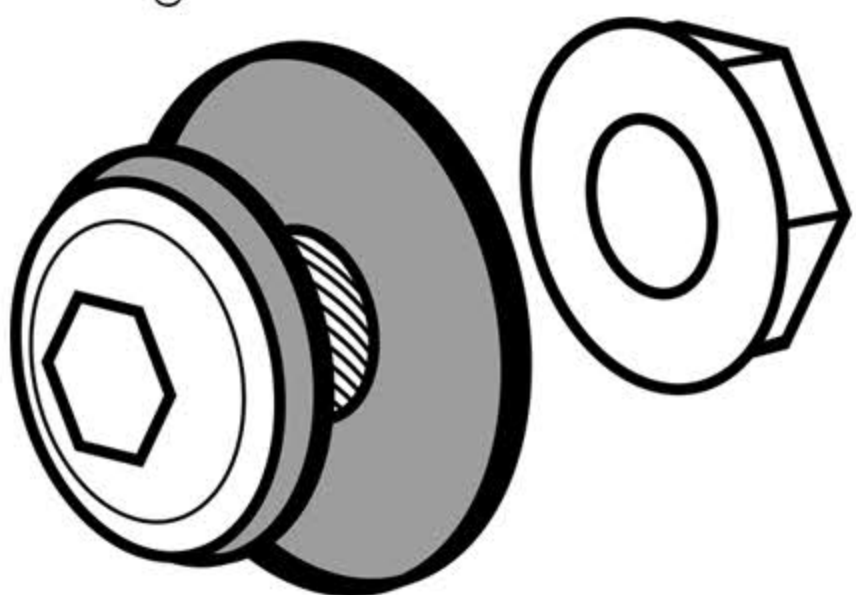


To fit **bracket C** to the motorcycle, you will need the **M8 X 12 Hexagonal Head Machine Screw** & the **M8 Flat Spring Washer** provided.

To fit **bracket B** to the motorcycle, you will need the **M6 X 20 Hexagonal Head Machine Screw** & the **M6 Flat Steel Washer** provided.



**Note:**  
Be sure to fit the **2 M6 Large Black Plastic Washers** & the **2 Shake Proof Hexagonal Nuts** onto the B surface of the Fairing Lower.



To join the two Fairing Lower together at the bottom use **2 M6 X 16mm Flanged Button Head Machine Screws**, **2 M6 Black Plastic Washers**, **2 M6 Large Black Plastic Washers** & **2 Shake Proof Hexagonal Nuts** in places shown.

**View diagram above** for the fitment order.

To fit the Fairing Lower to the brackets use **3 M6 X 16mm Flanged Button Head Machine Screws** & **3 M6 Black Plastic Washers** in places shown. Repeat on the opposite side.

