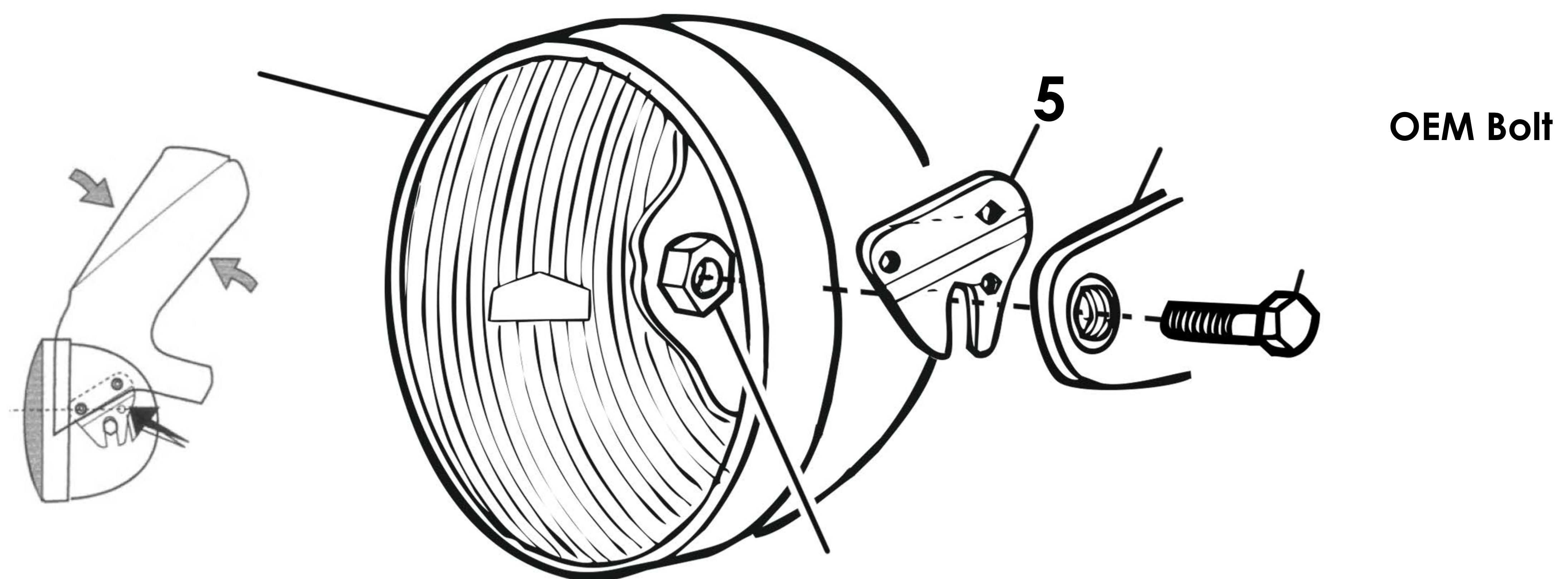


22210 Yamaha XSR 700 & 900 Fly Screen Fitting Instructions

Items from this list in GREY are **not needed** for fitment

ID.	DESCRIPTION	QTY.
1	Fairing	1
2	Screen	1
3	M6 X 20mm Bolt	2
4	Screen Kit (3X Well Nuts, M5 X 16mm Bolts, Washers & Bolt Caps)	3
5	Metal Brackets (pair)	2
6	M6 X 8mm Bolts	4
7	M6 X 12mm Bolts & Nuts	2
8	M6 Plastic Washers	4
9	M8 Nuts	2
10	M8 X 35mm Bolts	2
11	M8 Steel Washers	2
12	M8 X 15mm X 9mm Spacers	2
13	M6 X 12mm X 8mm Spacers	2
14	Rubber Trim	1

Follow the diagrams below for assistance when fitting.



Fitting notes:

The internal nut on the headlight may need to be accessed to tighten up the fly screen brackets.

To do this the outer ring of the headlight (shown in diagram above) needs to be removed temporarily.

XSR

Any questions?
sales@pyramid-plastics.co.uk
 +44 (0)1427 677990
www.pyramid-plastics.co.uk



Follow us on social media and feel free to leave us a review!