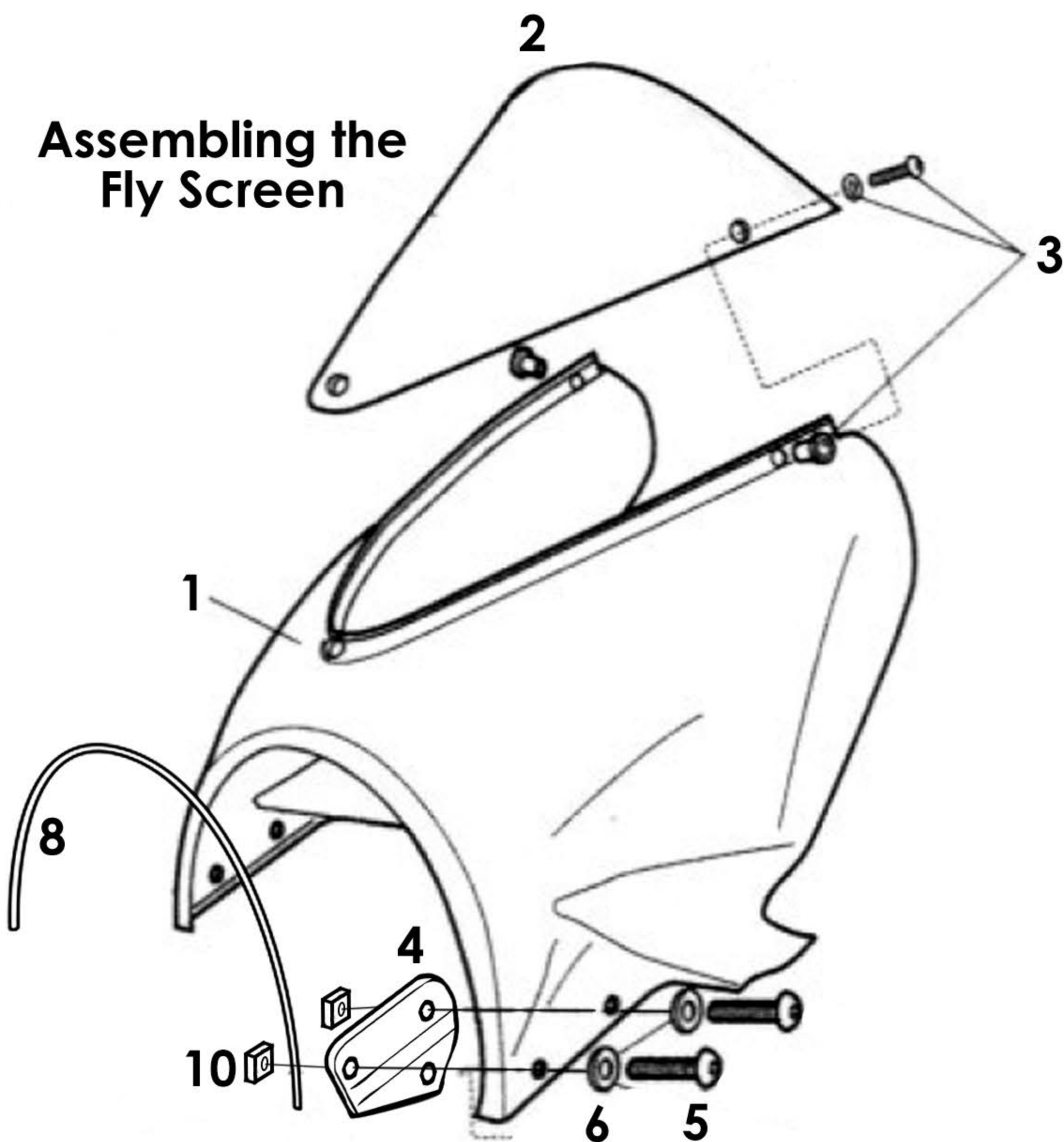


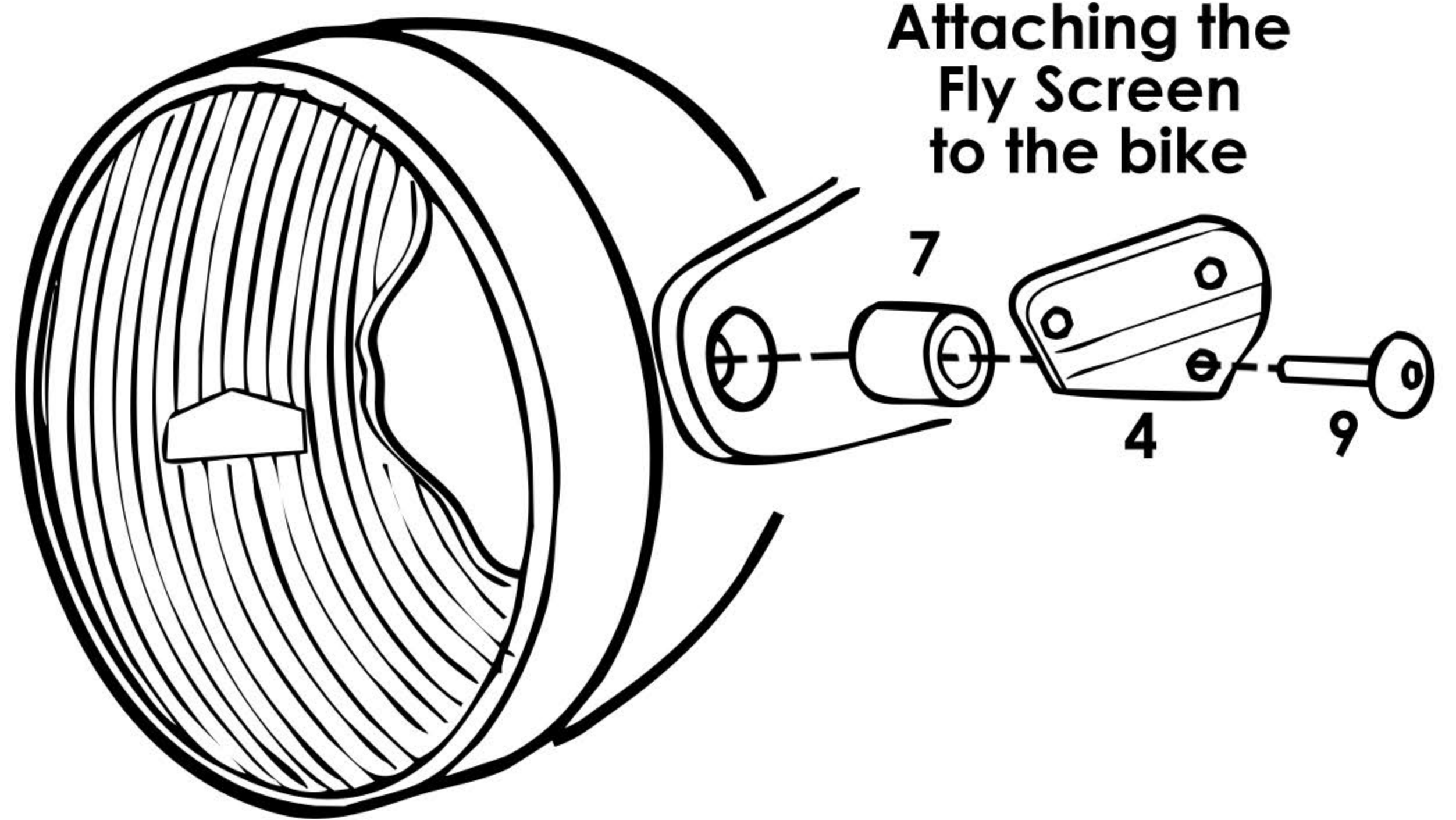
21290 Honda Dax ST125 Fly Screen Fitting Instructions

	ID.	DESCRIPTION	QTY.
SMOT	1	Fairing	1
SMOT	2	Screen	1
SMOT	3	Screen Kit (3X Well Nuts, M5 X 16mm Bolts, Washers & Bolt Caps)	1
CFK21250	4	Metal Brackets (pair)	2
SMOT	5	M6 X 8mm Bolts	4
SMOT	6	M6 Plastic Washers	4
CSPAM80004	7	15mm X 13mm Spacers	2
SMOT	8	Rubber Trim	1
CBOLM60011	9	M6 X 25mm Bolts	2
CNUTM60005	10	M6 Square Nuts	4

Assembling the Fly Screen



Attaching the Fly Screen to the bike



Dax



Any questions?
sales@pyramidmoto.co.uk
 +44 (0)1427 677990
www.pyramidmoto.co.uk



Follow us on social media and feel free to leave us a review!