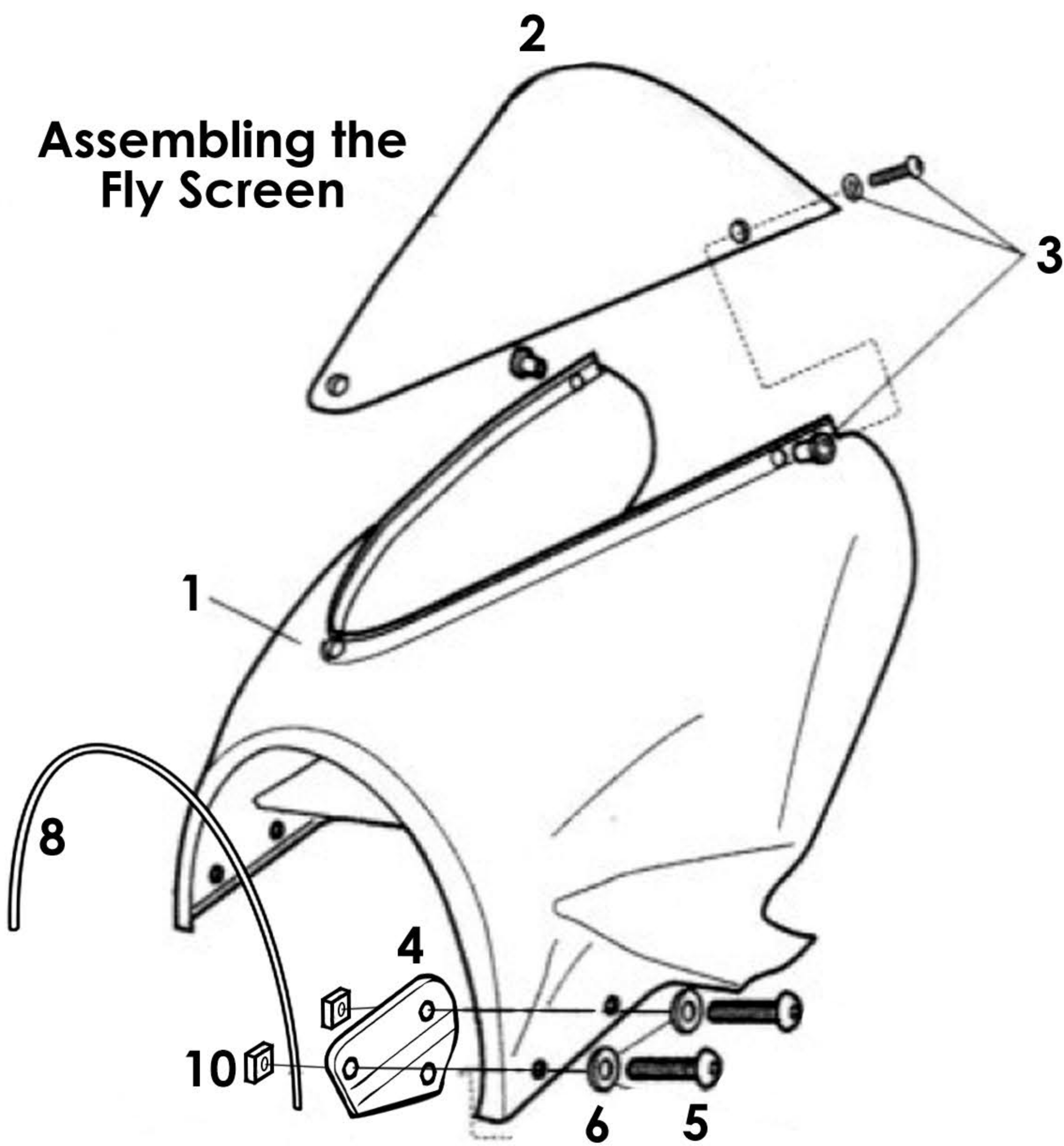


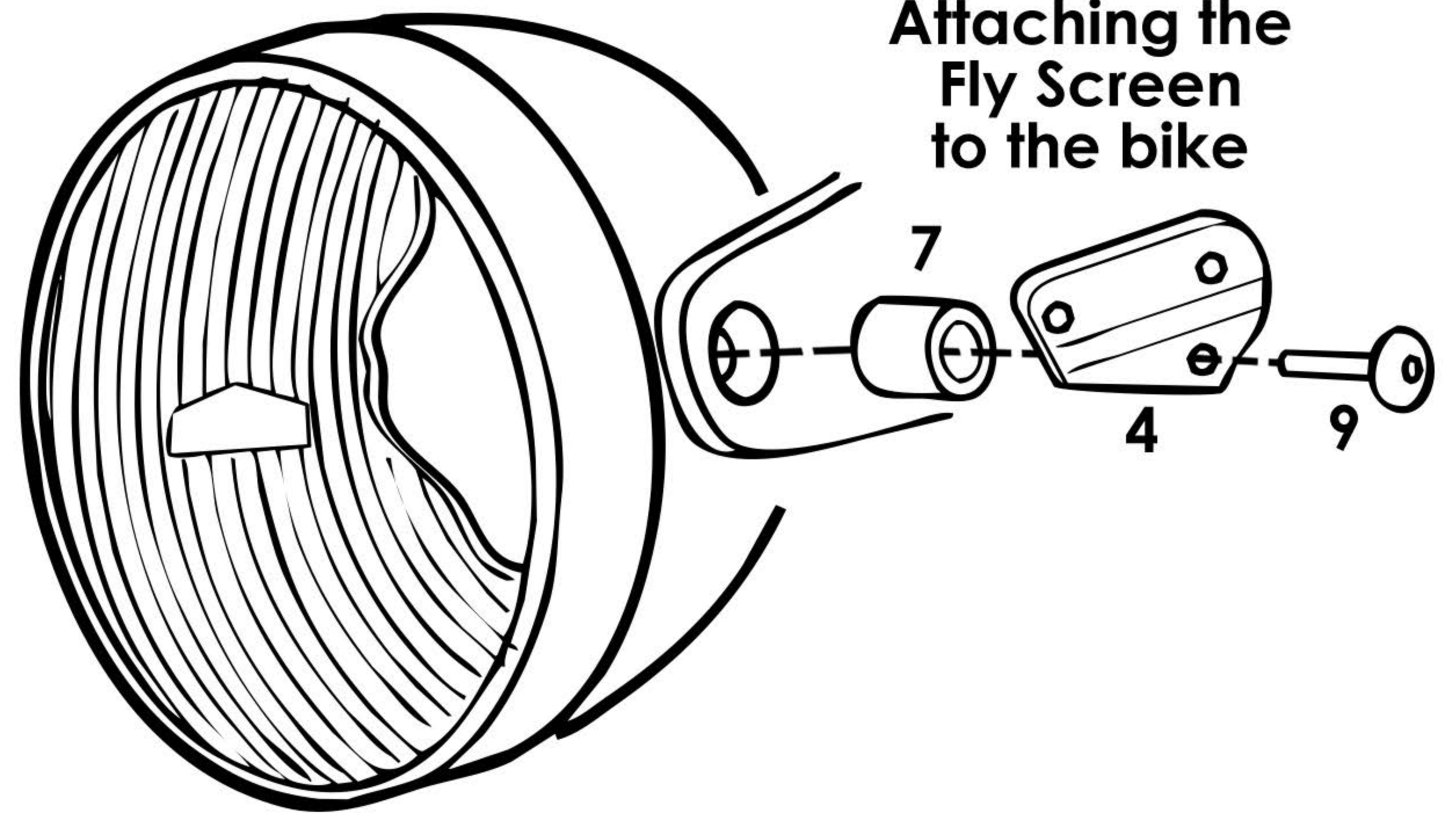
21250 Honda Monkey 125 Fly Screen Fitting Instructions

| | ID. | DESCRIPTION | QTY. |
|------------|-----|---|------|
| SMOT | 1 | Fairing | 1 |
| SMOT | 2 | Screen | 1 |
| SMOT | 3 | Screen Kit (3X Well Nuts, M5 X 16mm Bolts, Washers & Bolt Caps) | 1 |
| CFK21250 | 4 | Metal Brackets (pair) | 2 |
| SMOT | 5 | M6 X 8mm Bolts | 4 |
| SMOT | 6 | M6 Plastic Washers | 4 |
| CSPAM80004 | 7 | 15mm X 13mm Spacers | 2 |
| SMOT | 8 | Rubber Trim | 1 |
| CBOLM60011 | 9 | M6 X 25mm Bolts | 2 |
| CNUTM60005 | 10 | M6 Square Nuts | 4 |

Assembling the Fly Screen



Attaching the Fly Screen to the bike



Monkey

Any questions?
sales@pyramid-plastics.co.uk
 +44 (0)1427 677990
www.pyramid-plastics.co.uk



Follow us on social media and feel free to leave us a review!