



089303 Kawasaki Ninja 400 Frame End Caps Fitting Instructions

Kit Includes:

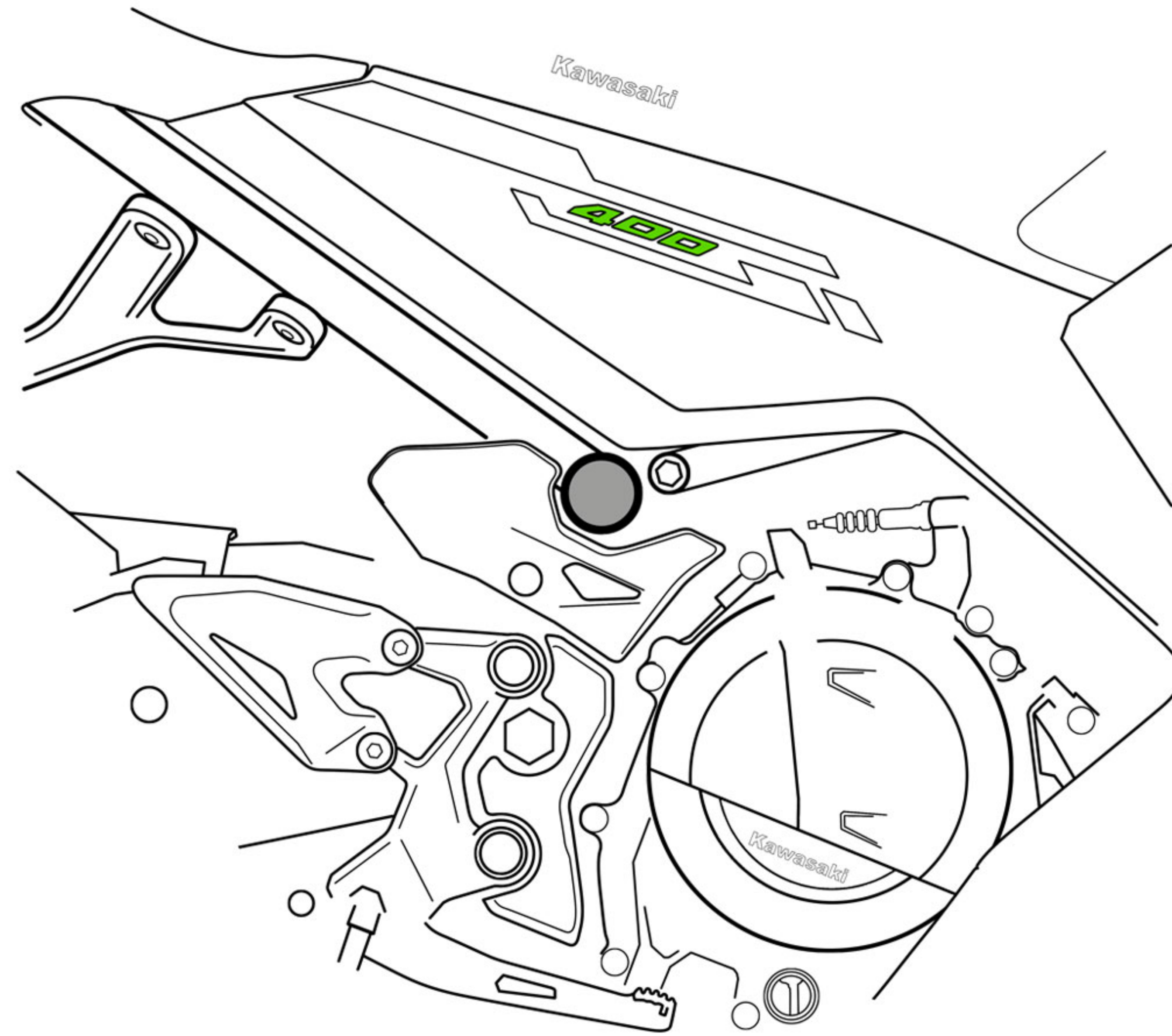
X2 30mm Cap

CBUNG014

- Ensure holes are free from debris, dirt & moisture before fitting.

Right-hand side shown below

Frame End Caps fit in same place on both sides



Contact us:

sales@pyramid-plastics.co.uk - +44 (0)1427 677990 - www.pyramid-plastics.co.uk

Follow us on social media and feel free to leave us a review!



089303 Kawasaki Ninja 400 Frame End Caps Fitting Instructions

Kit Includes:

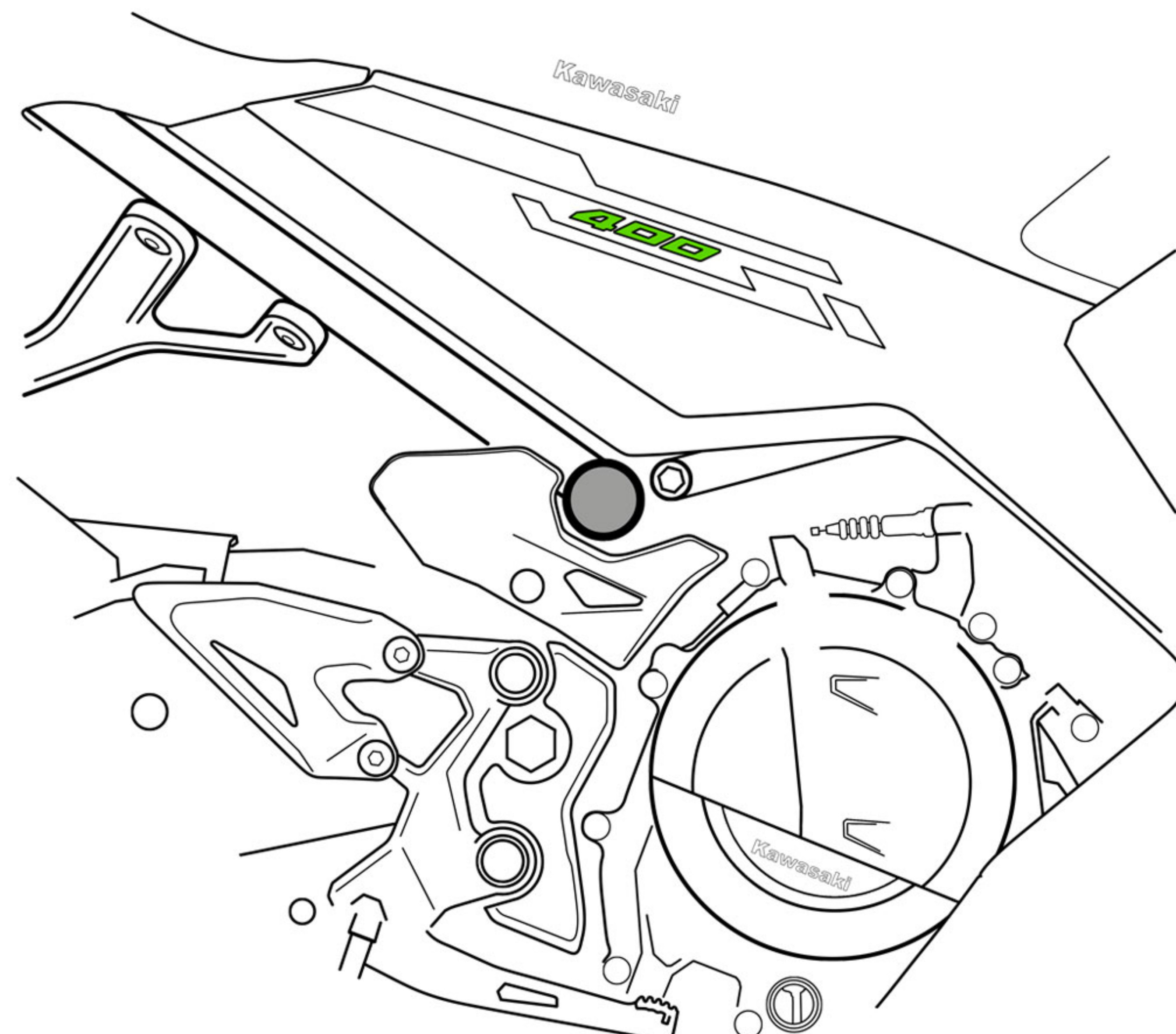
X2 30mm Cap

CBUNG014

- Ensure holes are free from debris, dirt & moisture before fitting.

Right-hand side shown below

Frame End Caps fit in same place on both sides



Contact us:

sales@pyramid-plastics.co.uk - +44 (0)1427 677990 - www.pyramid-plastics.co.uk

Follow us on social media and feel free to leave us a review!

