



089302 Kawasaki Z900 Frame End Caps Fitting Instructions

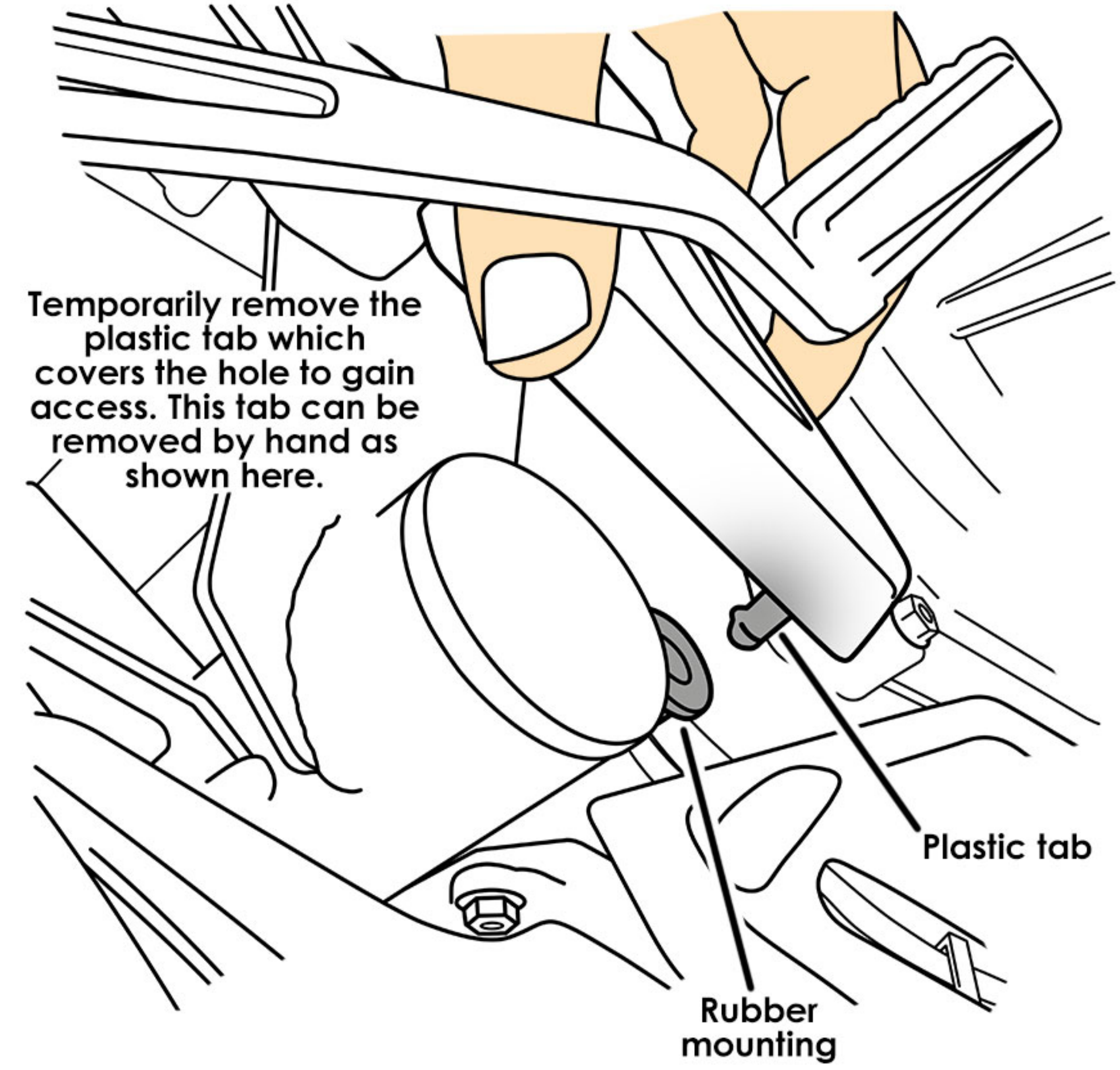
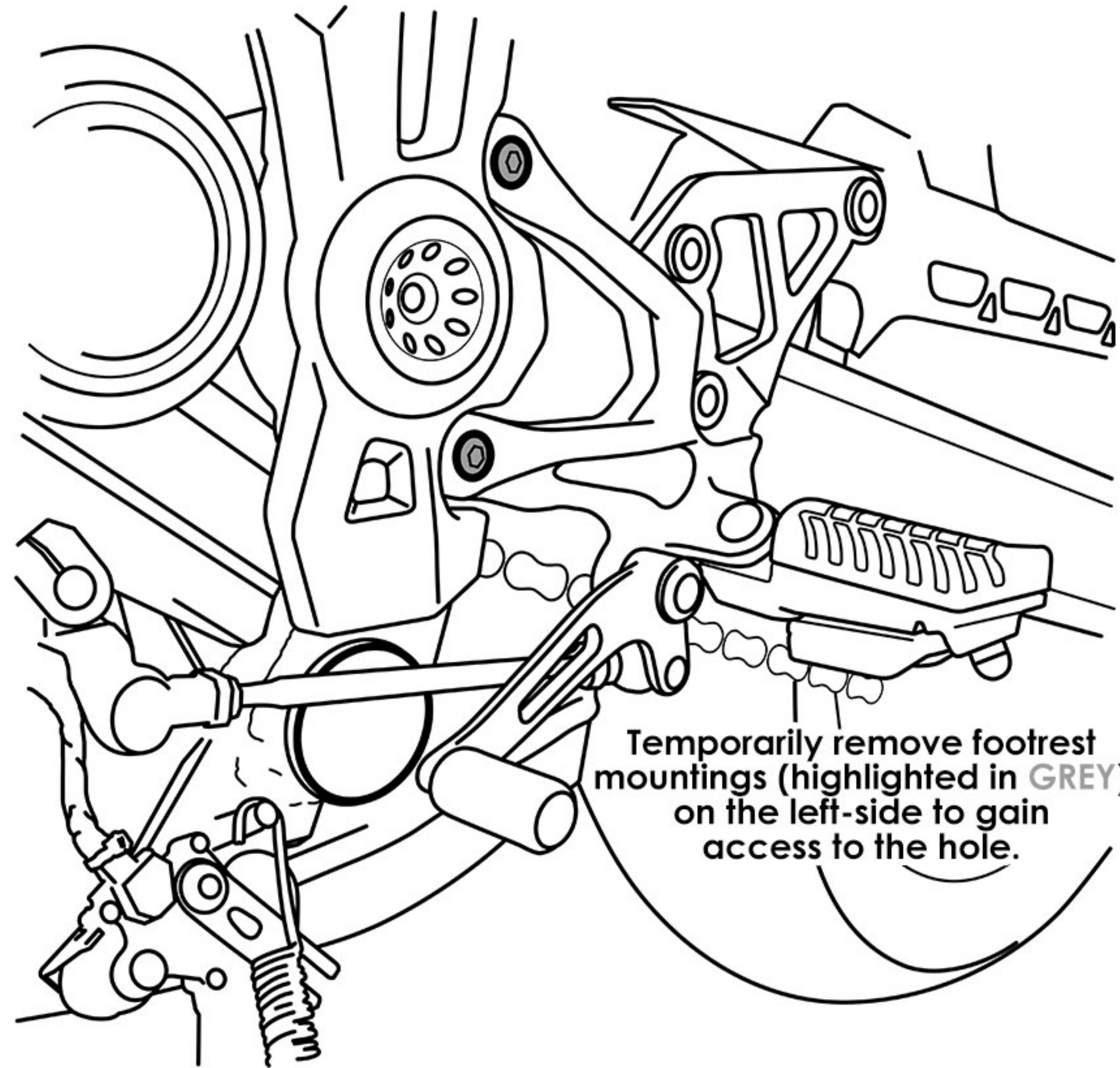
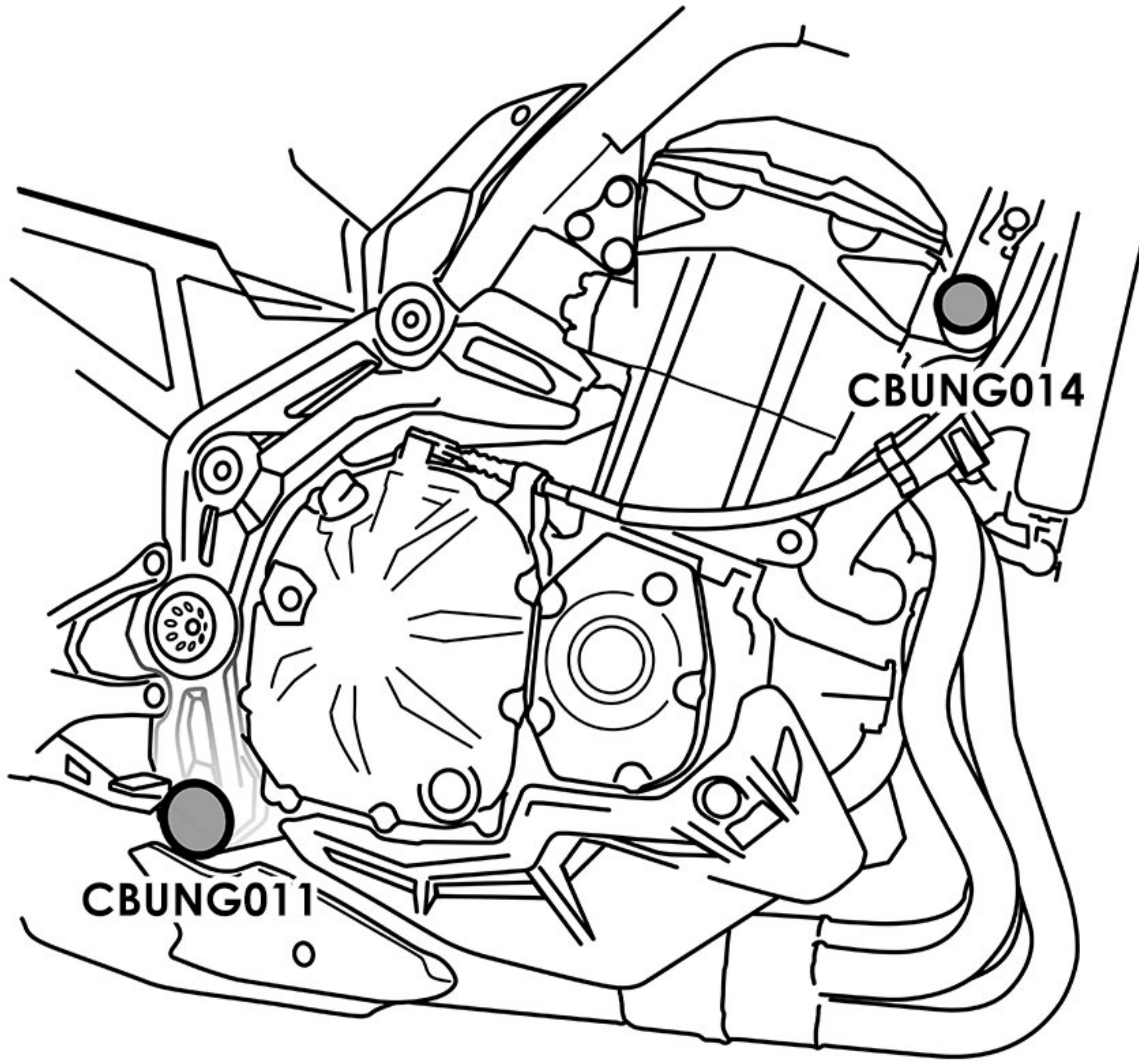
Kit Includes:

X2 50mm Cap
X2 30mm Cap

CBUNG011
CBUNG014

- Ensure holes are free from debris, dirt & moisture before fitting.

Holes are symmetrical on both sides



Contact us:

sales@pyramid-plastics.co.uk - +44 (0)1427 677990 - www.pyramid-plastics.co.uk

Follow us on social media and feel free to leave us a review!



089302 Kawasaki Z900 Frame End Caps Fitting Instructions

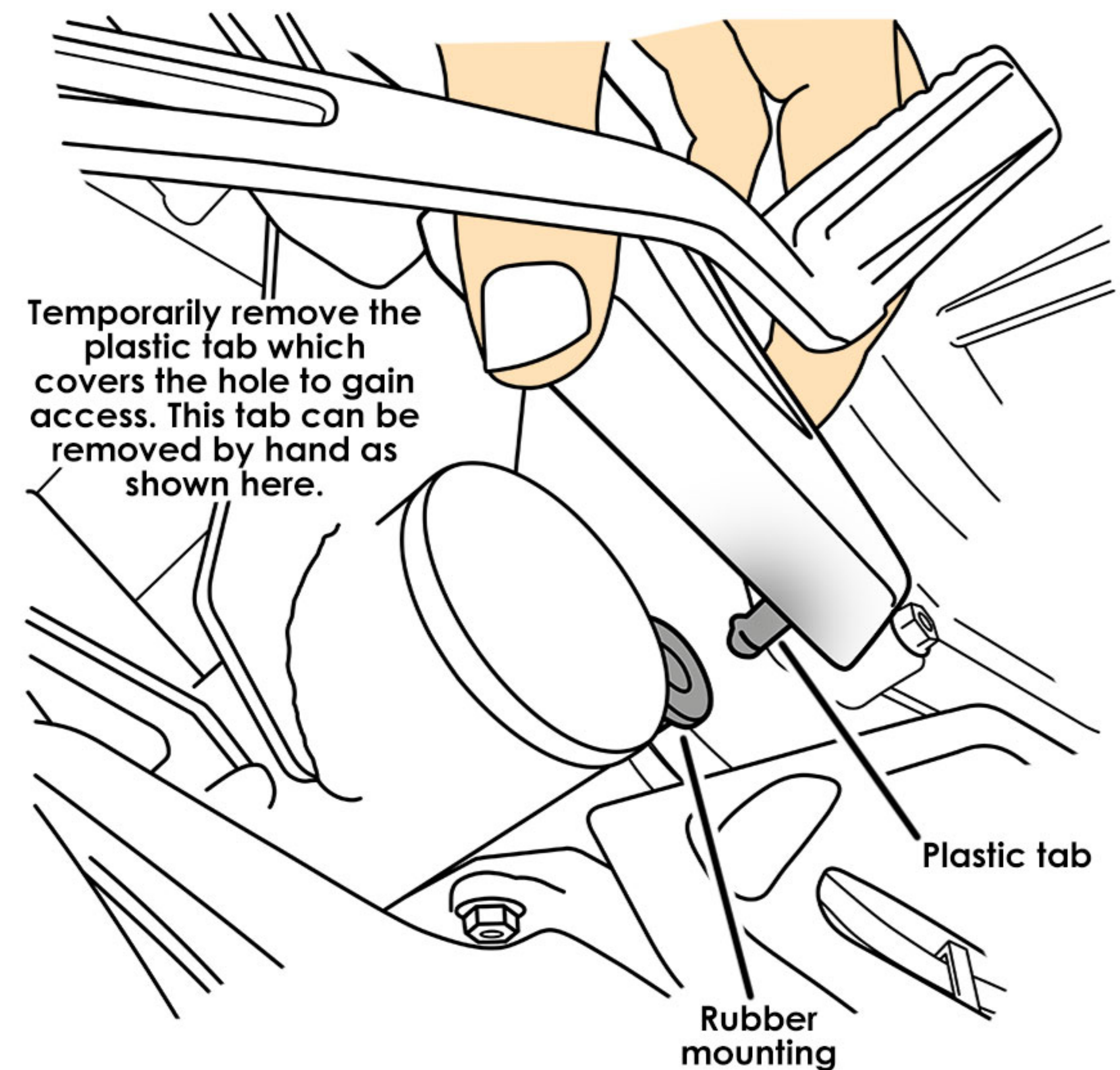
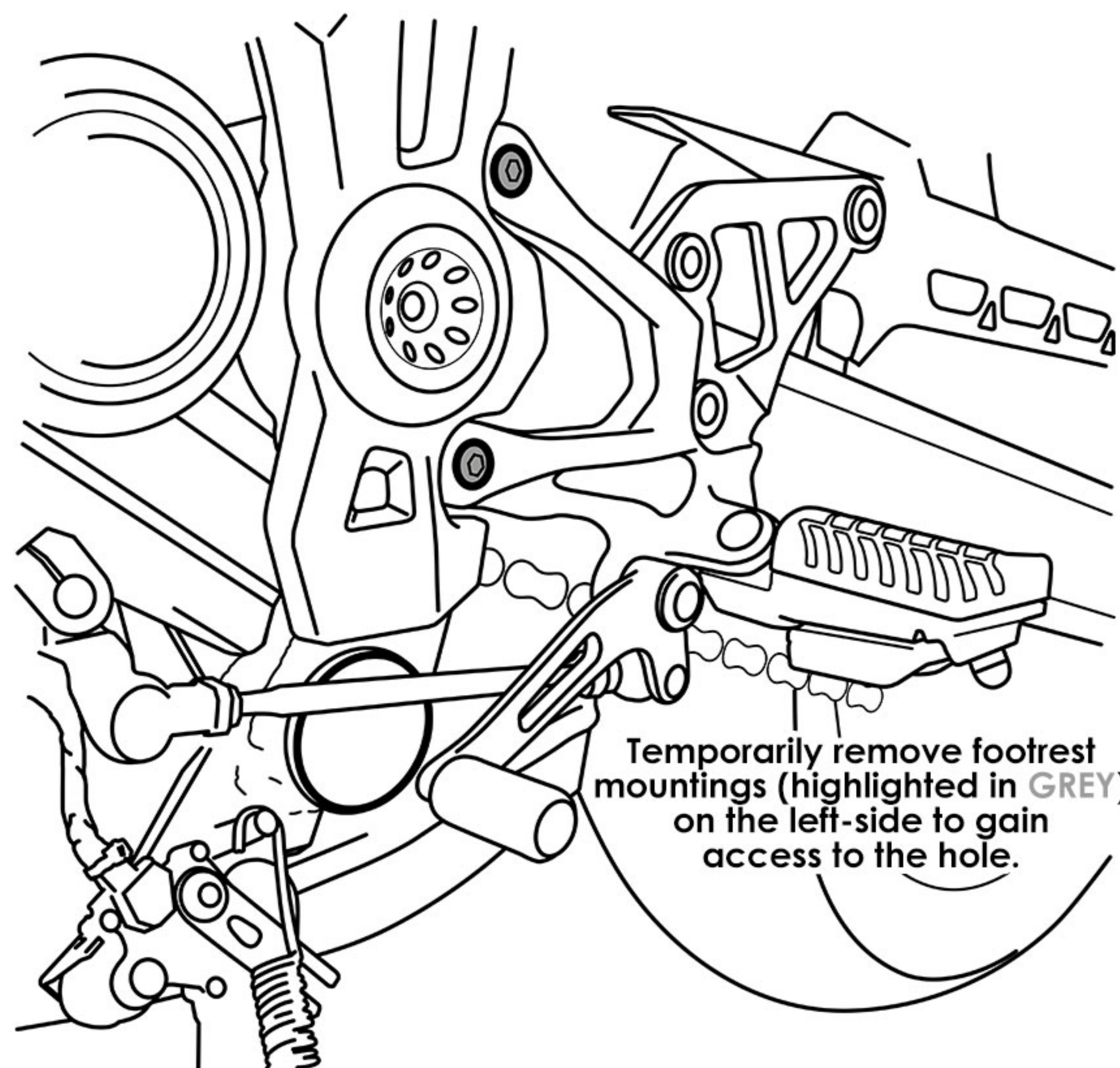
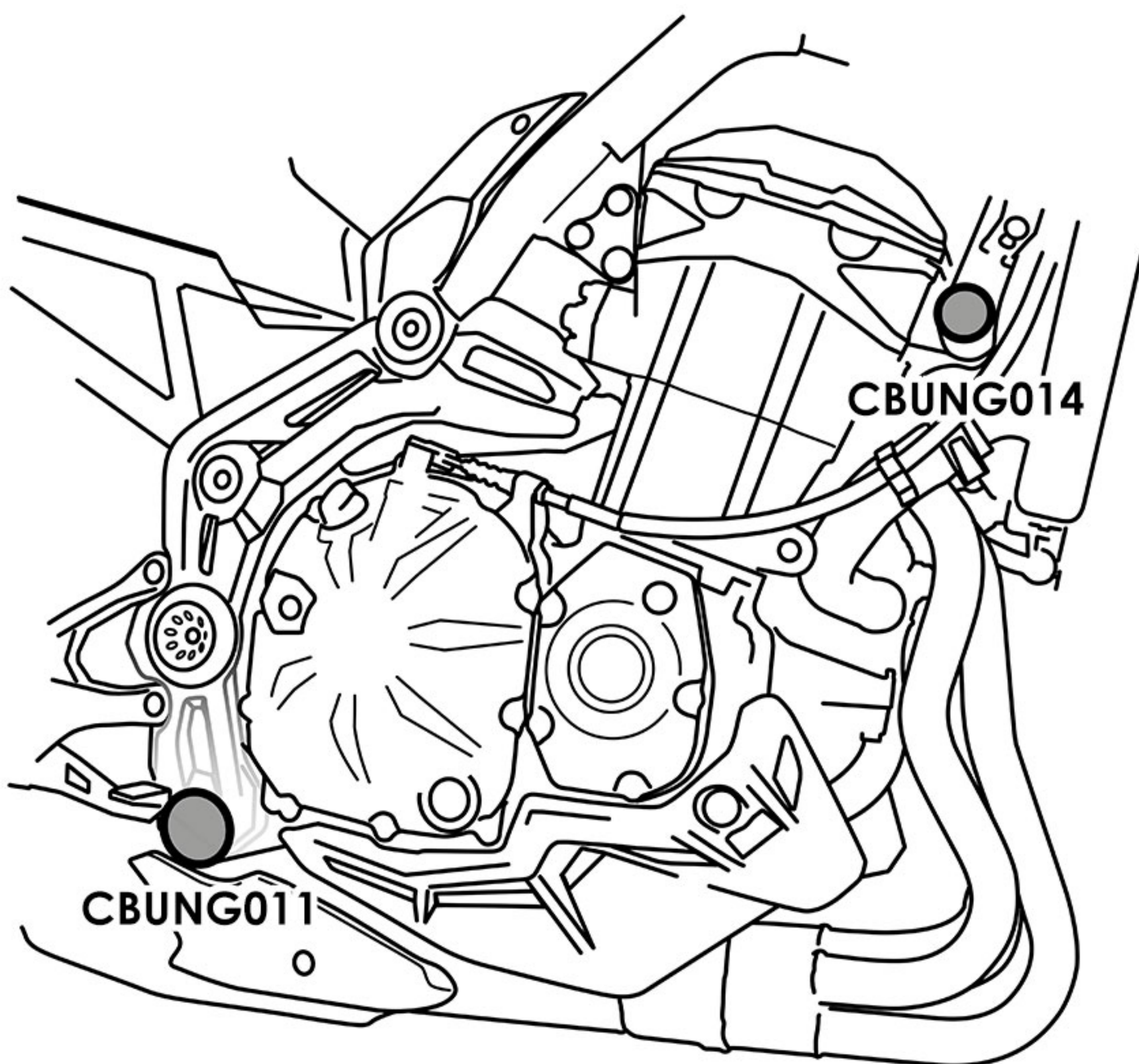
Kit Includes:

X2 50mm Cap
X2 30mm Cap

CBUNG011
CBUNG014

- Ensure holes are free from debris, dirt & moisture before fitting.

Holes are symmetrical on both sides



Contact us:

sales@pyramid-plastics.co.uk - +44 (0)1427 677990 - www.pyramid-plastics.co.uk

Follow us on social media and feel free to leave us a review!

