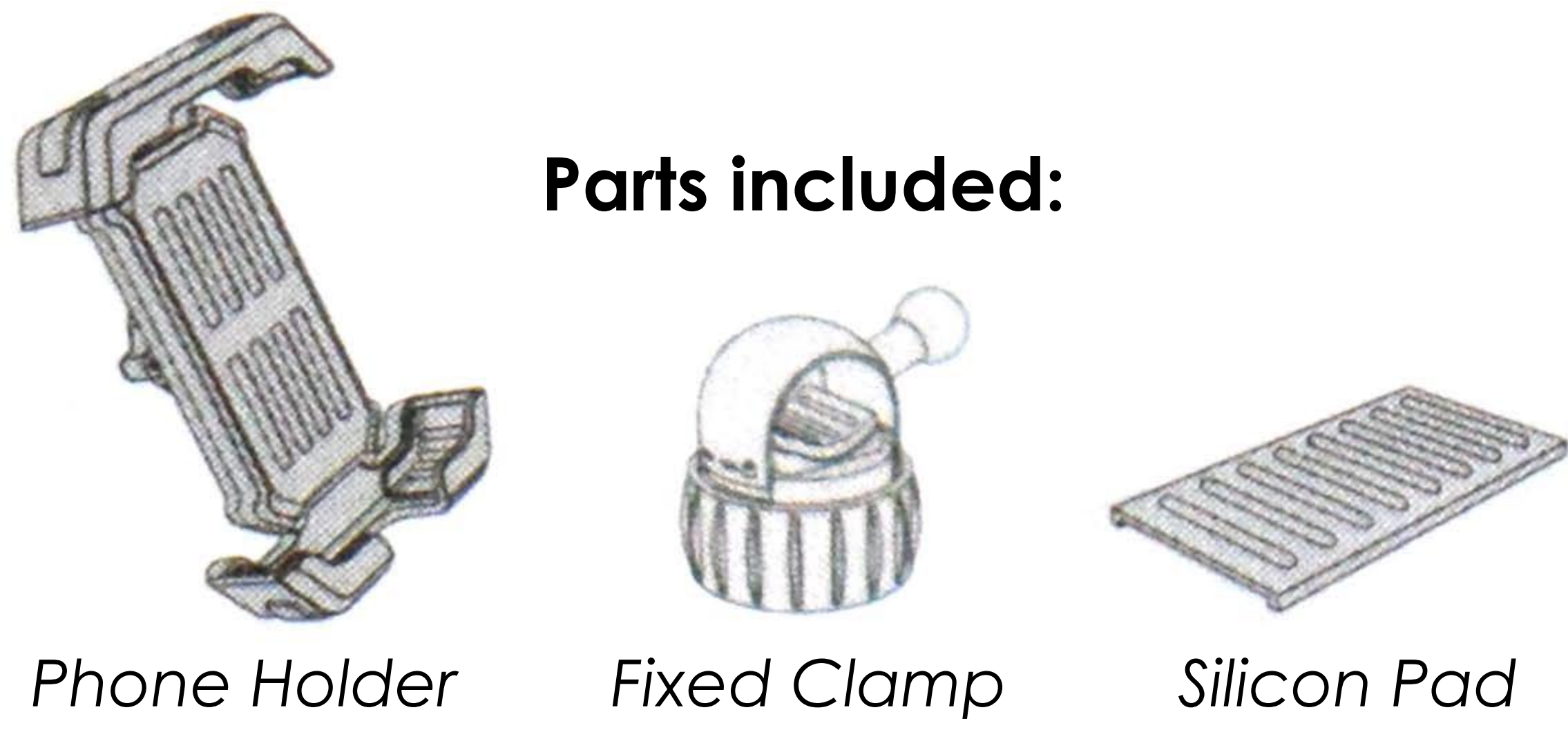


08850 Universal Phone Mount Fitting Instructions



- ① Lock lever
- ② Fixed Clamp
- ③ Joint Ball
- ④ Nut
- ⑤ Socket
- ⑥ Lower Arm
- ⑦ Upper Arm
- ⑧ Switch

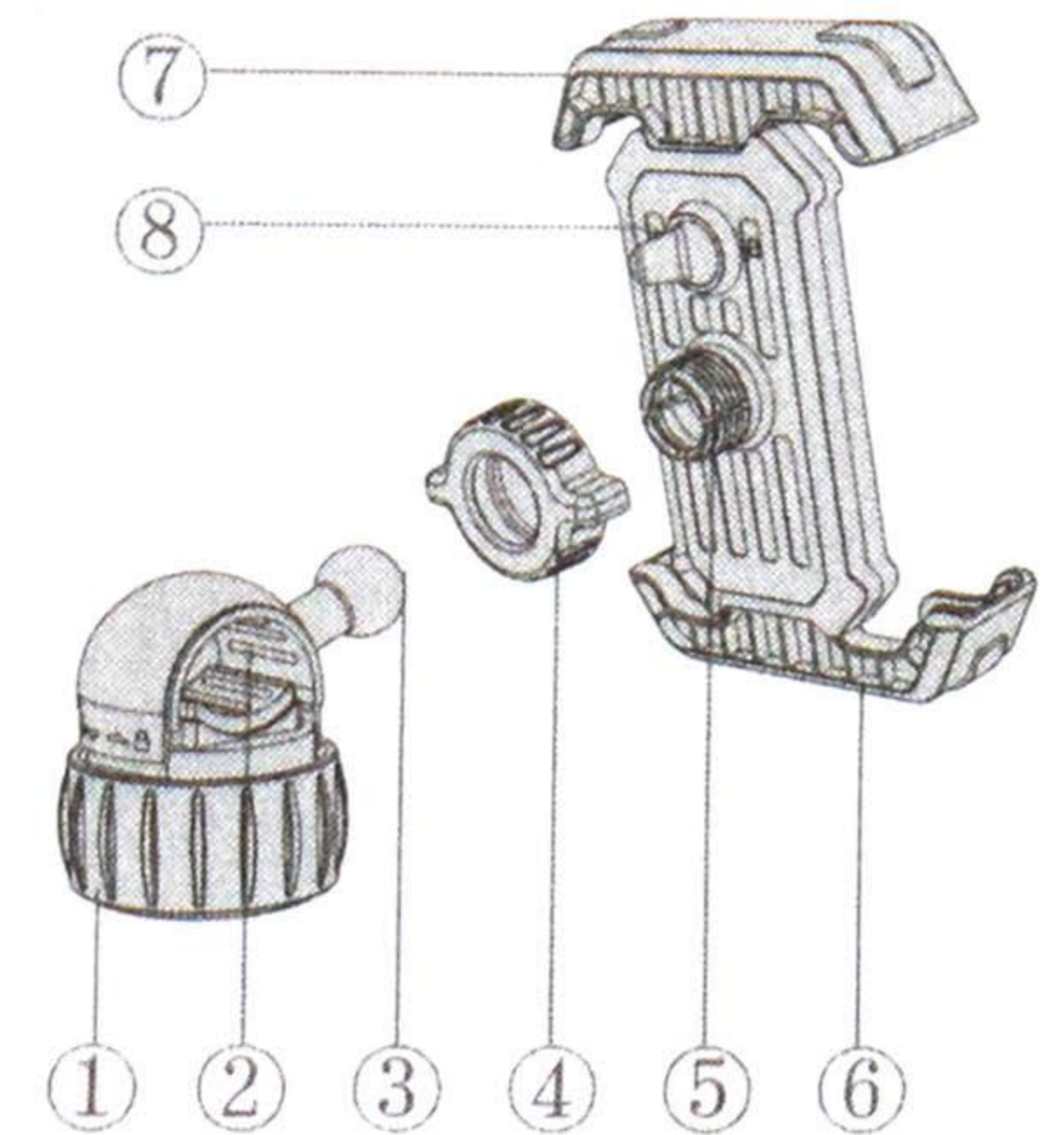


Fig 1

Unscrew the nut and press the joint ball into the socket of the phone holder through the nut. Tighten the nut.

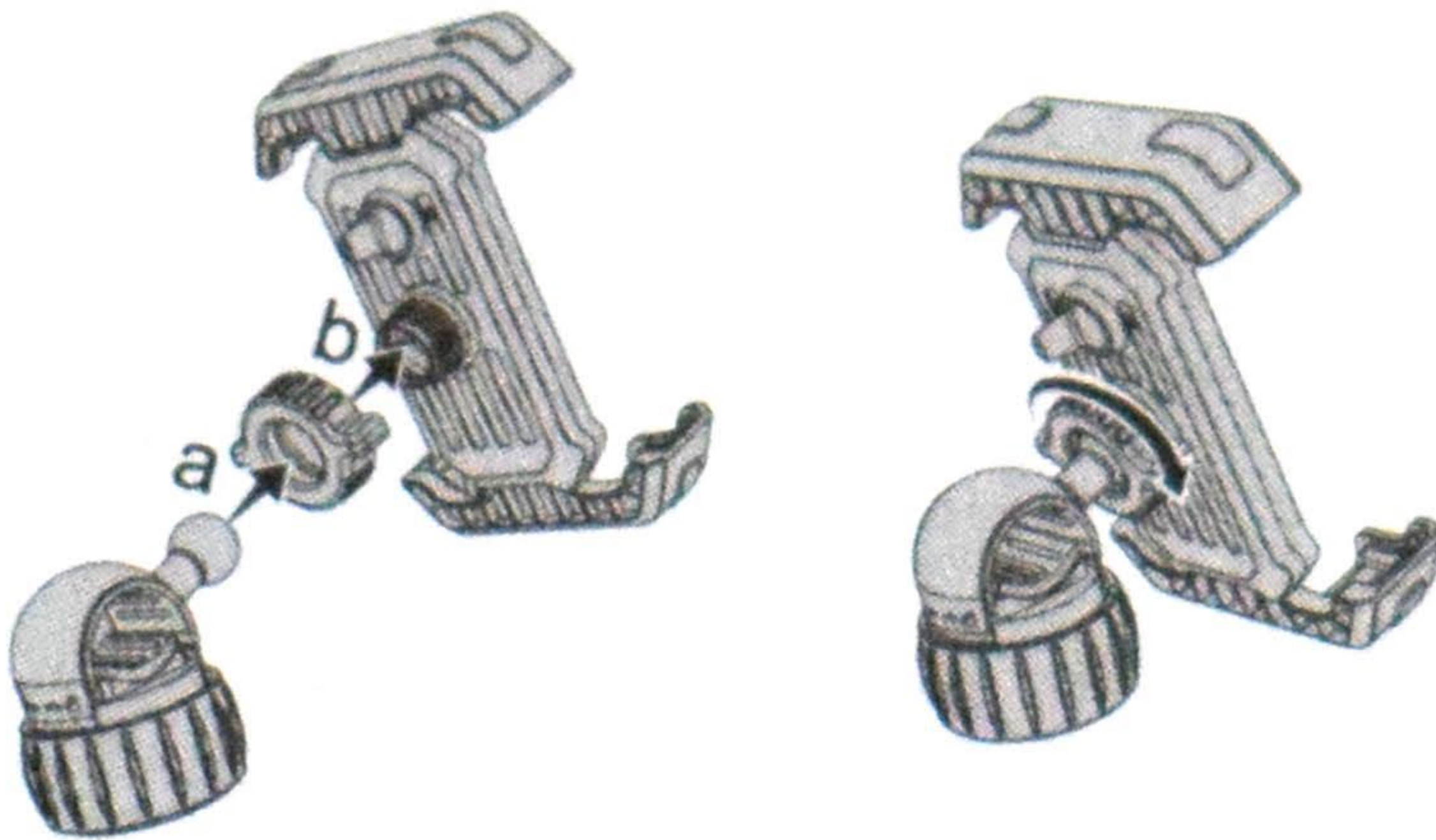


Fig 2

Loosen the fixing clamp and mount onto the handlebar.

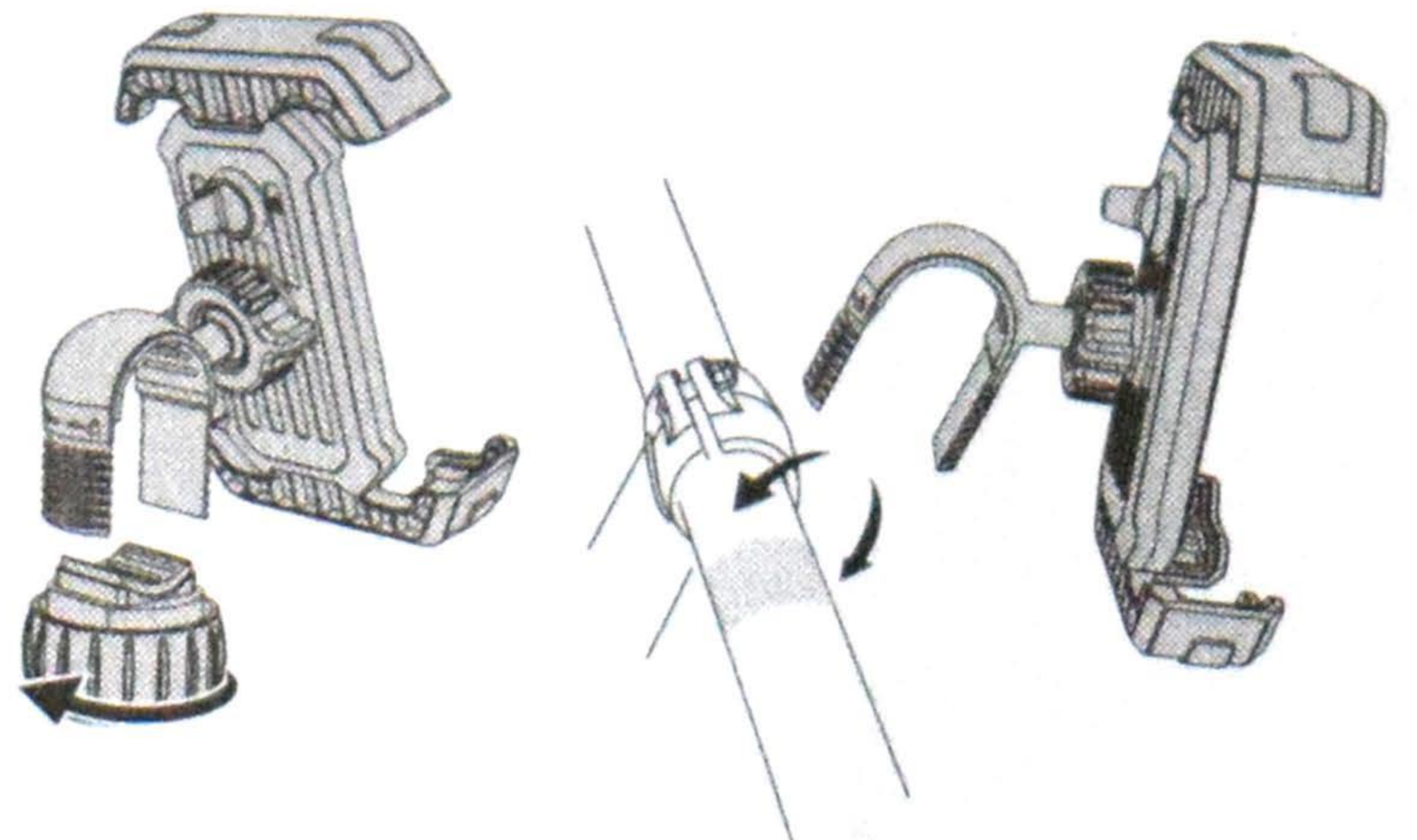


Fig 3

Tighten the clamp to lock onto the handlebar

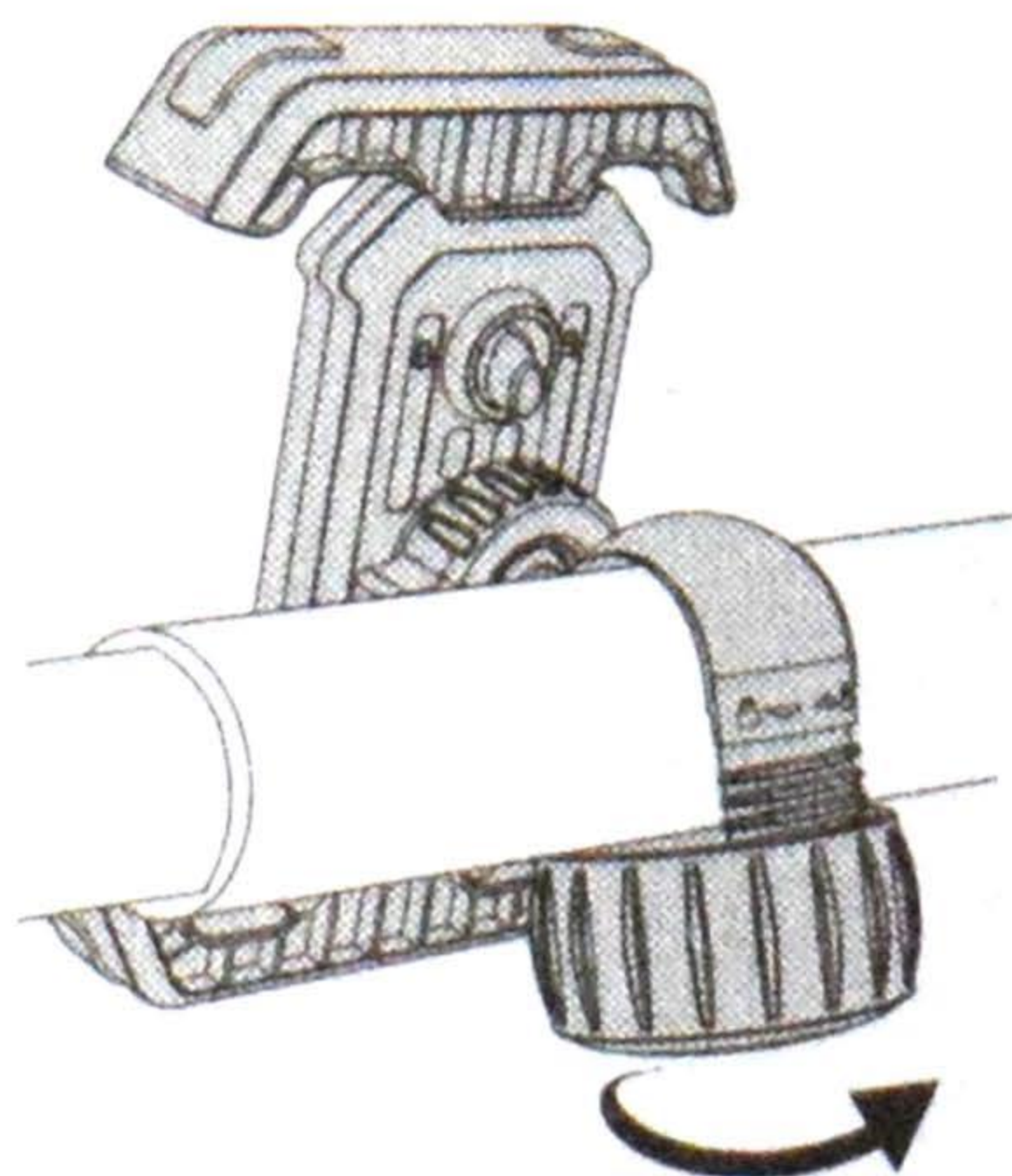


Fig 4

Ensure that the red switch on the rear is set to 'unlock'. Open the upper and lower arm and insert your phone.

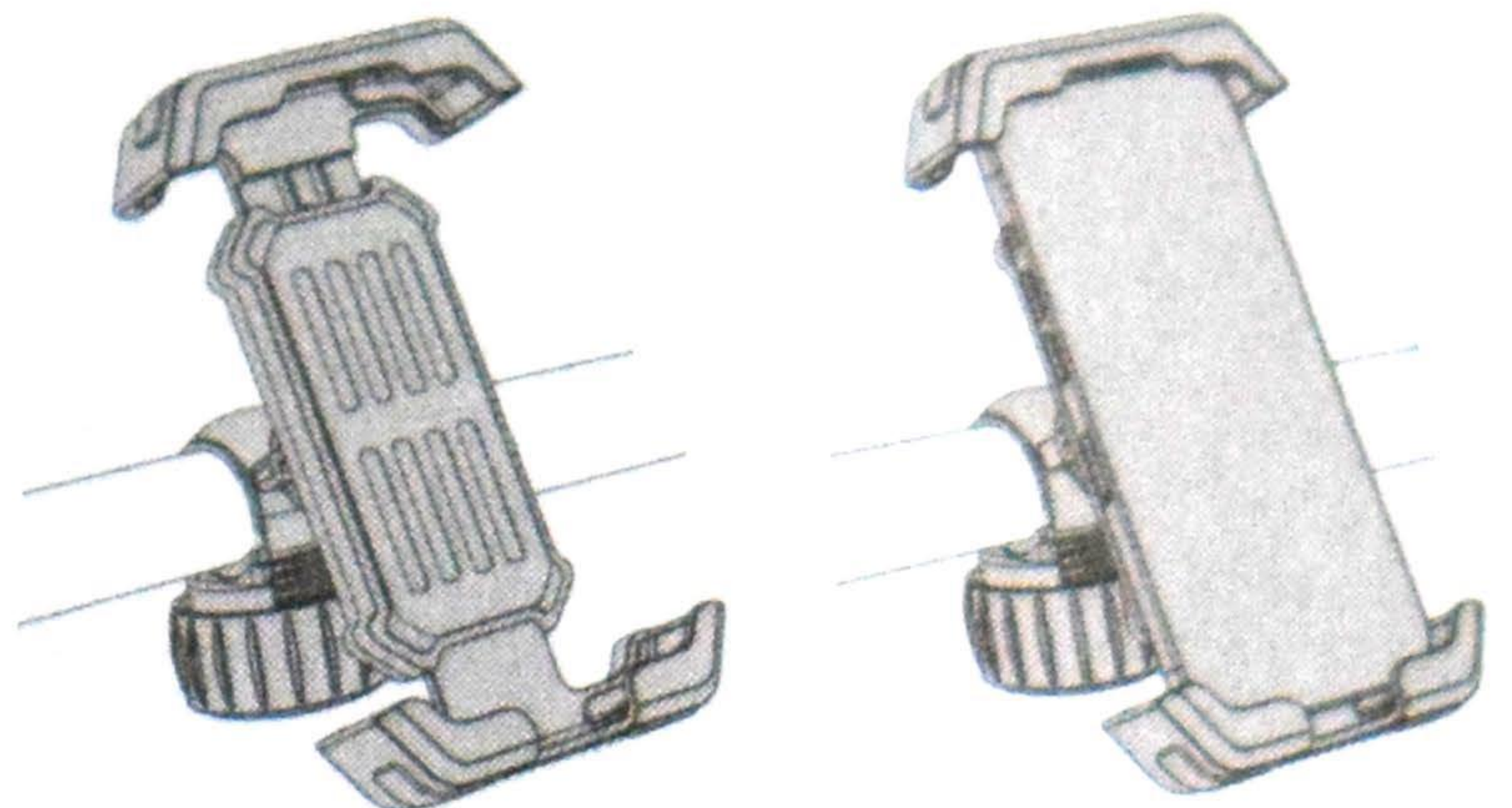


Fig 5

Flick the red switch to 'lock' when in position.

