

## 085820 Harley-Davidson Sportster S Rear Splash Protector Fitting Instructions

### Kit Includes:

1X	C085820	Rear Splash Protector
1X	CFK085820	Bracket
3X	CSPAM60005	M6 Zinc Collar
3X	CBOLM60012	M6 X 30mm Stainless Bolt
6X	CWASM60001	M6 Stainless Washer
2X	CFOA0001	Foam Strips (30mm length each - 60mm total)

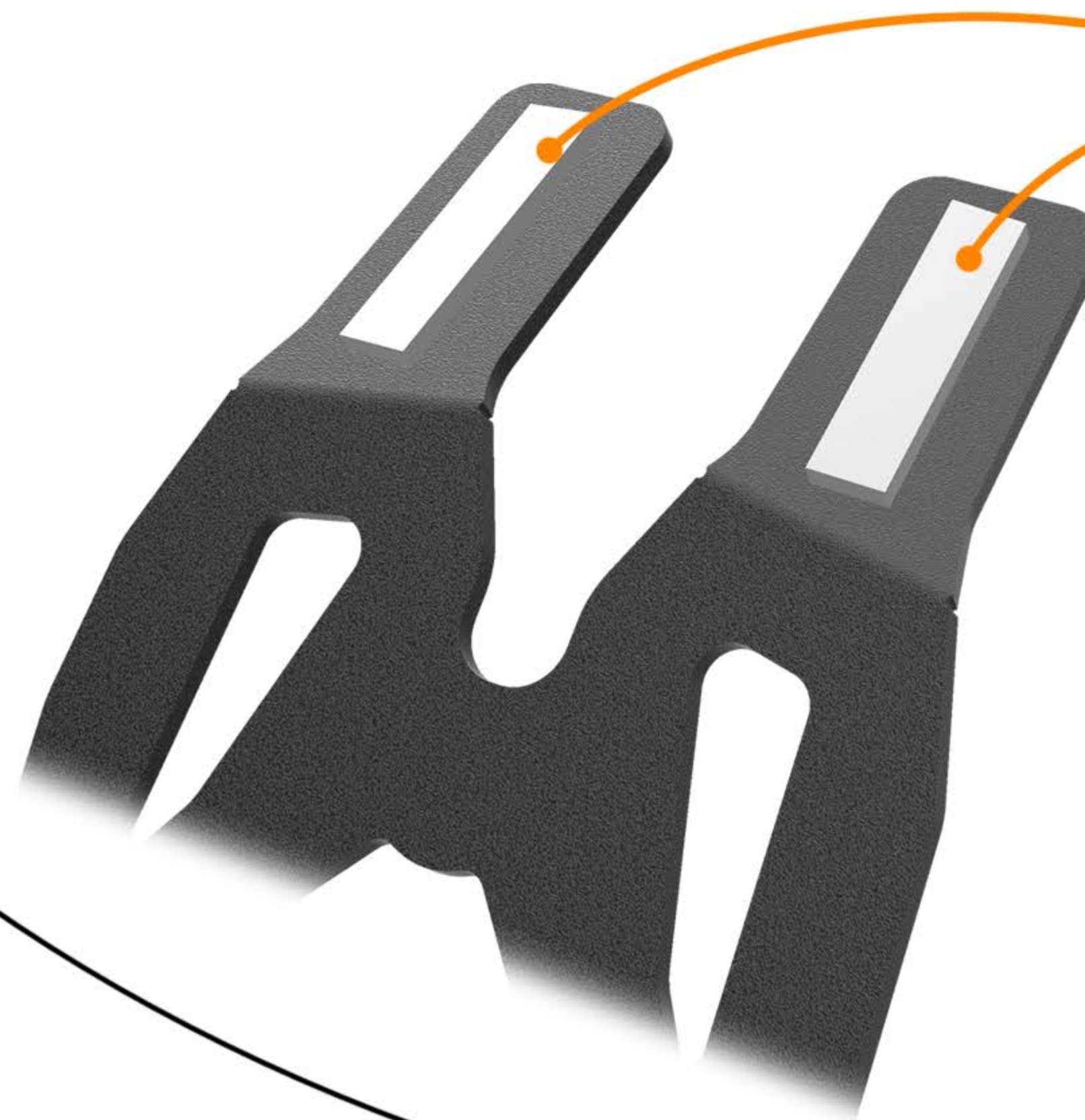
- The Pyramid rear splash protector is simple to fit. **Remove the three OEM bolts** from the rear of the license support and **fit the Pyramid rear splash protector to the same three mounting points using the bolts and fittings supplied** (see images below for guidance).
- Check fixings periodically.

Any questions?  
[sales@pyramid-plastics.co.uk](mailto:sales@pyramid-plastics.co.uk)  
 +44 (0)1427 677990  
[www.pyramid-plastics.co.uk](http://www.pyramid-plastics.co.uk)

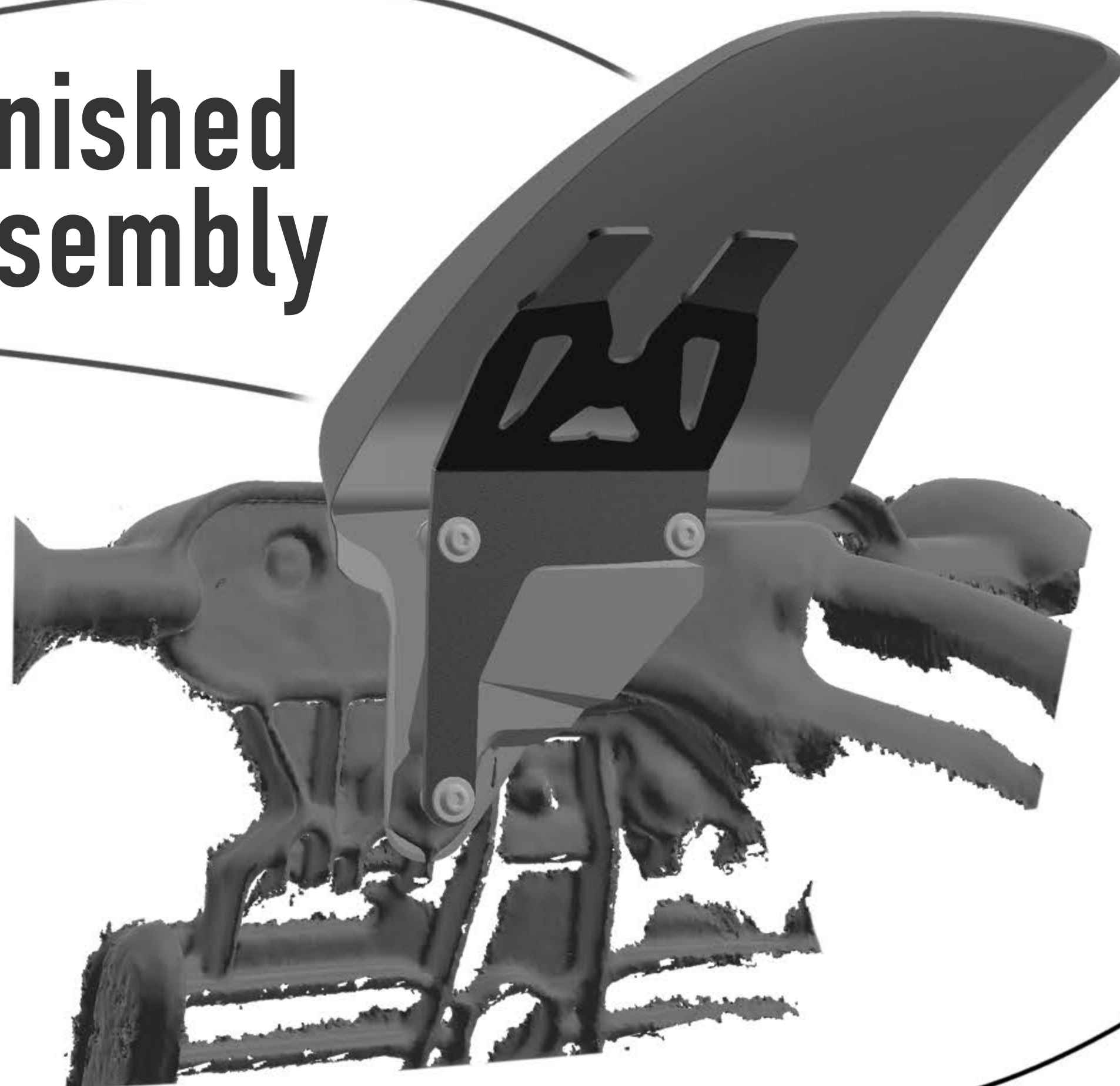


Follow us on social media and feel free to leave us a review!

Attach foam on these faces



Finished assembly



Rear Splash Protector

Bracket

How the product is assembled on the rear license support

M6 Stainless Washer

M6 Zinc Collar

M6 Stainless Washer

M6 x 30mm Stainless Bolt

