

076995 Triumph Tiger 1200 Hugger Fitting Instructions

Kit Includes:

1X	C076995	Moulding
2X	CFK076995	Bracket - left & right hand side
4X	CBOLM60001	M6 x 16mm Black Bolt
4X	CNUTM60003	M6 Nyloc Nut
4X	CWASM60004	M6 Washer
1X	CWASM100001	M10 Stainless Steel Washer
1X	CFOA0001	Foam Strip (cut to 150mm)

Fitting this Pyramid hugger is quick and simple.

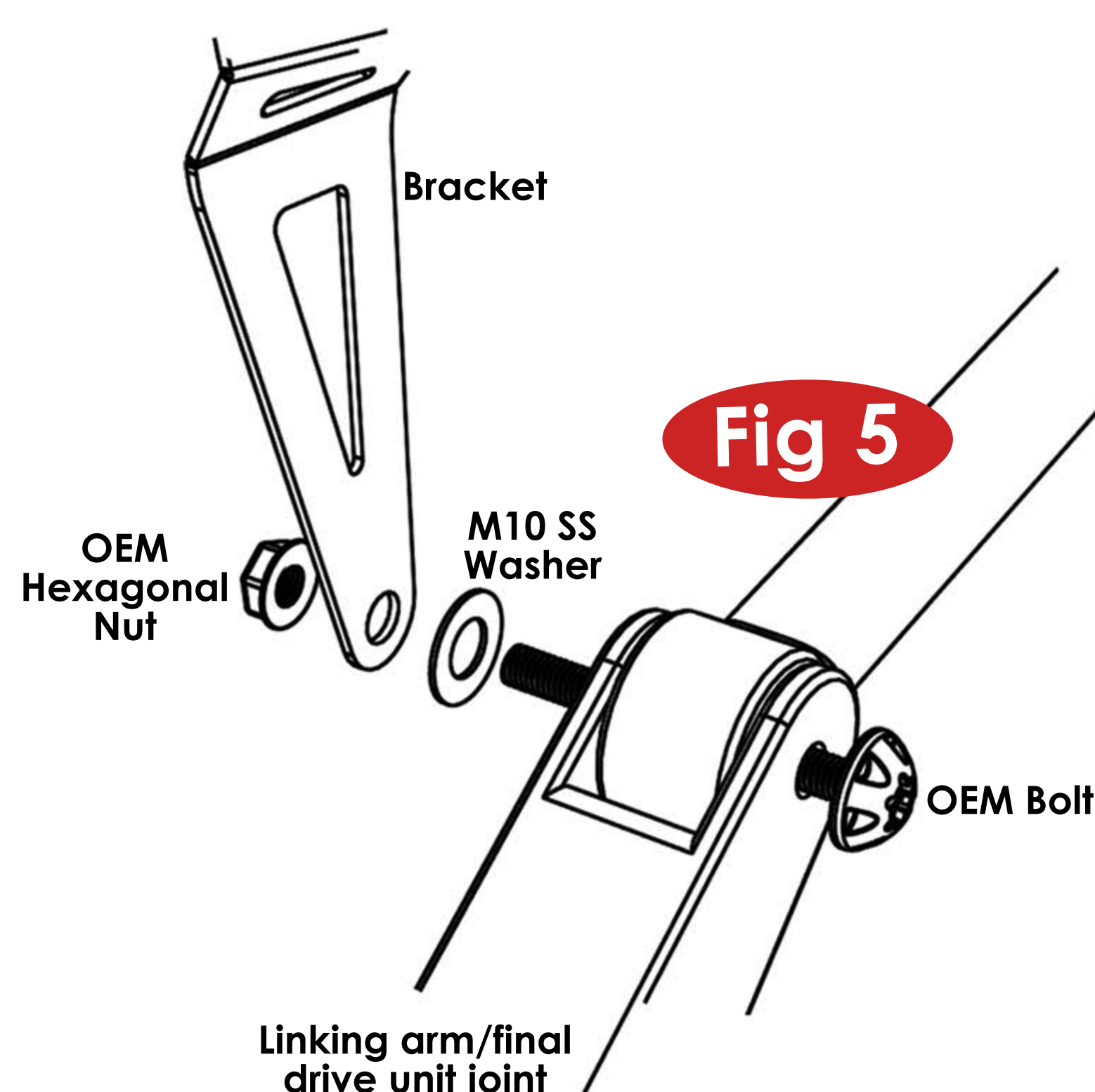
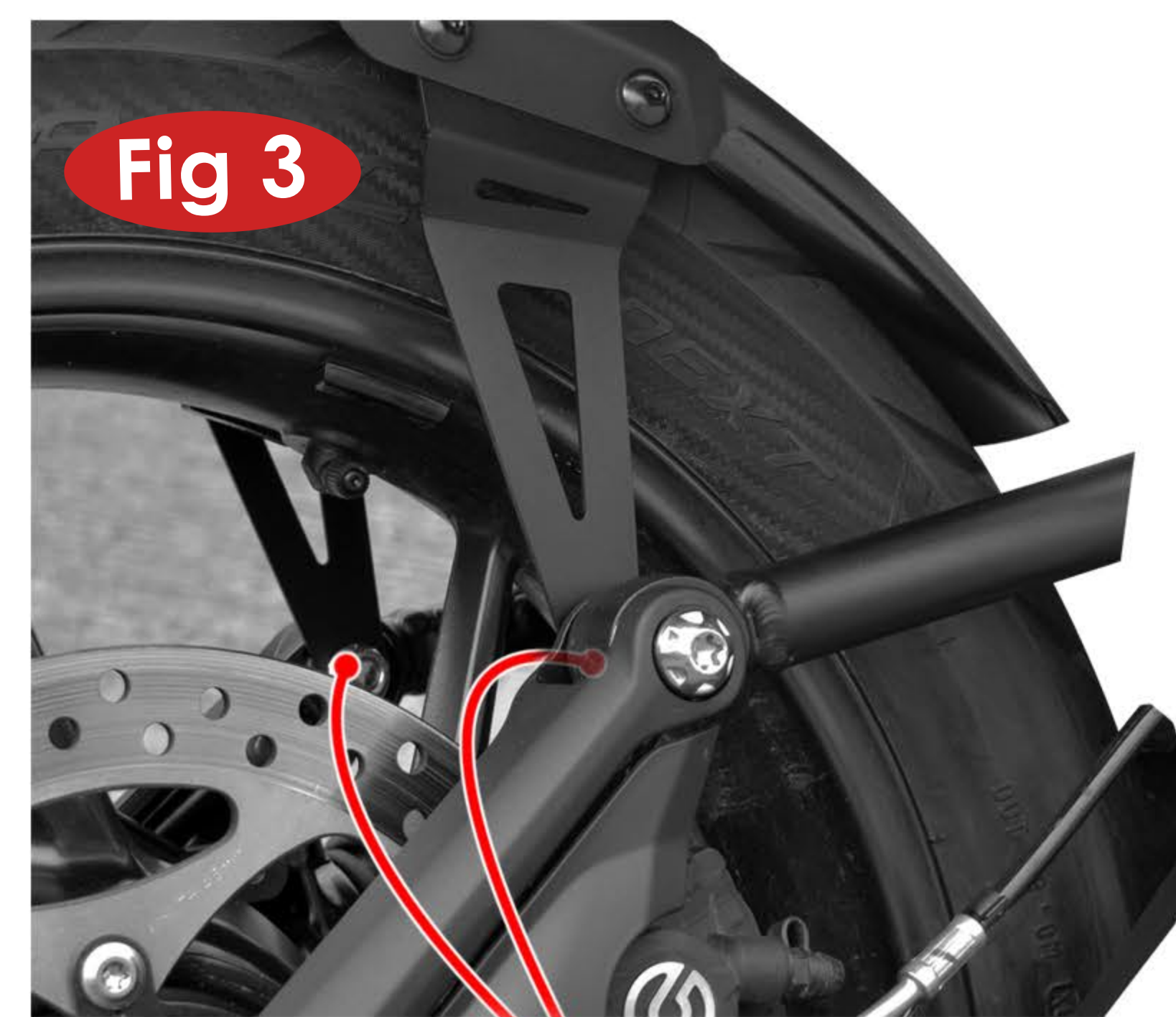
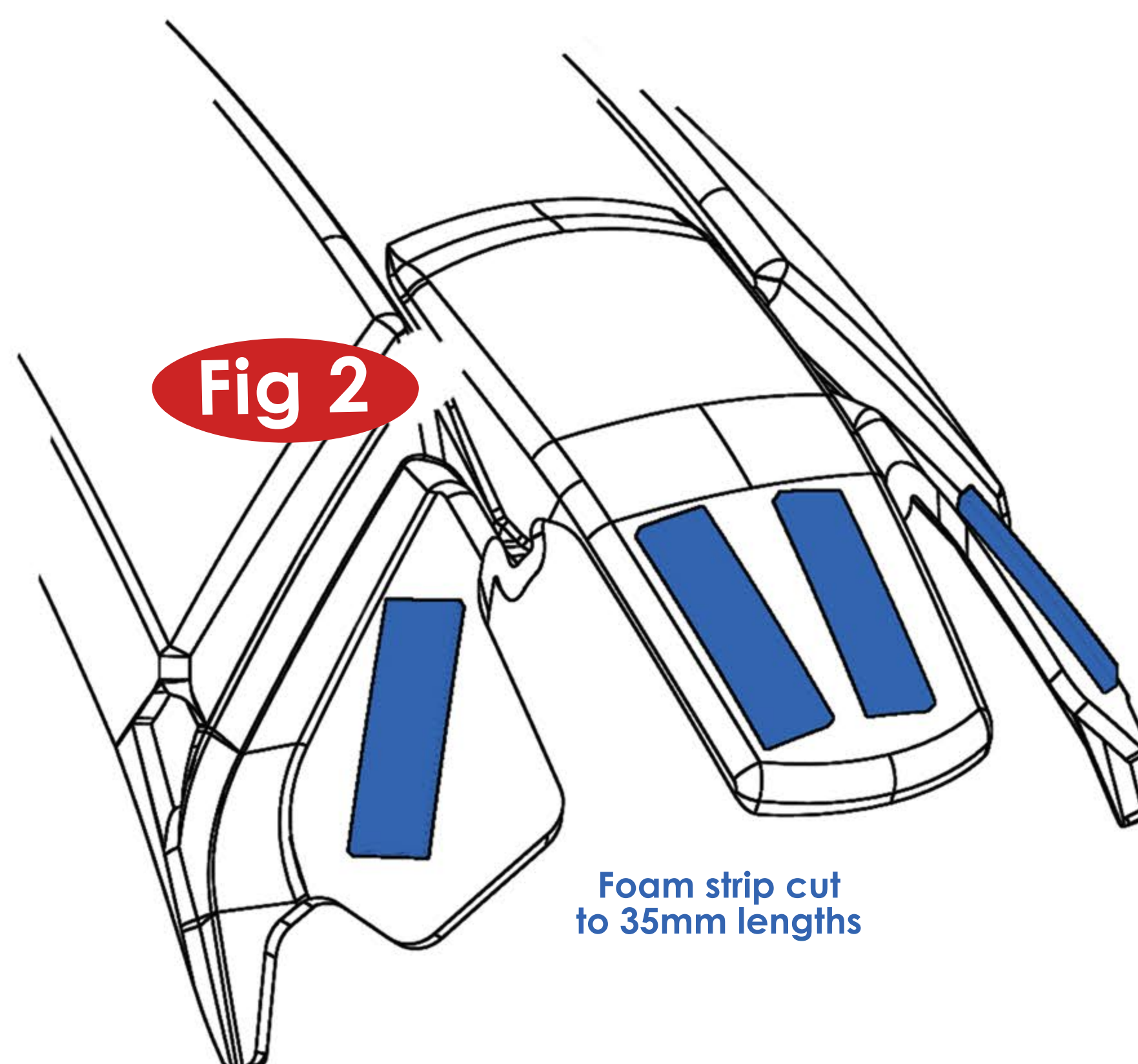
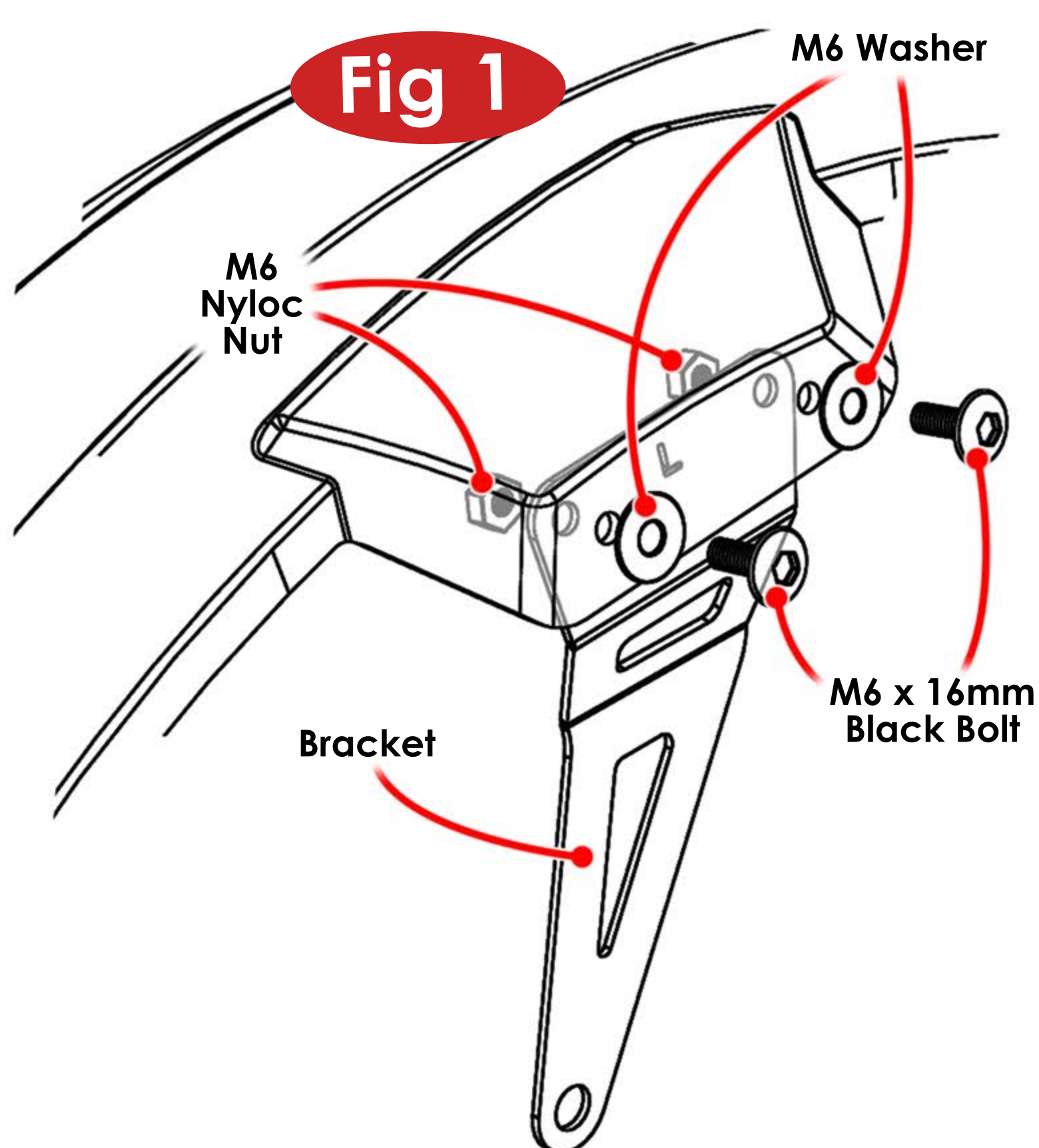
Attach the brackets to the hugger as shown in **Fig 1**.

Cut and attach the foam strip as shown in **Fig 2**.

Temporarily remove the two hexagonal nuts from either side of the swing arm. There is no need to remove the bolt which holds the linking arms in place - see **Fig 3**.

Once the foam strips are in place, slot the hugger into the original rear spray guard as shown in **Fig 4**.

Finally, attach the two brackets using the original hexagonal nuts which were removed in **Fig 3**. The M10 stainless steel washer supplied in the fitting kit is intended for use on the right hand side of the bike (see **Fig 3 & 5** for a visualisation).



let's Ride

Any questions?
sales@pyramid-plastics.co.uk
 +44 (0)1427 677990
www.pyramid-plastics.co.uk

