

PYRAMID

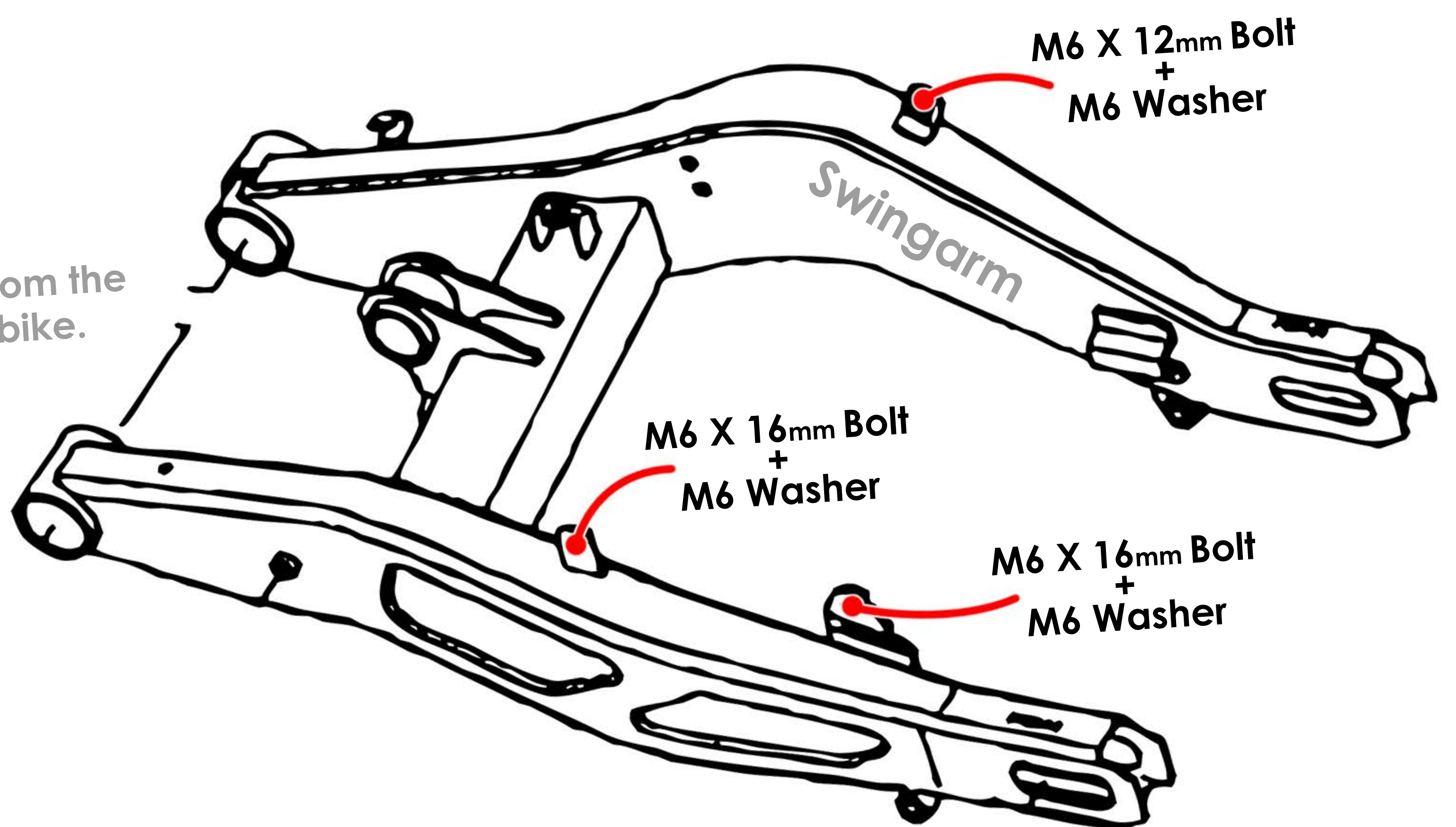
073930 Kawasaki Z650RS / Z650 Hugger Fitting Instructions

Kit Includes:

1X	Moulding	C073930
2X	M6 X 16mm Bolt	CBOLM60008
1X	M6 X 12mm Bolt	CBOLM60007
3X	M6 Washer	CWASM60003

- Remove the original hugger.
- Fit the Pyramid hugger using the fittings supplied as shown below.
- Check fixings periodically.

View of the swingarm from the left-hand side of the bike.



Any questions?
sales@pyramid-plastics.co.uk
+44 (0)1427 677990
www.pyramid-plastics.co.uk



Follow us on social media and feel free to leave us a review!

PYRAMID

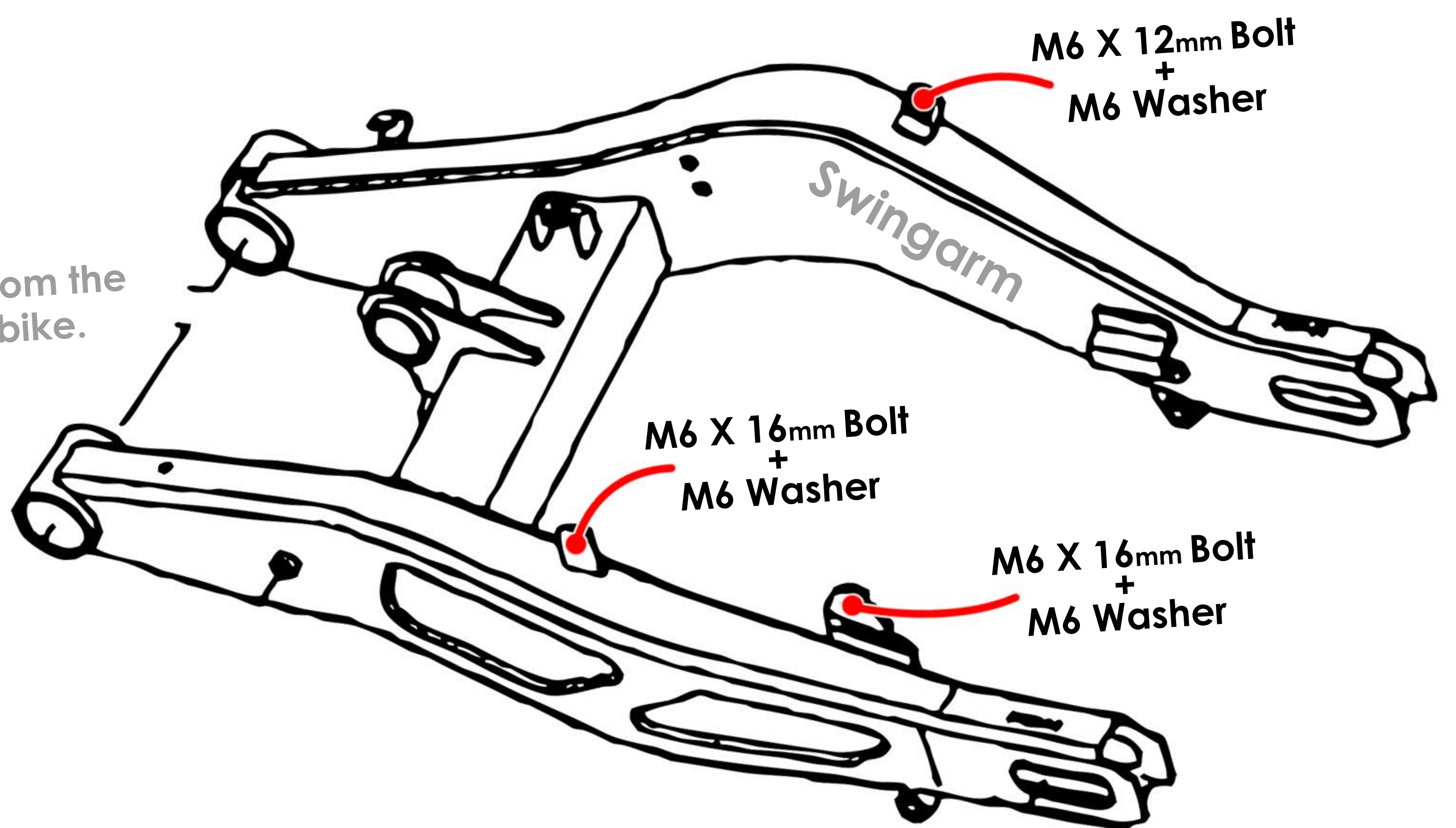
073930 Kawasaki Z650RS / Z650 Hugger Fitting Instructions

Kit Includes:

1X	Moulding	C073930
2X	M6 X 16mm Bolt	CBOLM60008
1X	M6 X 12mm Bolt	CBOLM60007
3X	M6 Washer	CWASM60003

- Remove the original hugger.
- Fit the Pyramid hugger using the fittings supplied as shown below.
- Check fixings periodically.

View of the swingarm from the left-hand side of the bike.



Any questions?
sales@pyramid-plastics.co.uk
+44 (0)1427 677990
www.pyramid-plastics.co.uk



Follow us on social media and feel free to leave us a review!