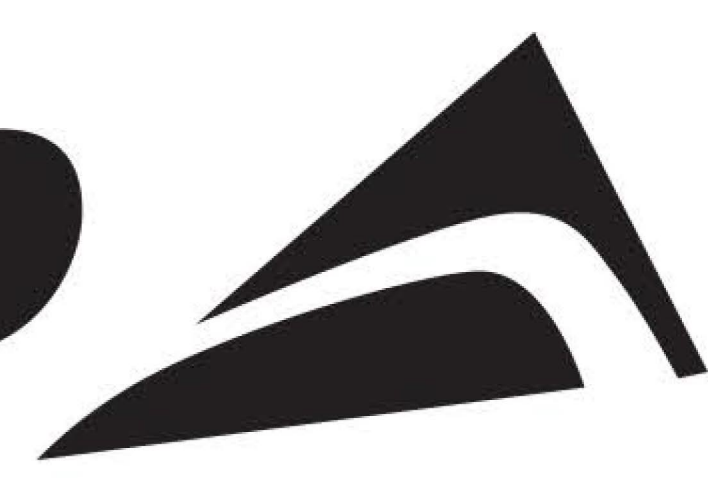


# PYRAMID



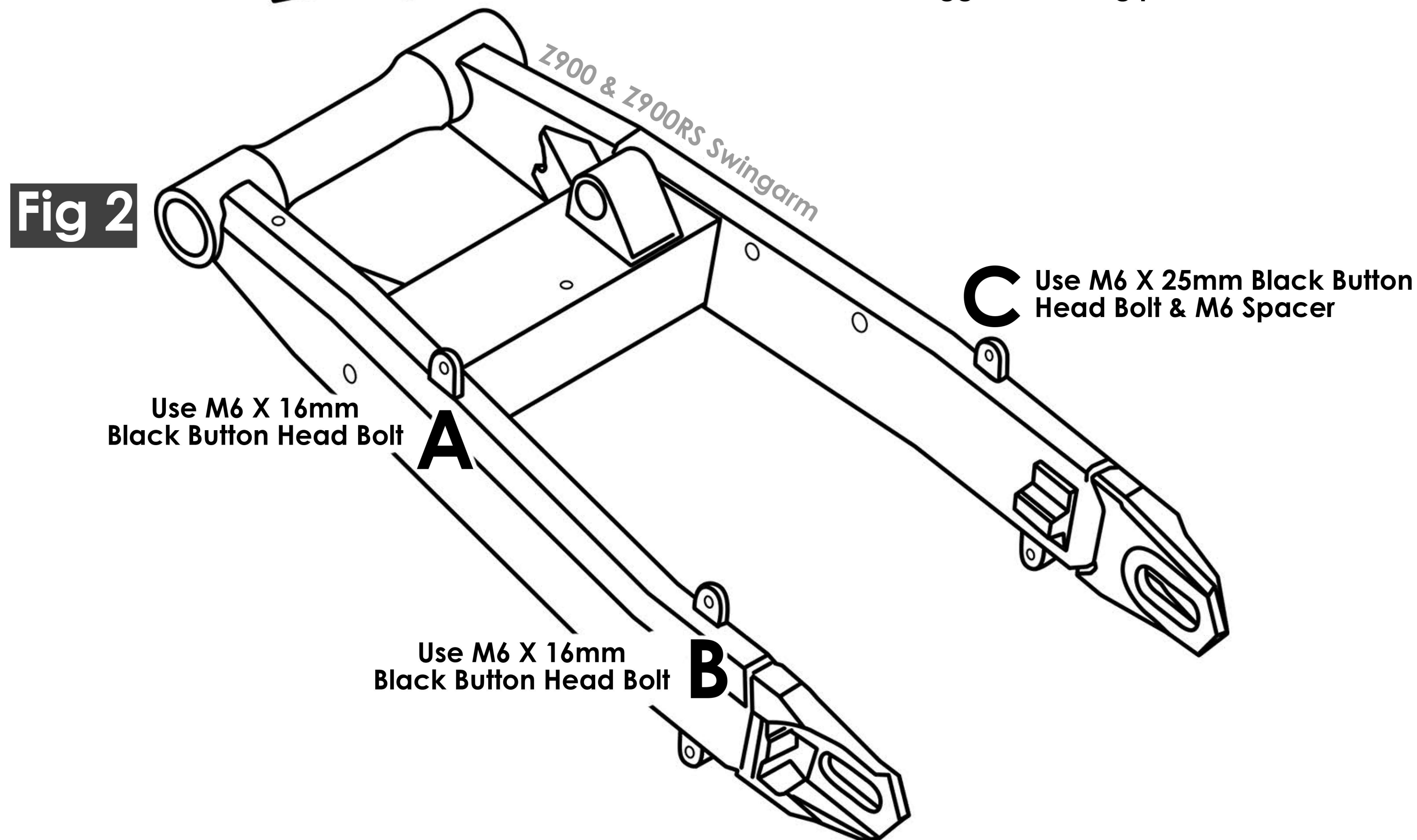
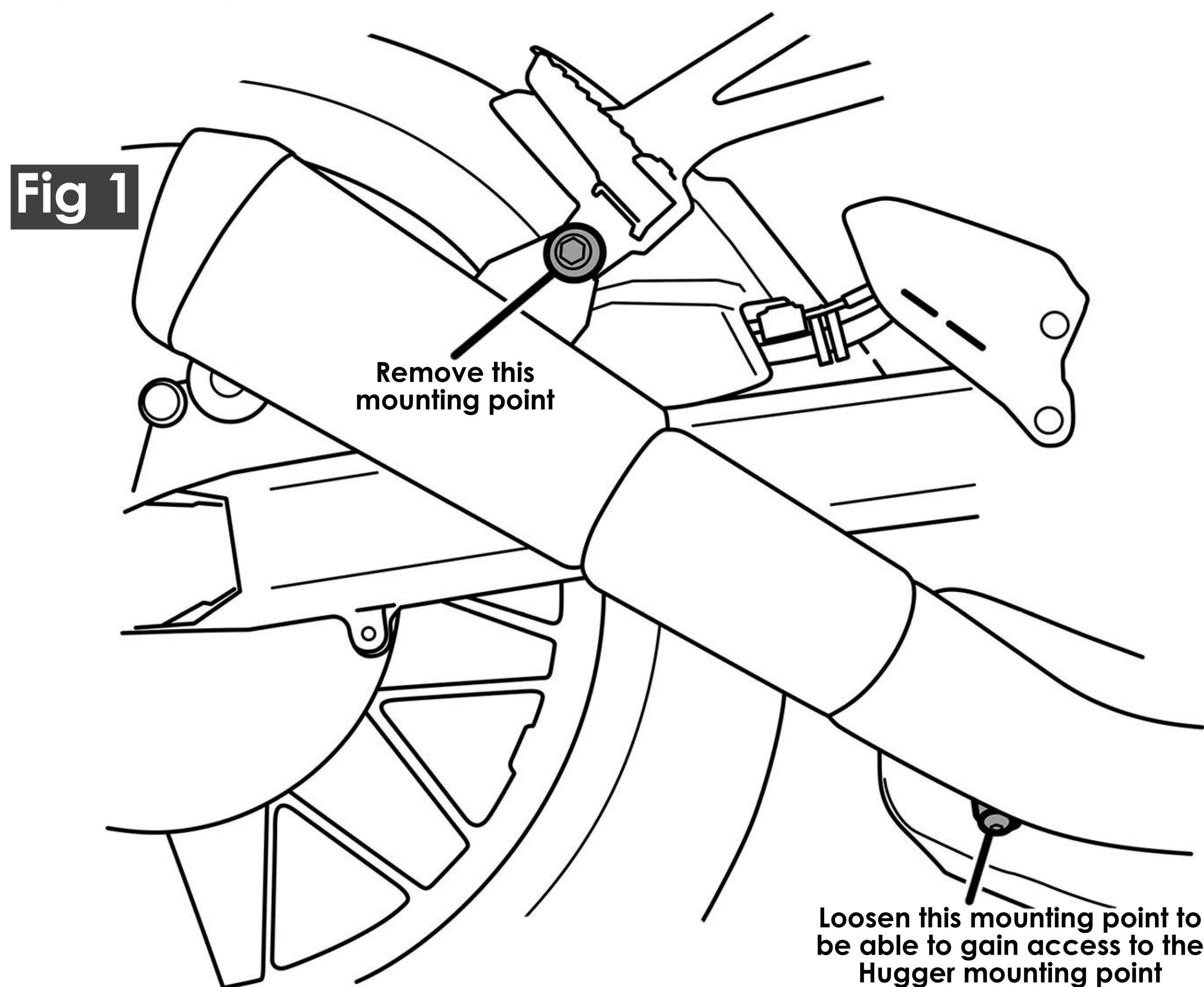
## 073880 Kawasaki Z900 & Z900RS Hugger Instructions

Kit Includes:

M6 X 16mm Black Button Head Bolt	2X	CBOLM60001	
M6 X 25mm Black Button Head Bolts	1X	CBOLM60026	
M6 Spacer	1X	CSPAM60018	
13mm Grommets	3X	CGROM60001	
6mm Steel Collars	3X	CSPAM60006	
Black Rubber Trim (270mm)	1X	CTRIM0002	
Included decals for 073880B	1X	CBRA0017A	1X CBRA0018A
Included decals for 073880R	1X	CBRA08230P (Yellow Ball Decals - two designs)	

- Firstly fit the three 13mm Grommets & 6mm steel collars to the Pyramid Hugger. The Black Rubber Trim (270mm) can be cut down and attached to the bottom edges of the Pyramid Hugger to prevent any scratching on the swingarm.
- Remove the OEM Hugger and place all fittings to one side.  
**Please note:** you may need to temporarily loosen the exhaust can to gain access to the mounting point behind it (See Fig 1).
- Place the Pyramid Hugger over the rear wheel and loosely fit into place taking note of the fittings mentioned in Fig 2.
- Once loosely fitted, tighten up all of the mounting points evenly. If the exhaust can was adjusted for fitment, it can now be refitted.
- Be sure to check mounting points periodically.

**Please note** that bikes with incorrect suspension settings (especially those with lowering linkages) may allow the battery box to collide with the top of the hugger during extreme compression. To avoid this please make sure your suspension is set correctly for your riding weight. Unfortunately, we cannot be held responsible for damages of these kind.



Any questions?  
sales@pyramid-plastics.co.uk  
+44 (0)1427 677990  
www.pyramid-plastics.co.uk

Follow us on social media and feel free to leave us a review!

