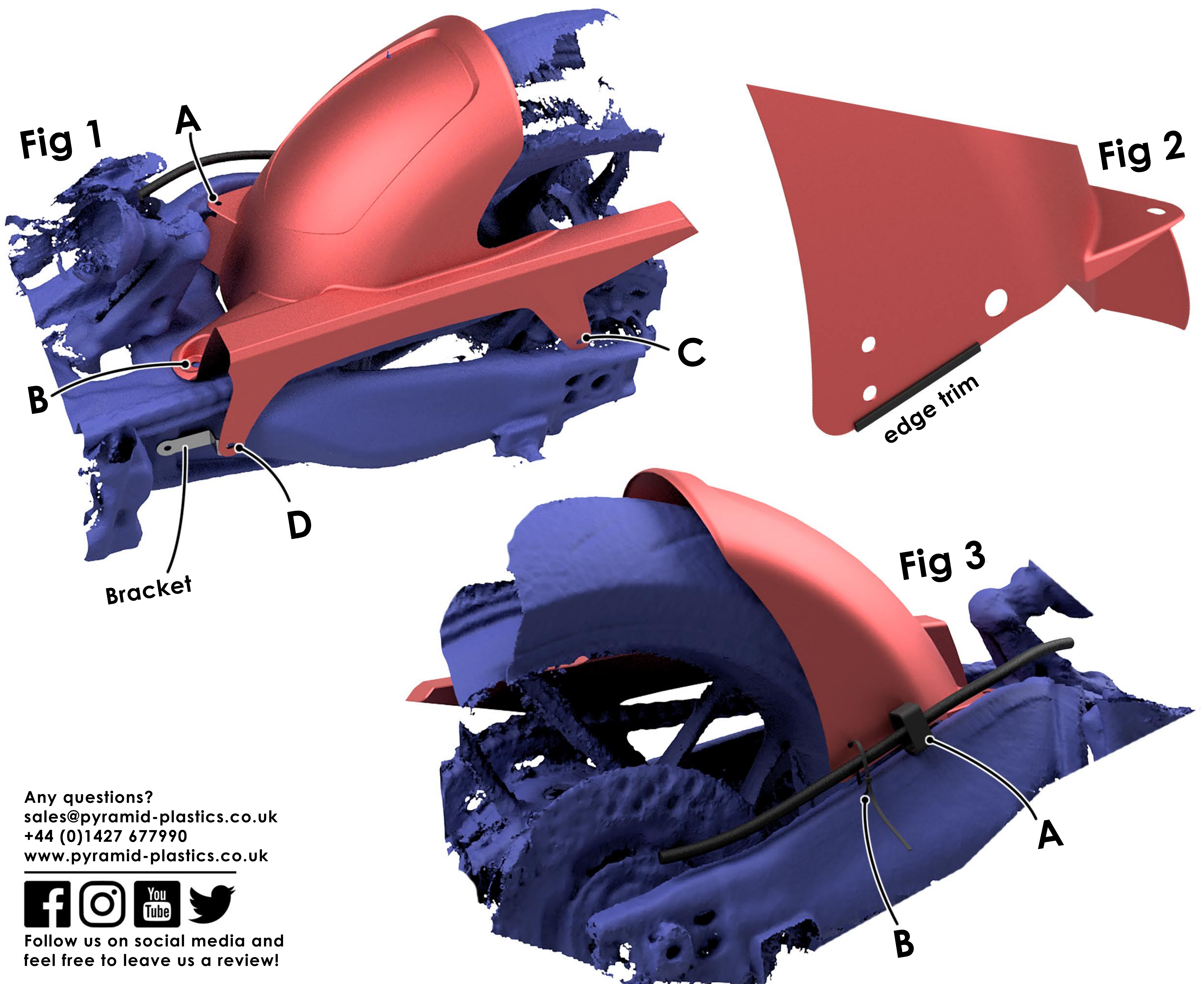


## 072451 Yamaha MT-09 Hugger Fitting Instructions

### Kit Includes:

1X	C072451	Moulding
1X	CFK072451	Bracket
1X	CBOLM60008	M6 X 16mm Stainless Steel Bolt
4X	CWASM60003	M6 Plastic Washer
1X	CNUTM60003	M6 Nyloc Nut
1X	CTRIM0002	Black Edge Trim (50mm length)
1X	CAB0200	Small Cable Tie

- Remove the OEM hugger from the bike. Remove the right-hand side rider foot peg for access.
- Fit the bracket provided as shown in **Fig 1** below. Use the OEM bolt and OEM shouldered washer to fit the bracket. Start by fitting the bracket loosely.
- Fit the edge trim supplied to the right-hand side of the hugger as shown in **Fig 2** below.
- Position the Pyramid hugger on the bike as shown in **Fig 1**. Use the OEM bolts and M6 washers provided at points A, B & C as shown in **Fig 1**. loosely tighten initially.
- Use the M6 x 16mm stainless steel bolt, M6 plastic washer and M6 nyloc nut to attach the Pyramid hugger to the bracket at the point marked 'D' in **Fig 1**.
- Attach the brake hose guide (marked 'A' in **Fig 3**) around the brake hose and into the Pyramid hugger. Use cable tie supplied for extra support at the rear of the right-hand side of the Pyramid hugger (marked 'B' in **Fig 3**).
- Check alignment before tightening up all fixings. Trim any excess from the cable tie and refit the foot peg removed in the first step. Be sure to check fixings periodically.



Any questions?  
[sales@pyramid-plastics.co.uk](mailto:sales@pyramid-plastics.co.uk)  
 +44 (0)1427 677990  
[www.pyramid-plastics.co.uk](http://www.pyramid-plastics.co.uk)



Follow us on social media and feel free to leave us a review!