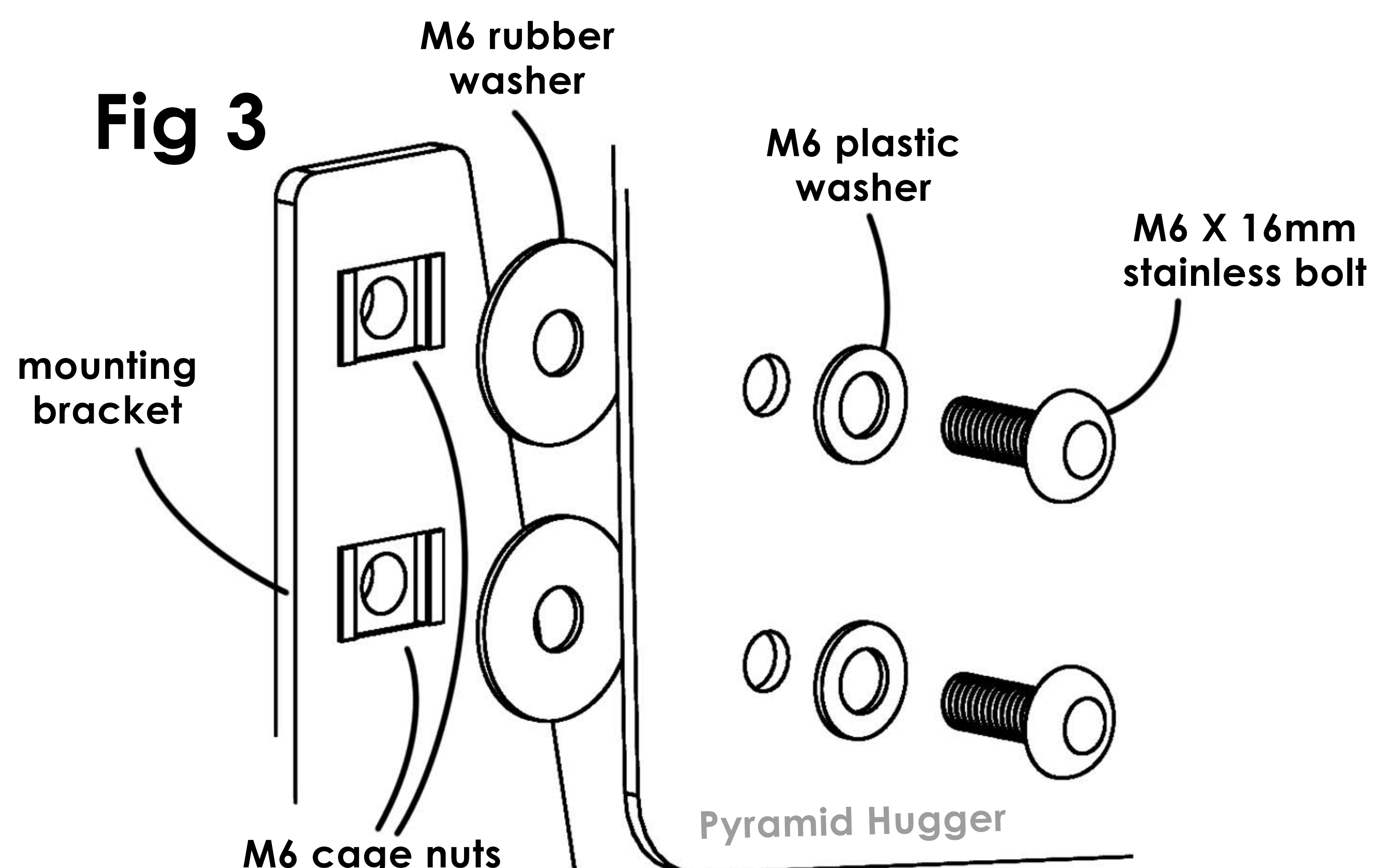
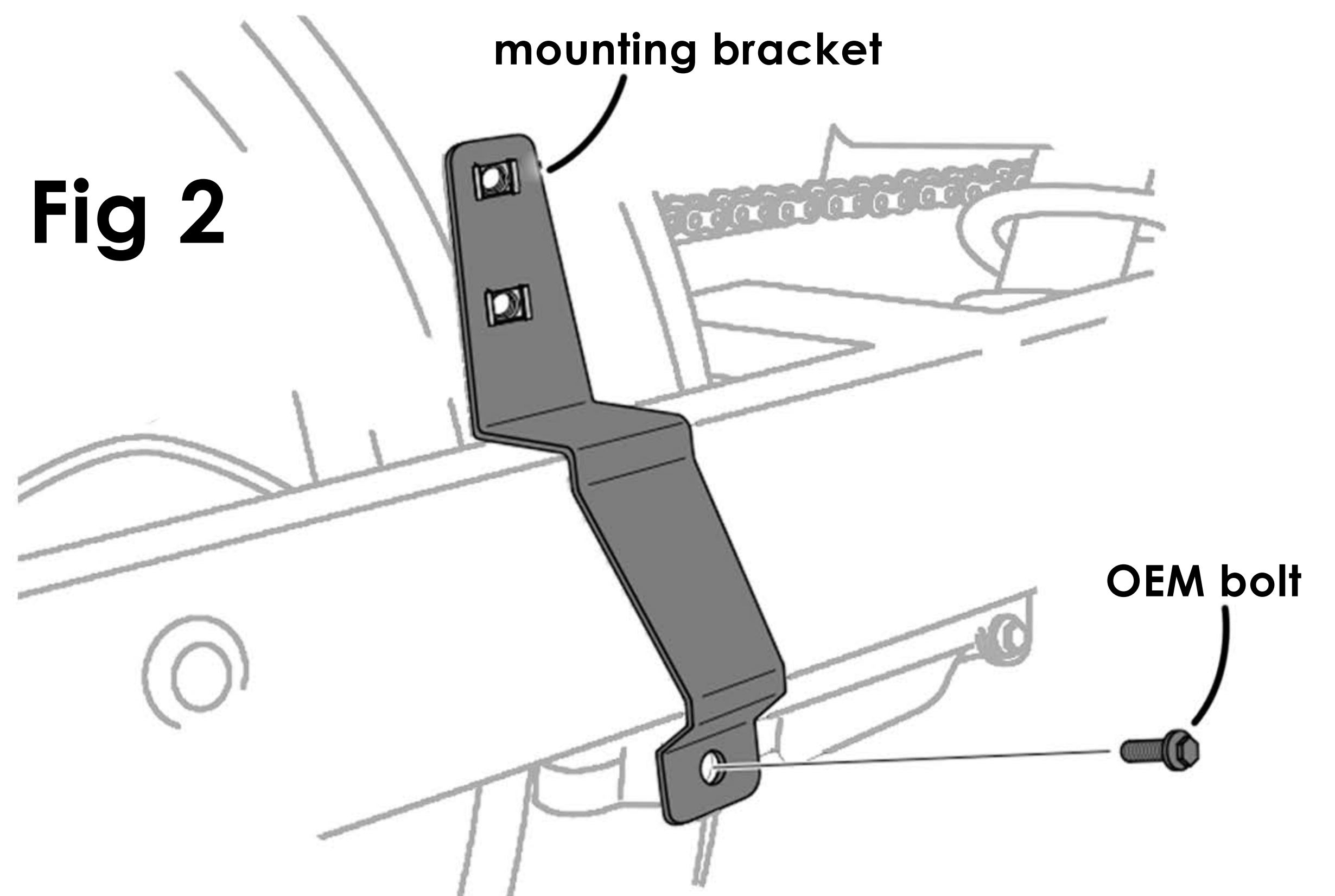
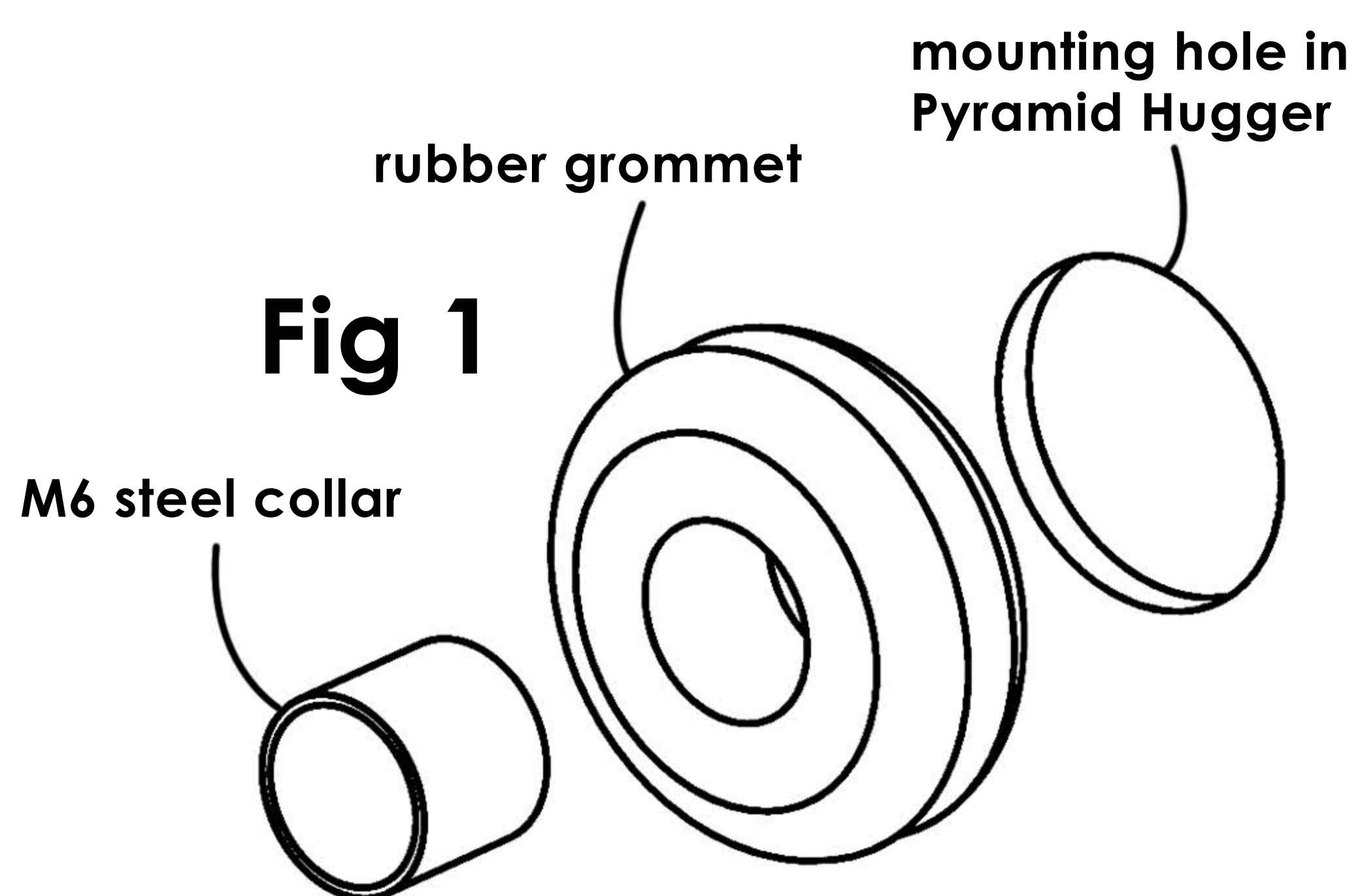


071974 Honda CB500X Hugger Fitting Instructions

Kit Includes:

1X	C071974	Hugger Moulding	
1X	CFK071974	Mounting Bracket	
4X	CBOLM60008	M6 X 16mm Stainless Bolt	
2X	CWASM60003	M6 Plastic Washer	
2X	CWASM60007	M6 Rubber Washer	
2X	CGROM60001	Rubber Grommet	
2X	CSPAM60004	M6 Steel Collar (8mm)	
2X	CNUTM60008	M6 Cage Nut	
1X	CFOA0001	Foam Strip (30mm length)	(pre-cut by Pyramid)

- To gain better access to the rear swingarm, remove the exhaust and right-hand side pillion footpeg. Also remove the left-hand side rider and pillion footpegs.
- Remove the OEM chainguard.
- Install the **rubber grommets** and **M6 steel collars** in the two holes on the chainguard side of the Pyramid Hugger (**see Fig 1 below**). Fit the **M6 cage nuts** (**See Fig 2 & 3 below**).
- The mounting bracket supplied with the Pyramid Hugger is attached on the right-hand side of the bike. Remove the OEM bolt and fit the mounting bracket loosely using the same OEM bolt (**see Fig 2 below**).
- Loosely attach the Pyramid Hugger to the mounting bracket using **two M6 X 16mm stainless bolts**, **two M6 plastic washers** and **two M6 rubber washers** (**see Fig 3 below**).
- Loosely attach the chainguard side of the Pyramid Hugger using the remaining **two M6 X 16mm stainless bolts** (fitted through the previously installed rubber grommets and M6 steel collars).
- **Fully tighten all mounting points** and then re-install all items which were removed in the first bullet point.
- **Check all fixings periodically.**



Any questions?
sales@pyramid-plastics.co.uk
 +44 (0)1427 677990
www.pyramid-plastics.co.uk



Follow us on social media and feel free to leave us a review!