



## Installation Guide



## Rear Platform Mounting Posts UN0107B

All Flatline Van Co products must be properly assembled and secured before attaching to your vehicle. Improper attachment could result in an automobile accident, and could cause serious bodily injury or death to you or to others involved. You are responsible for assembling and securing Flatline Van Co products to your vehicle, checking the mounting points and attachments prior to use, and regularly inspecting the products for wear and or damage. We always recommend you use a professional to install any aftermarket accessories to your vehicle. If you have no mechanical experience and are not thoroughly familiar with the installation procedures, you must have the product installed by a professional installer or other qualified persons. The responsibility is yours and must be taken seriously for everyone's safety.



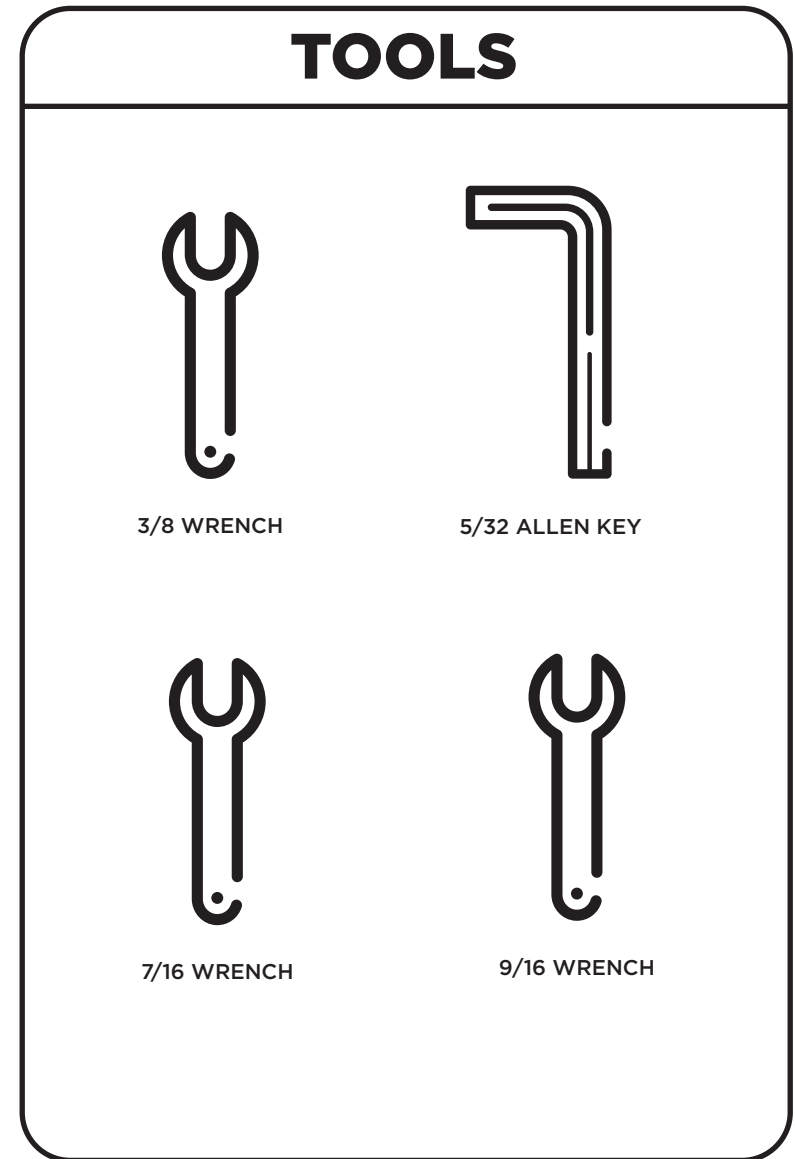
thanks.

# THANK YOU!

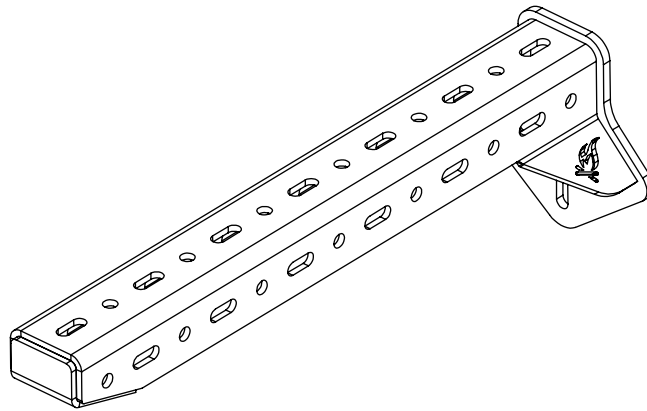
ARE YOU EXCITED ABOUT YOUR NEW REAR PLATFORM MOUNTING POSTS? HERE ARE A FEW THINGS TO DO BEFORE BEGINNING THE INSTALLATION PROCESS--

- PLEASE INSPECT THE PRODUCT TO ENSURE THERE WAS NO DAMAGE INCURRED DURING SHIPPING.
- IF THERE IS DAMAGE TO REPORT, PLEASE CONTACT OUR CUSTOMER SERVICE DEPARTMENT AS SOON AS POSSIBLE.
- NEXT, USING THE "PACKAGE CONTENTS" PAGE, CHECK INVENTORY AND FAMILIARIZE YOURSELF WITH THE PARTS AND HARDWARE.
- GATHER ALL TOOLS REQUIRED FOR INSTALL.
  - 3/8 BOX WRENCH OR SOCKET
  - 7/16 BOX WRENCH OR SOCKET
  - 9/16 BOX WRENCH OR SOCKET
  - 5/32 HEX KEY ALLEN WRENCH

ESTIMATED INSTALL TIME- ABOUT 30 MIN



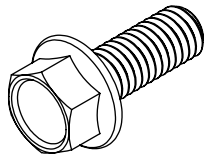
# PACKAGE CONTENTS



**MOUNTING POST**

**QTY - 2**

# HARDWARE



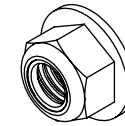
**3/8-16 X 1 FLANGED HEX  
HEAD SCREW**

**QTY - 8**



**3/8 SCREW FLAT WASHER**

**QTY - 8**



**3/8-16 FLANGED NYLON  
INSERT LOCKNUT**

**QTY - 8**

# LET'S GET STARTED!

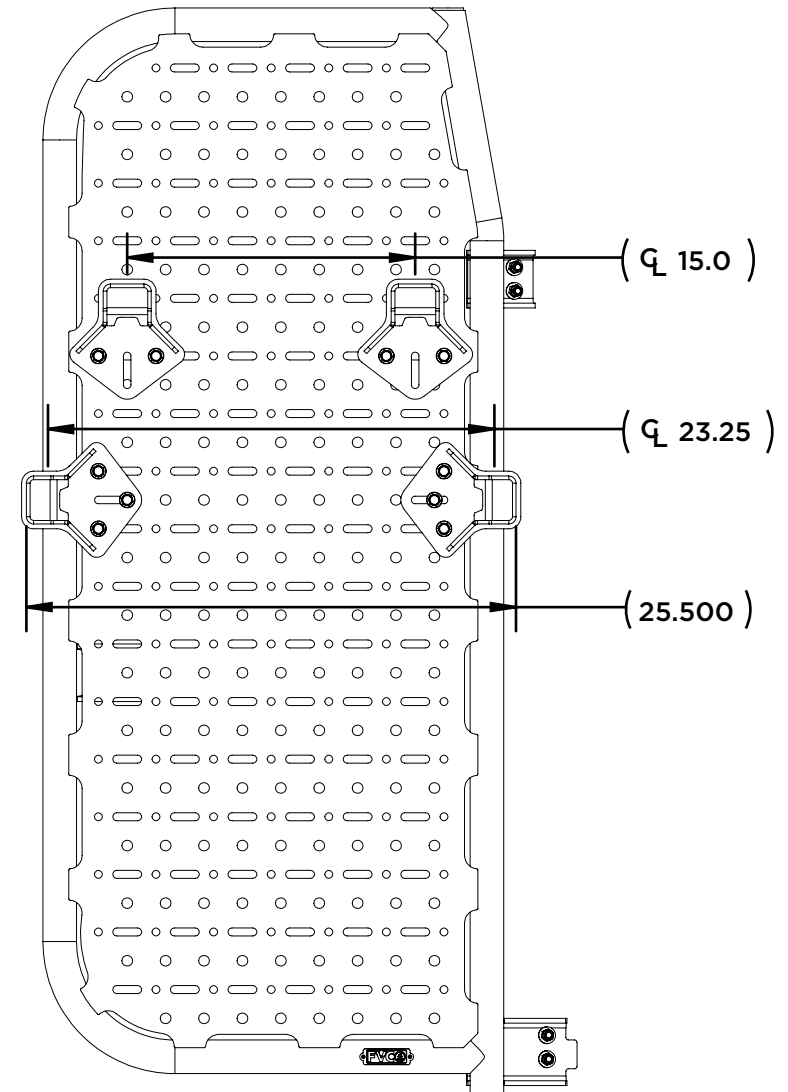
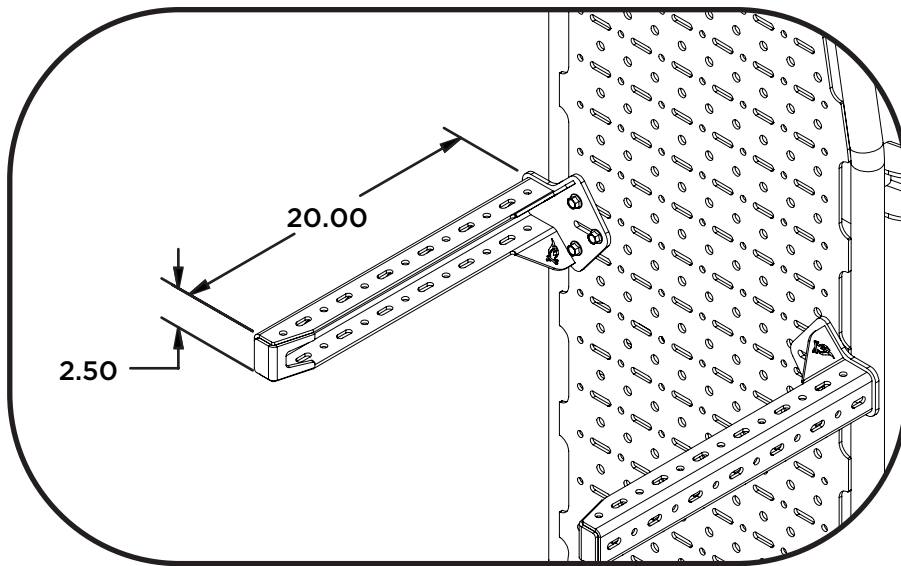
THE LOCATION FOR MOUNTING WILL BE DETERMINED BY WHICH ACCESSORIES YOU ARE USING WITH YOUR REAR PLATFORM MOUNTING POSTS AND WHAT LAYOUT YOU DECIDE TO RUN. IN THIS GUIDE WE WILL PROVIDE YOU HELPFUL DIMENSIONAL INFORMATION, AS WELL AS RECOMMENDED INSTALL ORIENTATION BASED ON USE CASE ETC.

1. THE FIGURE ON THE RIGHT PROVIDES THE CENTERLINE DIMENSIONS OF THE MOUNTING HOLES ON THE POSTS IN BOTH UPRIGHT AND HORIZONTAL MOUNTING STYLES WHEN LOCATED AT THE WIDEST POSSIBLE LOCATIONS.

**NOTE-** WE RECOMMEND USING THE HORIZONTAL MOUNTING STYLE WHEN MOUNTING UP BIKE TRAYS (LIKE 1UP) FOR MAXIMUM STABILITY.

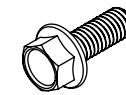
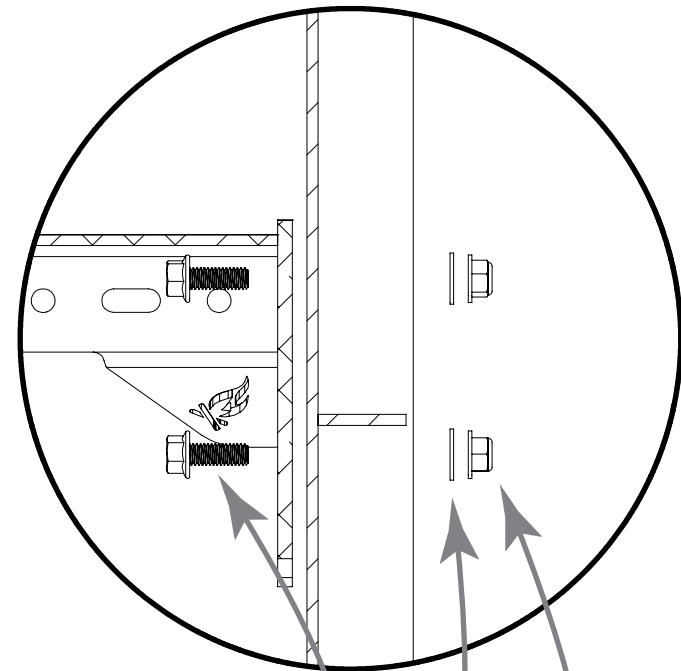
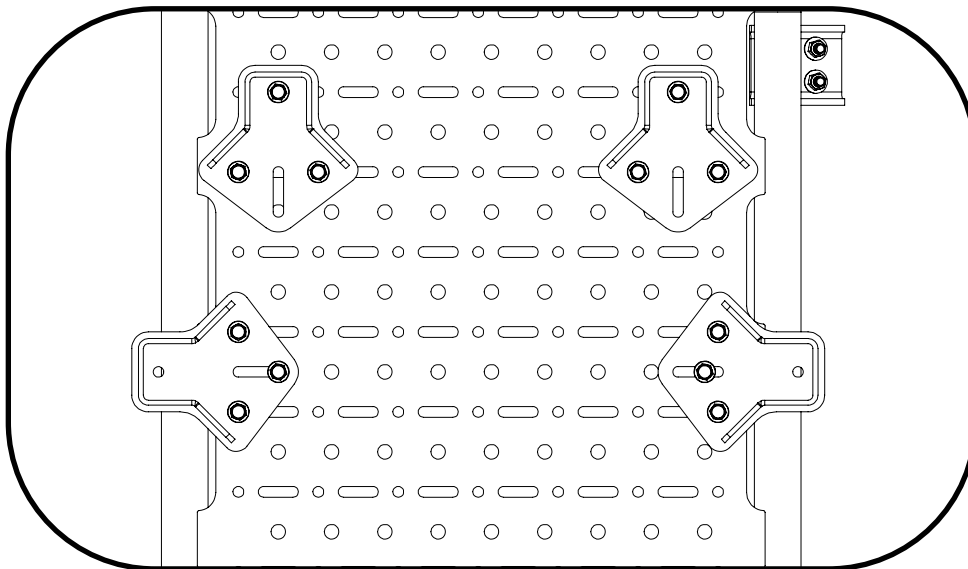
2. THE MOUNTING POSTS CAN ALSO BE ARRANGED ON THE SAME VERTICAL PLANE TO BE USED FOR SNOWBOARD/SKI RACKS. THIS CAN PROVIDE STORAGE FOR A LOT OF BOARDS/SKIS!

**NOTE-** THE DIAGRAM BELOW SHOWS THE LENGTH OF THE MOUNT POST TO ASSIST IN SELECTING THE APPROPRIATE SNOWBOARD/SKI RACK LENGTH.



3. ONCE YOU'VE DETERMINED THE APPROPRIATE MOUNTING LOCATIONS, ATTACH THE **MOUNT POSTS** TO YOUR **REAR PLATFORM** USING THE SUPPLIED **3/8-16 X 1 FLANGED HEX HEAD SCREWS**, **3/8 FLAT WASHERS**, AND **3/8-16 FLANGED NYLON INSERT LOCKNUTS** AS SHOWN IN THE FIGURE TO THE RIGHT.

**NOTE-** IN EVERY ORIENTATION OF MOUNTING IT IS IMPORTANT TO ENSURE YOU ARE USING AT LEAST THREE FASTENERS TO MOUNT AS SHOWN IN THE FIGURE BELOW. WHEN MOUNT POSTS ARE IN THE UPRIGHT POSITION THERE SHOULD ALWAYS BE A FASTENER IN THE TOP HOLE. FAILURE TO DO THIS CAN RESULT IN A MALFUNCTION OF THE MOUNT POST.



3/8-16 X 1 FLANGED HEX HEAD SCREW



3/8 SCREW FLAT WASHER



3/8-16 FLANGED NYLON INSERT LOCKNUT

# GET OUT AND EXPLORE!

## LEAVE US A REVIEW

Happy with your new FVC product? We would love to hear (and see) from you! Head to the product page and click "Leave Review." Add a short review and upload a few photos to be showcased on the product page.

## SHARE YOUR PHOTOS WITH US

We love seeing how our customers use their FVC products and following along with your adventures. Tag us in your photos with @flatlinevanco or send them to us via email. We love posting customer pictures in our feed!

## CUSTOMER SUPPORT

If you are having any issues with your product, please reach out, and we will make it right. FVC is a company of van and outdoor enthusiasts that design and use our own products, so we want you to be as stoked on your new parts as we are!



**@flatlinevanco**



**facebook.com/flatlinevanco**



**youtube.com/c/flatlinevanco**



**support@flatlinevanco.com**



**thanks!**