



## Installation Guide



## Transit Bed System TR0301B

All Flatline Van Co products must be properly assembled and secured before attaching to your vehicle. Improper attachment could result in an automobile accident, and could cause serious bodily injury or death to you or to others involved. You are responsible for assembling and securing Flatline Van Co products to your vehicle, checking the mounting points and attachments prior to use, and regularly inspecting the products for wear and or damage. We always recommend you use a professional to install any aftermarket accessories to your vehicle. If you have no mechanical experience and are not thoroughly familiar with the installation procedures, you must have the product installed by a professional installer or other qualified persons. The responsibility is yours and must be taken seriously for everyone's safety.



thanks.

# THANK YOU!

ARE YOU EXCITED ABOUT YOUR NEW TRANSIT BED SYSTEM? HERE ARE A FEW THINGS TO DO BEFORE BEGINNING THE INSTALLATION PROCESS--

- PLEASE INSPECT THE PRODUCT TO ENSURE THERE WAS NO DAMAGE INCURRED DURING SHIPPING.
- IF THERE IS DAMAGE TO REPORT, PLEASE CONTACT OUR CUSTOMER SERVICE DEPARTMENT AS SOON AS POSSIBLE.
- NEXT, USING THE "PACKAGE CONTENTS" PAGE, CHECK INVENTORY AND FAMILIARIZE YOURSELF WITH THE PARTS AND HARDWARE.
- GATHER ALL TOOLS REQUIRED FOR INSTALL.  
-5/16 HEX KEY ALLEN WRENCH

ADDT'L TOOLS-

**ADVENTURE WAGON KIT INSTALL-**

-9/16" SOCKET OR WRENCH

**DIY BRACKET INSTALL-**

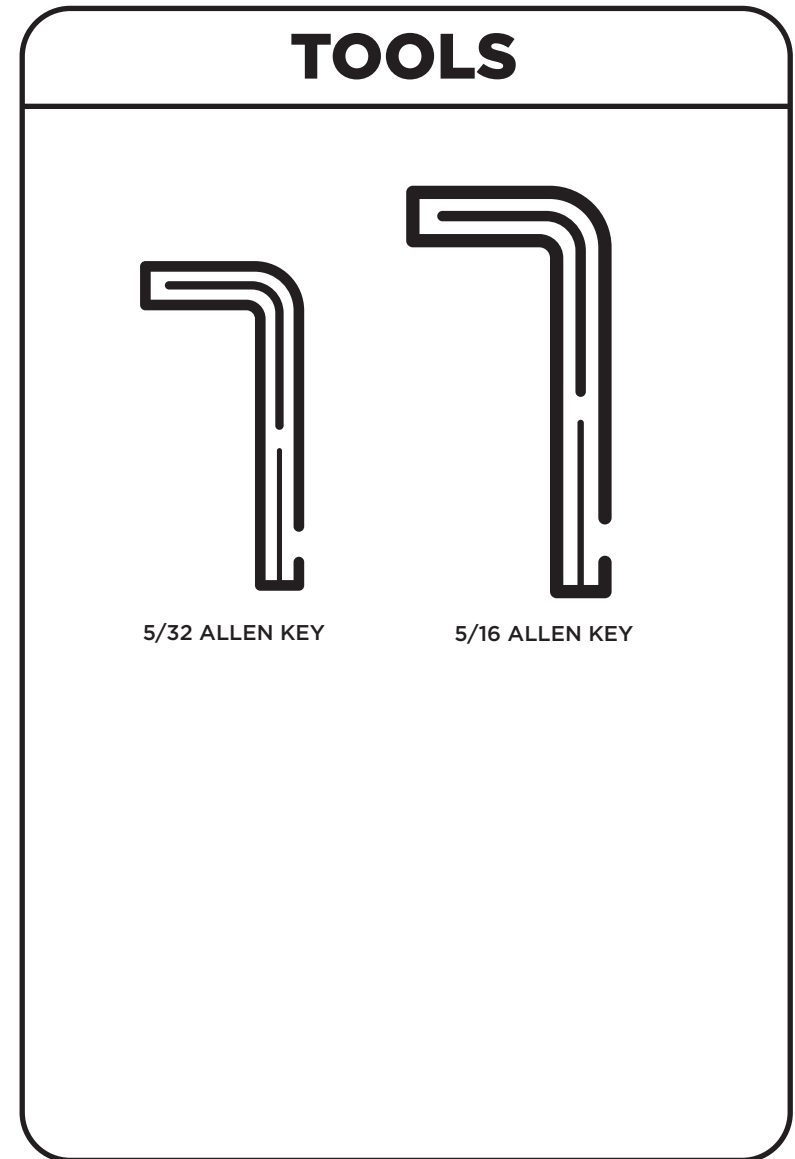
-9/16" SOCKET OR WRENCH (IF L-TRACK INSTALLED)

-5/32 HEX KEY ALLEN WRENCH (FOR SUPPLIED DIY HARDWARE)

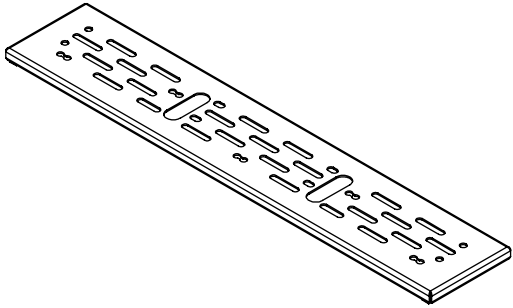
- IT'S RECOMMENDED TO HAVE A SECOND SET OF HANDS WHEN INSTALLING THE BED RAILS TO HELP LEVEL THEM.

**COMPATIBILITY-**

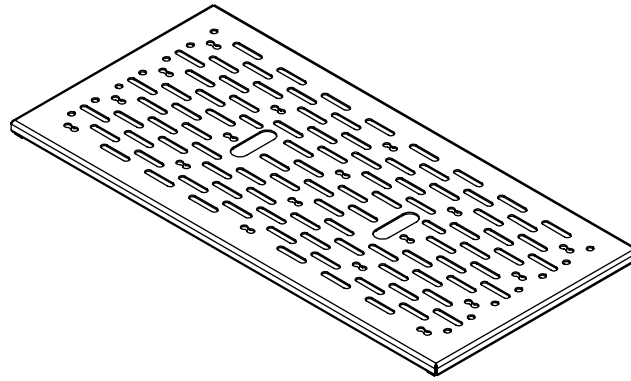
2015+ FORD TRANSIT 148" HIGH ROOF AND MID ROOF VANS. NOT COMPATIBLE WITH THE TRANSIT 148 HIGH ROOF EXTENDED OR ANY PASSENGER VAN MODEL.



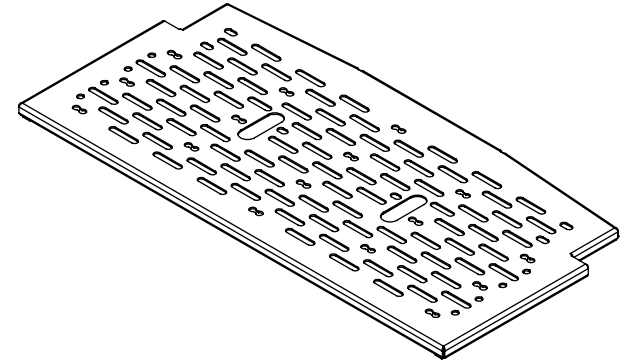
# PACKAGE CONTENTS



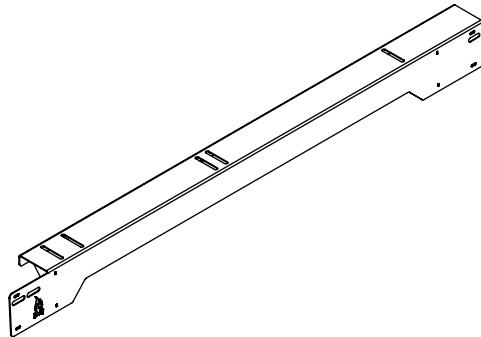
**FRONT BED  
PANEL**  
QTY - 1



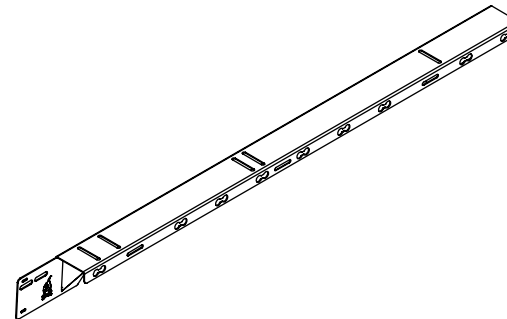
**MID BED  
PANEL**  
QTY - 1



**REAR BED  
PANEL**  
QTY - 1

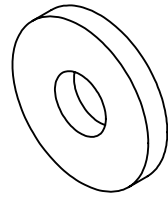


**BED RAIL-  
DRIVER**  
QTY - 1



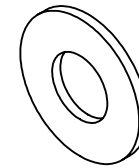
**BED RAIL-  
PASSENGER**  
QTY - 1

# HARDWARE PACK



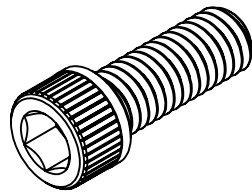
**3/8 SCREW CUSHION  
WASHER**

**QTY - 6**



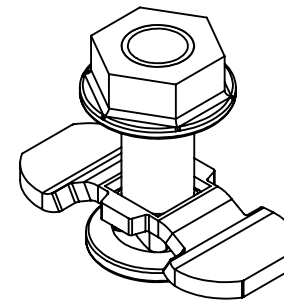
**3/8 SCREW FLAT  
WASHER**

**QTY - 6**



**3/8-16 X 1 SOCKET HEAD  
HEX DRIVE SCREW**

**QTY - 6**

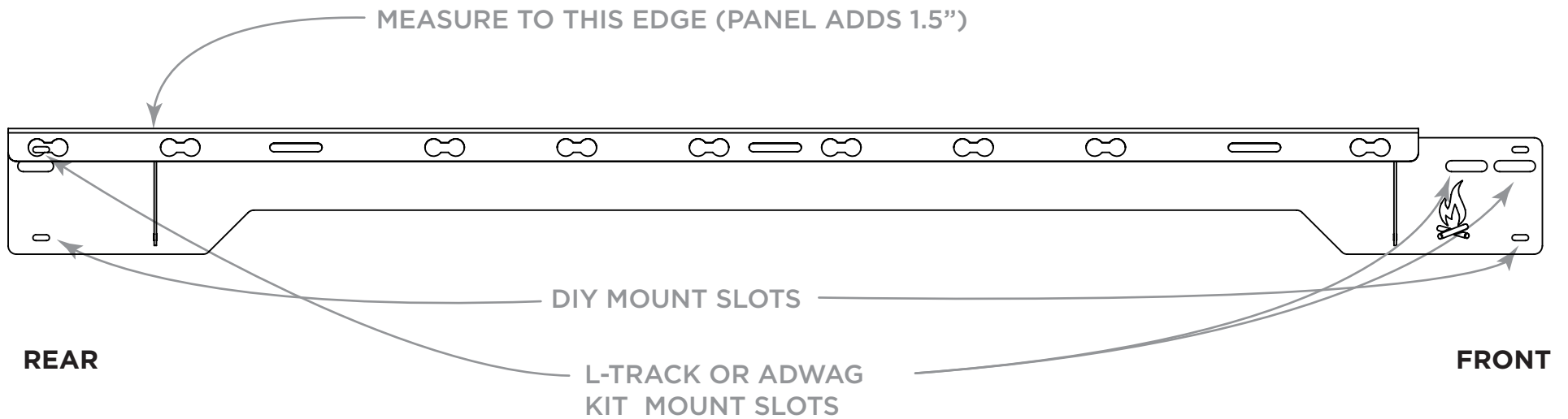


**L-TRACK STUD**

**QTY - 4**

# LET'S GET STARTED!

The Transit Bed System is designed to be installed by using either the FVC DIY Bed Mount Kit, or installing directly into your Adventure Wagon equipped van. The Bed Rails have mounting slots to accommodate either installation method with ease.

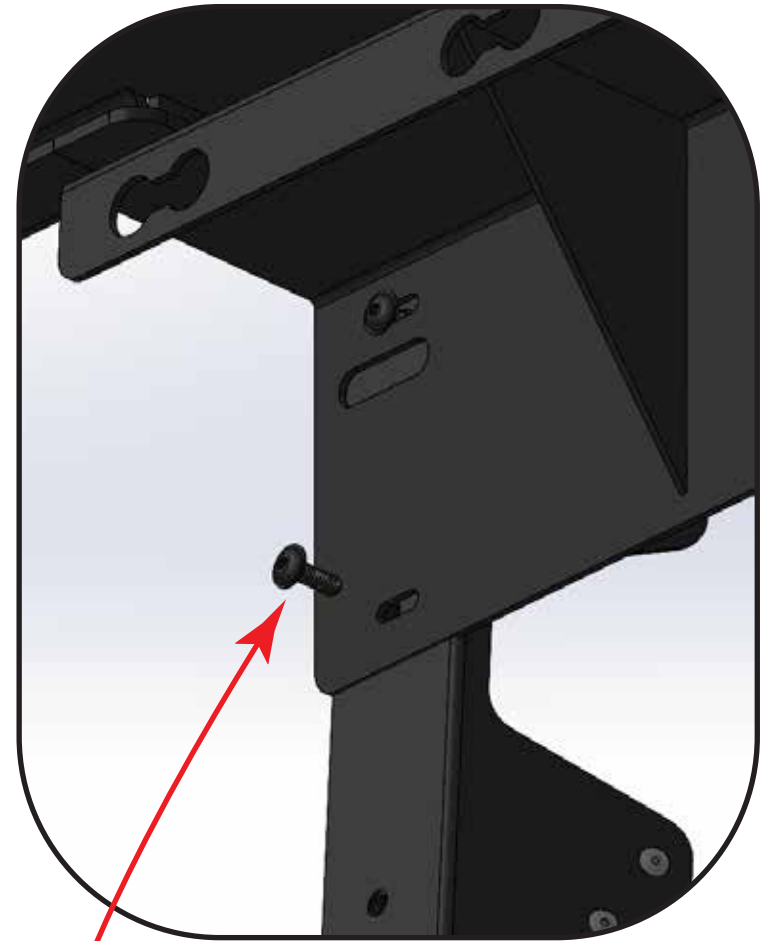


**NOTE-** THE FLAME LOGO IS ON THE FRONT OF THE BED RAIL AND FACES THE FRONT OF THE VAN.

# DIY BRACKET MOUNTING

Please refer to the DIY Bed Mount Kit installation guide first before attempting to install the Bed System.

With the bed mount installation you want to hold the bed rail up at the desired height (you can mark with painters tape to double check if preferred) and then insert the hardware provided with the DIY Bed Mount Kit as show in the image to the right. Tighten down and repeat on both sides.



**USE 1/4-20 FLANGE HEAD  
BUTTON HEAD SCREWS  
SUPPLIED WITH DIY BED  
MOUNT KIT.**

# L-TRACK MOUNTING

If you've installed L-Track onto your DIY Bed Mount Kit (more info provided in Diy Bed Mount Kit Install Guide) then you will follow the same procedure as mentioned in previous page with the exception of mounting your L-Track anchors first. Keep in mind that the L-Track anchors center on the flat spot of the key way as shown in the image below.

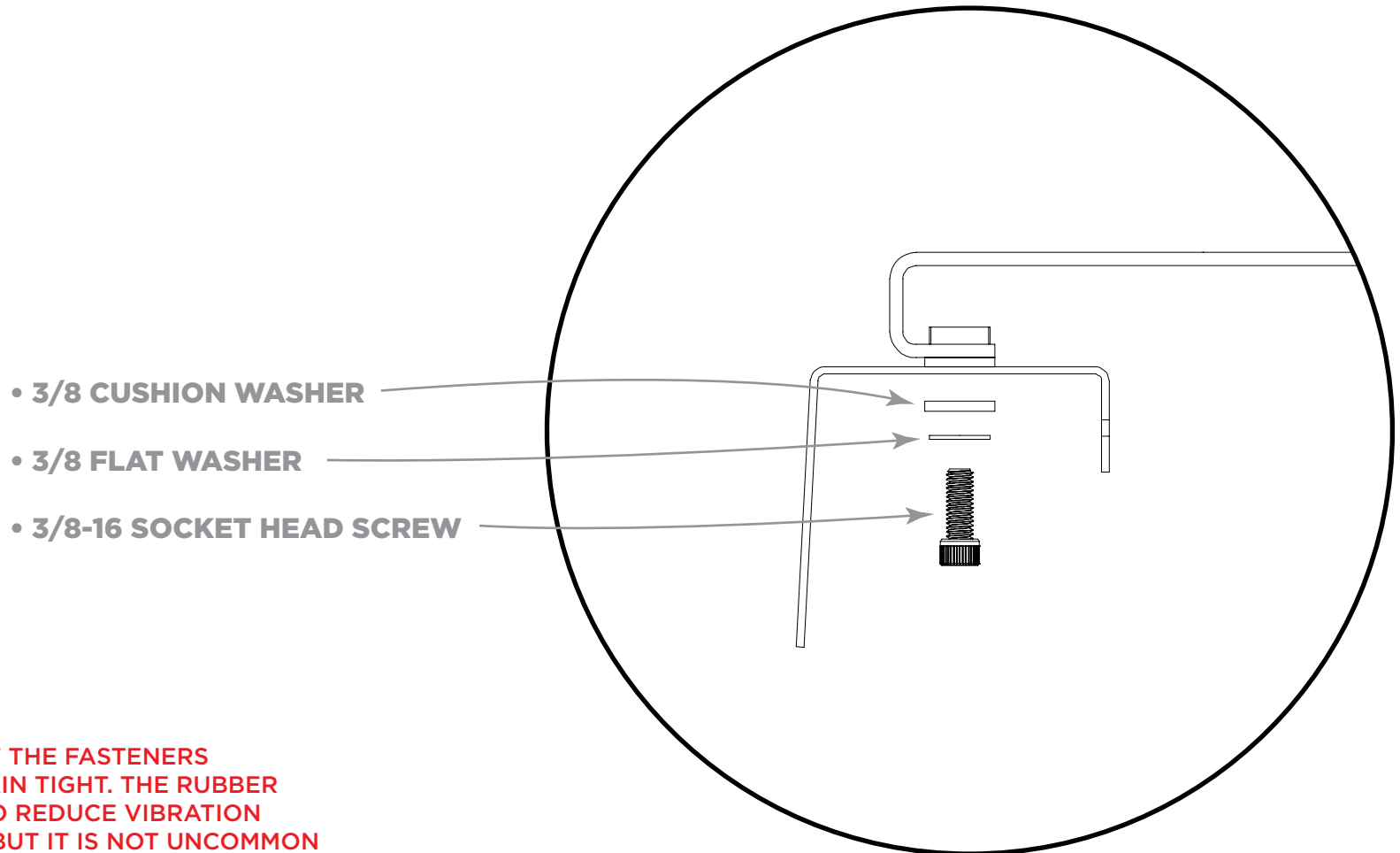


L-TRACK STUD  
WILL LINE UP WITH  
THIS KEY WAY



Once you have your Bed Rails up and fully mounted, you can simply place the Bed Panels on and fasten them using the **3/8-16 Socket Head Screws**, **3/8 Flat Washer**, and **3/8 Cushioning Washer**, in that order (see Figure 1)

**FIGURE 1**

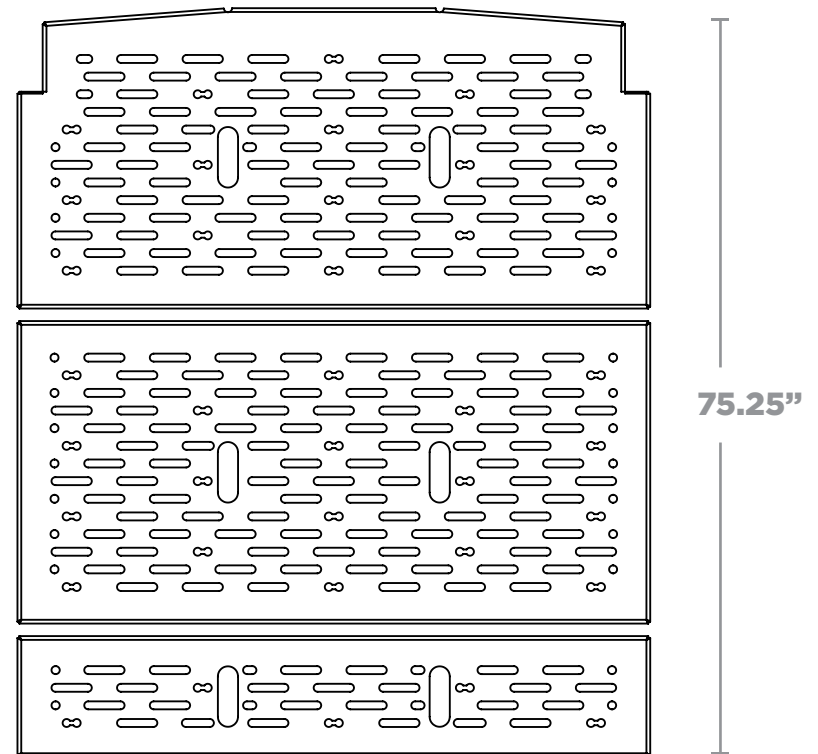
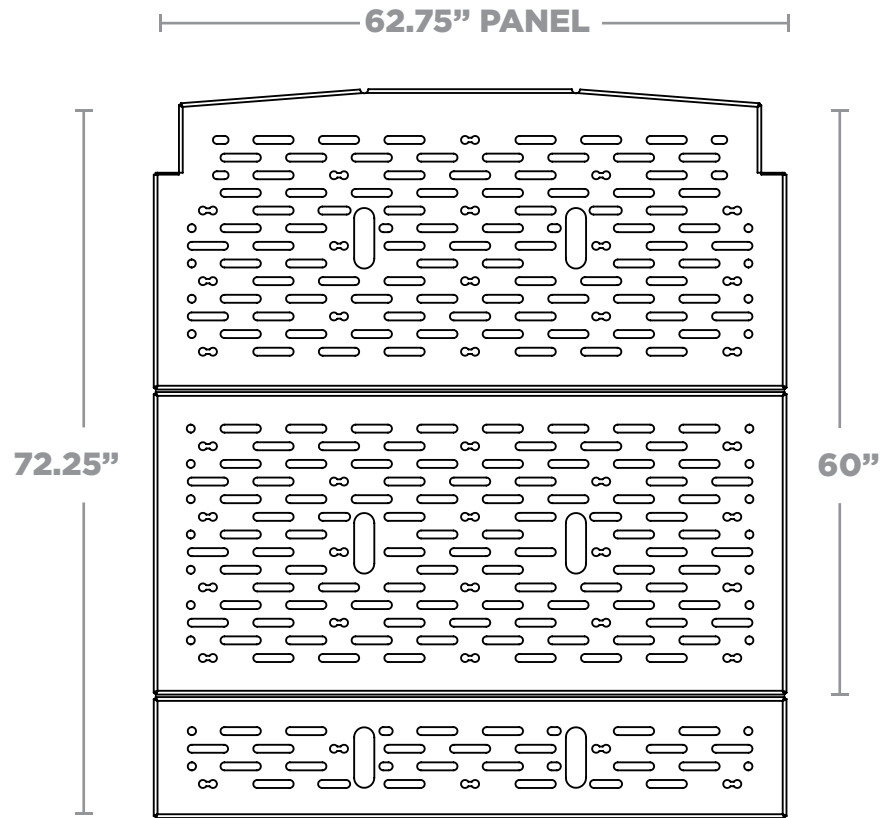
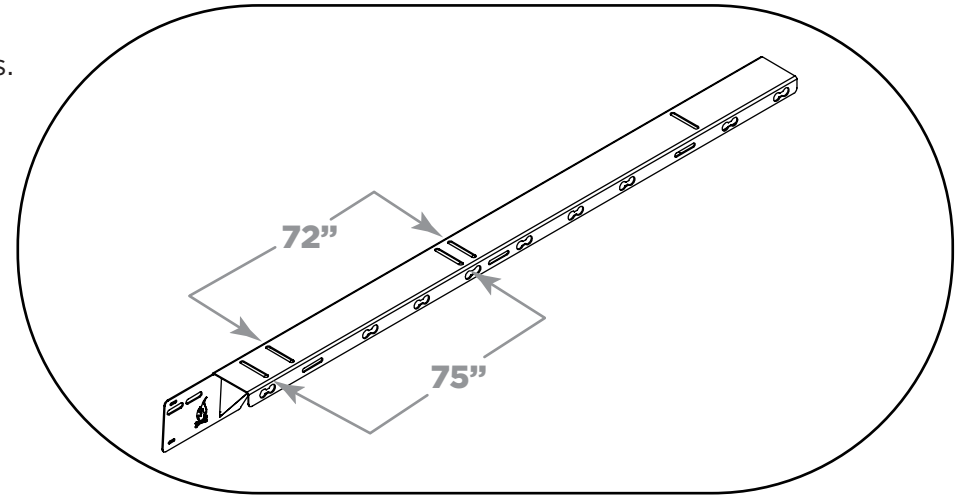


**PERIODICALLY INSPECT THE FASTENERS TO ENSURE THEY REMAIN TIGHT. THE RUBBER WASHER IS PRESENT TO REDUCE VIBRATION RELATED LOOSENING, BUT IT IS NOT UNCOMMON FOR THE FASTENERS TO LOOSEN UP OVER TIME**

**FIGURE 2**

The diagram below provides overall dimensions of the bed panels. It also shows the different mounting positions to extend the bed panels for a longer bed. The 3rd panel is also removable for vans equipped with flares (pop outs)

- Min install width 63" (between van walls)
- Max install width 67.75" (between van walls)
- Max height w/brackets 59"
- Min height w/brackets 36"



# GET OUT AND EXPLORE!

## LEAVE US A REVIEW

Happy with your new FVC product? We would love to hear (and see) from you! Head to the product page and click "Leave Review." Add a short review and upload a few photos to be showcased on the product page.

## SHARE YOUR PHOTOS WITH US

We love seeing how our customers use their FVC products and following along with your adventures. Tag us in your photos with @flatlinevanco or send them to us via email. We love posting customer pictures in our feed!

## CUSTOMER SUPPORT

If you are having any issues with your product, please reach out, and we will make it right. FVC is a company of van and outdoor enthusiasts that design and use our own products, so we want you to be as stoked on your new parts as we are!



**@flatlinevanco**



**facebook.com/flatlinevanco**



**youtube.com/flatlinevanco**



**support@flatlinevanco.com**



**thanks!**