



Installation Guide



Transit Side Ladder MR TR0202B

All Flatline Van Co products must be properly assembled and secured before attaching to your vehicle. Improper attachment could result in an automobile accident, and could cause serious bodily injury or death to you or to others involved. You are responsible for assembling and securing Flatline Van Co products to your vehicle, checking the mounting points and attachments prior to use, and regularly inspecting the products for wear and or damage. We always recommend you use a professional to install any aftermarket accessories to your vehicle. If you have no mechanical experience and are not thoroughly familiar with the installation procedures, you must have the product installed by a professional installer or other qualified persons. The responsibility is yours and must be taken seriously for everyone's safety.



thanks.

THANK YOU!

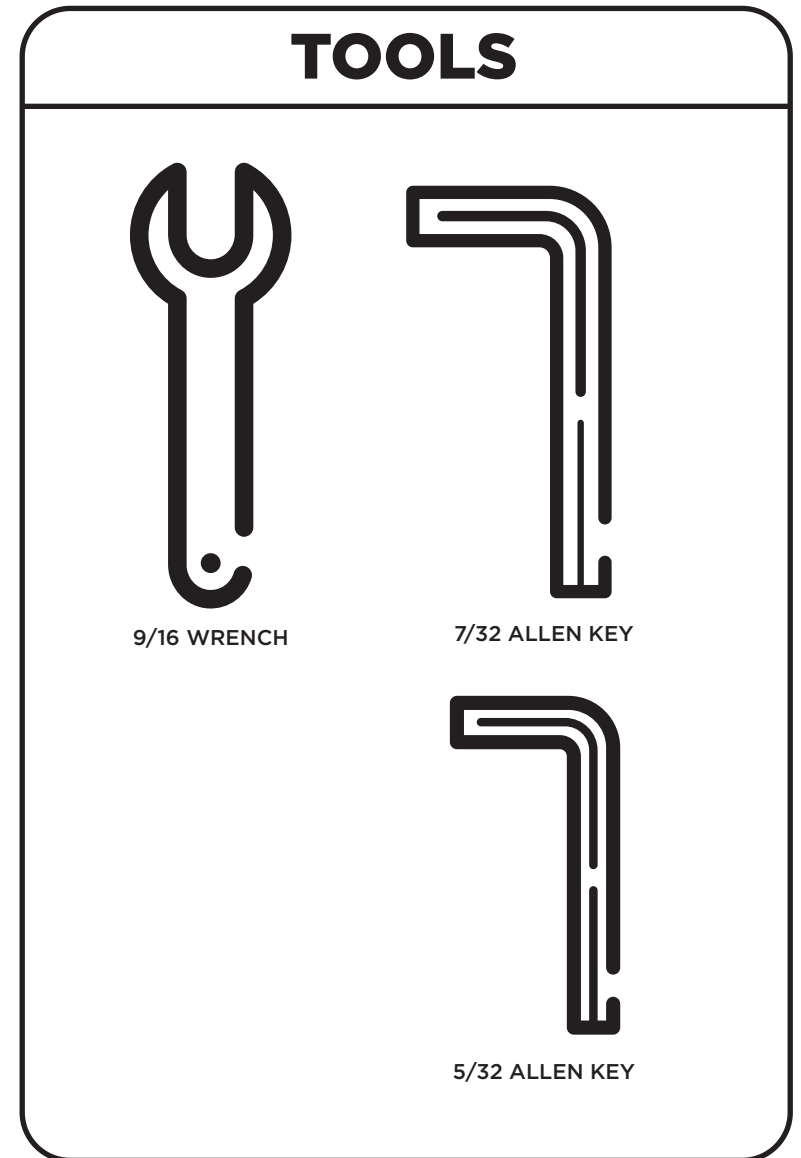
ARE YOU EXCITED ABOUT YOUR NEW SIDE LADDER? HERE ARE A FEW THINGS TO DO BEFORE BEGINNING THE INSTALLATION PROCESS--

- PLEASE INSPECT THE PRODUCT TO ENSURE THERE WAS NO DAMAGE INCURRED DURING SHIPPING.
- IF THERE IS DAMAGE TO REPORT, PLEASE CONTACT OUR CUSTOMER SERVICE DEPARTMENT AS SOON AS POSSIBLE.
- NEXT, USING THE "PACKAGE CONTENTS" PAGE, CHECK INVENTORY AND FAMILIARIZE YOURSELF WITH THE PARTS AND HARDWARE.
- GATHER ALL TOOLS REQUIRED FOR INSTALL.
 - 9/16 BOX WRENCH OR SOCKET
 - 7/32 HEX KEY ALLEN WRENCH
 - POWER DRILL
 - 1/8" DRILL BIT

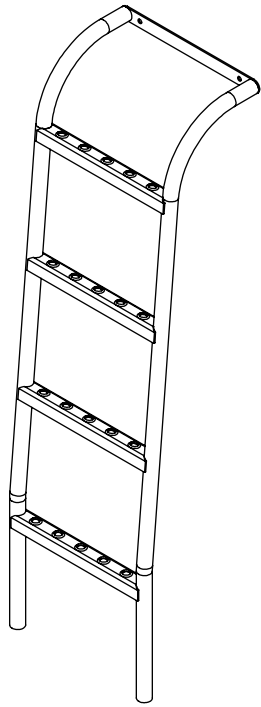
ESTIMATED INSTALL TIME- 1 HR

ADDITIONAL HELP IS SUGGESTED FOR A FEW OF THE INSTALL STEPS.

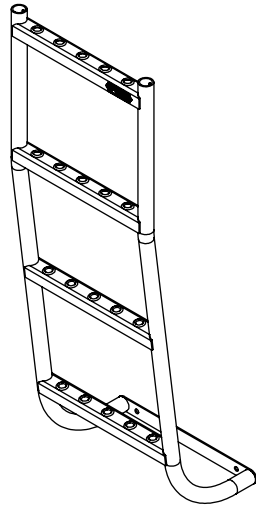
WE RECOMMEND BLUE LOCTITE FOR SOME OF THE INSTALL STEPS.



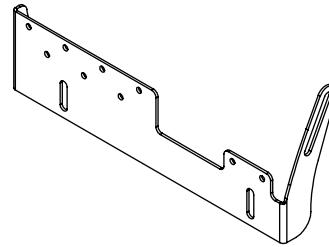
PACKAGE CONTENTS



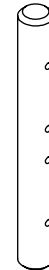
LADDER TOP
QTY-1



LADDER BOTTOM
QTY-1

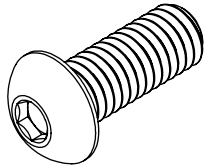


MOUNT PLATE
QTY-1

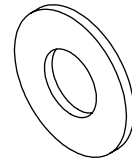


COUPLER
QTY-2

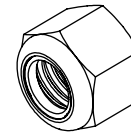
HARDWARE PACK



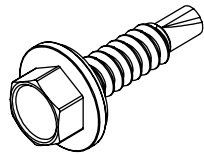
3/8-16 X 1" BUTTON HEAD
SCREW
QTY-5



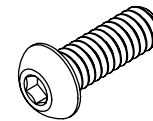
3/8 FLAT WASHER
QTY-10



3/8-16 NYLOCK
QTY-5



1/4 SELF DRILLING
SCREW
QTY-9



1/4-20 BUTTON HEAD SCREW
QTY-8

LET'S GET STARTED!

- 1. PLACE THE LADDER HALVES FRONT SIDE DOWN, INSERT THE COUPLERS INTO ONE HALF (SEE **FIGURE 1**), AND TIGHTEN DOWN USING THE 1/4-20 SCREWS.
- 2. SLIDE THE OTHER LADDER HALF ONTO THE COUPLERS AND TIGHTEN DOWN. **NOTE- WE RECOMMEND YOU USE BLUE LOCTITE ON THE SCREWS.**

FIGURE 2

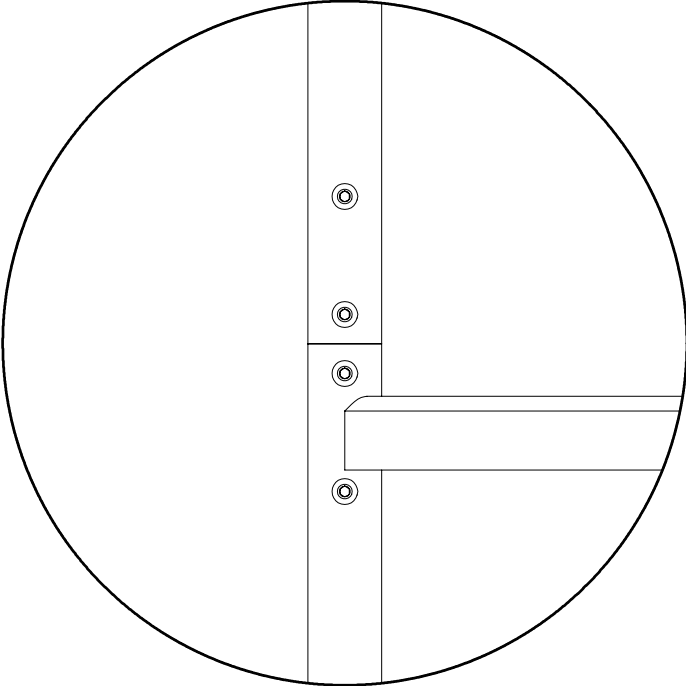
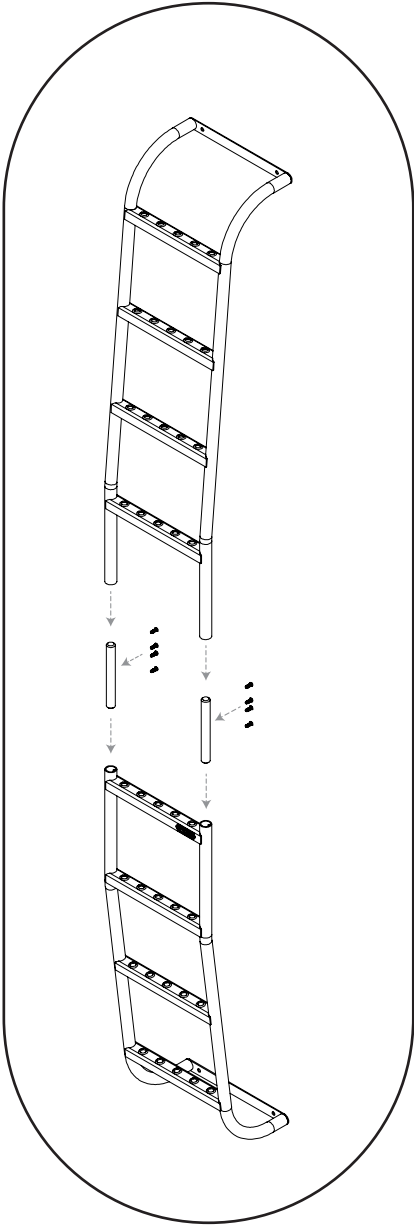


FIGURE 1



- 3.** NEXT, LOOSELY BOLT THE LADDER TO THE LADDER MOUNT SLOTS ON THE SIDE OF YOUR LOW PRO ROOF RACK USING TWO (2) EACH OF THE **3/8-16 BUTTON HEAD SCREWS, 3/8 FLAT WASHERS, AND 3/8 NYLOCK NUTS.** YOU MAY NEED TO REMOVE TWO SETS OF FASTENERS ON THE JOINING PLATE OF YOUR ROOF RACK IF YOU HAVE AN OLDER VERSION OF OUR LOW PRO AS THEY SIT BEHIND THE LADDER PLATE ON OLDER VERSIONS.
- NOTE-** HAVING AN EXTRA SET OF HANDS HERE IS VERY HELPFUL.*

- 3B.** IF YOU'VE GOT A SAFARI RACK, THIS STEP IS THE SAME, BUT YOU'LL BE MOUNTING TO THE LADDER MOUNT BRACKET UNDERNEATH THE SAFARI RACK.

MOUNT TO ROOF RACK



4. TAKE THE MOUNT PLATE (SEE RIGHT) AND LOOSELY ATTACH IT TO THE BOTTOM OF THE LADDER USING TWO 3/8-16 X 1" **BUTTON HEAD SCREWS**, 3/8 **FLAT WASHERS**, AND 3/8-16 **NYLOCK NUTS**.

5. NEXT, TAKE THE REMAINING 3/8 HARDWARE AND ATTACH IT THROUGH THE WING OF THE **MOUNT PLATE** AND THE LOWER BODY SUPPORT OF YOUR VAN. YOU WANT TO PUSH THE MOUNT UP AS SHOWN BELOW IN **FIGURE 3** AND TIGHTEN DOWN THE BOLTS. ONCE THE BOLTS ARE TIGHT, DRIVE IN THE **1/4 SELF DRILLING SCREWS** INTO THE PRE-CUT HOLES ON THE **MOUNT PLATE**.

NOTE- SOME VANS MAY NOT HAVE THE LOWER HOLES NEED TO MOUNT OUR BRACKET AS SHOWN. IF SO, USE OUR MOUNT BRACKET AS A TEMPLATE, AND DRILL A 1/2" HOLE IN THE BODY SUPPORT.

IF YOU'RE HAVING TROUBLE DRIVING THE 1/4 SELF DRILLING SCREWS IN, SOMETIMES AN 1/8" PILOT HOLE IS NECESSARY.

6. NOW CLIMB BACK UP TOP, ENSURE THE LADDER IS STRAIGHT UP AND DOWN, AND TIGHTEN DOWN THE UPPER MOUNTING BOLTS TO THE ROOF RACK.

MOUNT PLATE

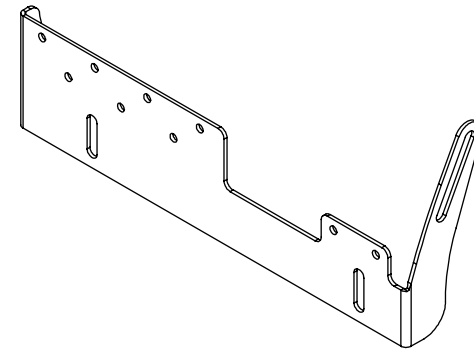
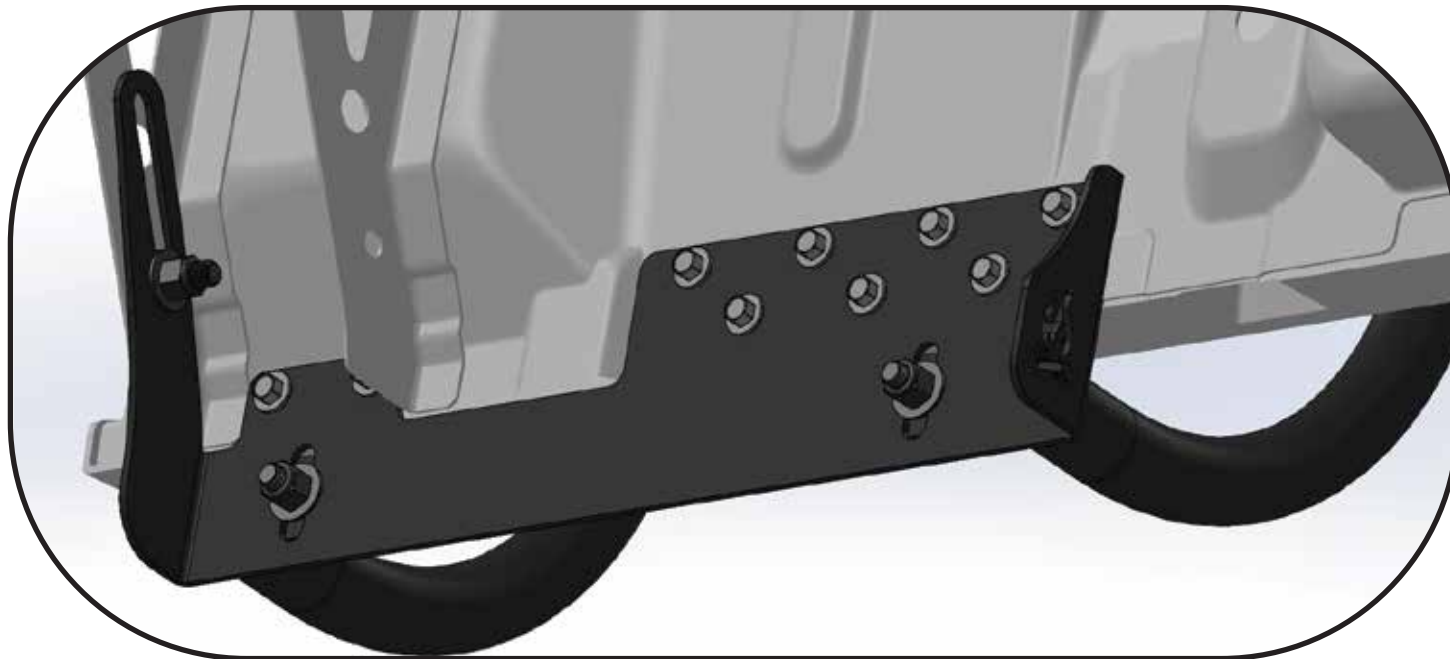


FIGURE 3



GET OUT AND EXPLORE!

LEAVE US A REVIEW

Happy with your new FVC product? We would love to hear (and see) from you! Head to the product page and click "Leave Review." Add a short review and upload a few photos to be showcased on the product page.

SHARE YOUR PHOTOS WITH US

We love seeing how our customers use their FVC products and following along with your adventures. Tag us in your photos with @flatlinevanco or send them to us via email. We love posting customer pictures in our feed!

CUSTOMER SUPPORT

If you are having any issues with your product, please reach out, and we will make it right. FVC is a company of van and outdoor enthusiasts that design and use our own products, so we want you to be as stoked on your new parts as we are!



@flatlinevanco



facebook.com/flatlinevanco



youtube.com/c/flatlinevanco



support@flatlinevanco.com



thanks!