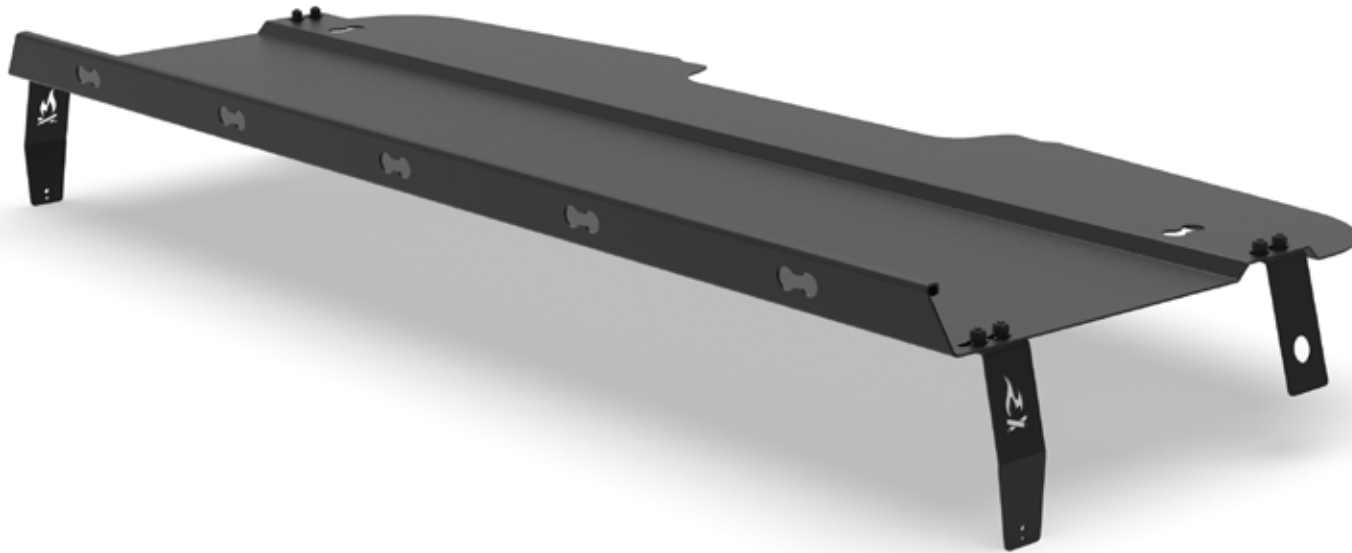




Installation Guide



Sprinter Headliner Shelf SP5002B

All Flatline Van Co products must be properly assembled and secured before attaching to your vehicle. Improper attachment could result in an automobile accident, and could cause serious bodily injury or death to you or to others involved. You are responsible for assembling and securing flatline van co products to your vehicle, checking the mounting points and attachments prior to use, and regularly inspecting the products for wear and or damage. We always recommend you use a professional to install any aftermarket accessories to your vehicle. If you have no mechanical experience and are not thoroughly familiar with the installation procedures, you must have the product installed by a professional installer or other qualified persons. The responsibility is yours and must be taken seriously for everyone's safety.

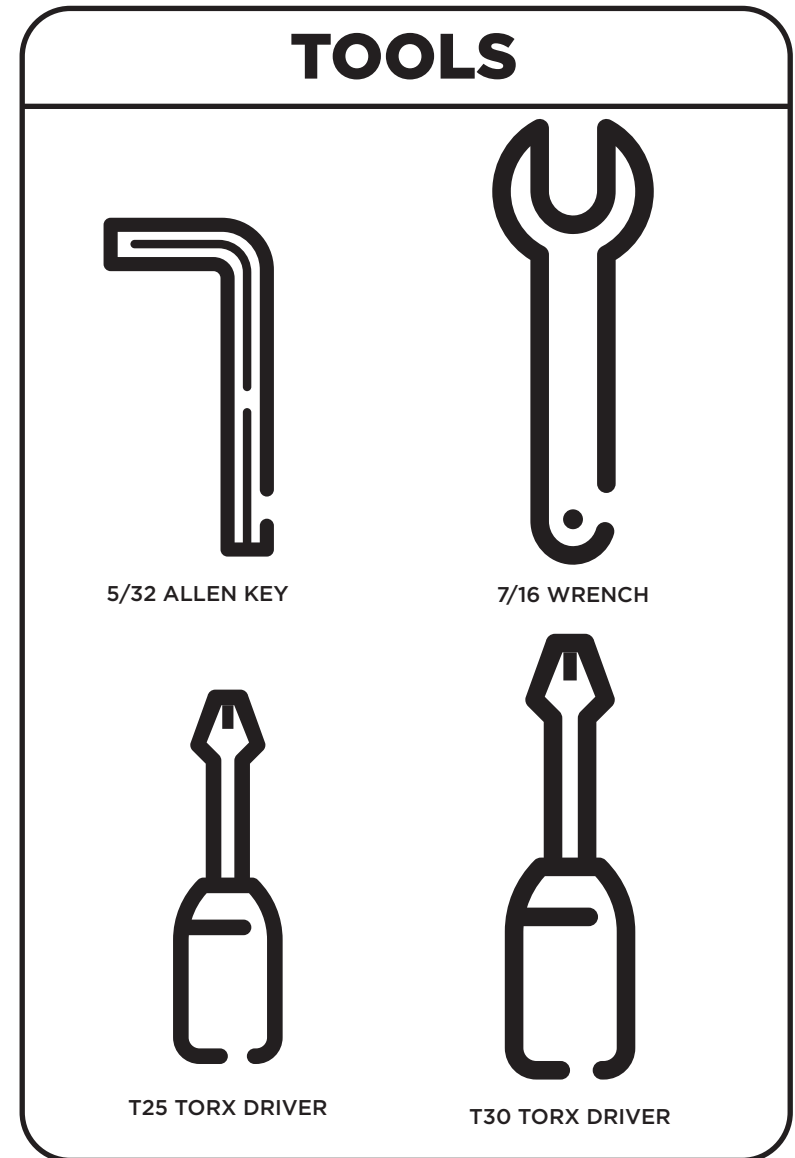


thanks.

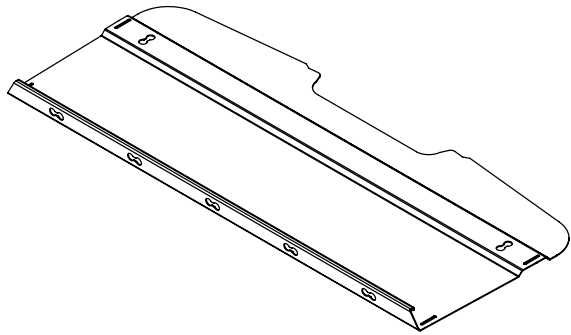
THANK YOU!

ARE YOU EXCITED ABOUT YOUR NEW HEADLINER SHELF? HERE ARE A FEW THINGS TO DO BEFORE BEGINNING THE INSTALLATION PROCESS--

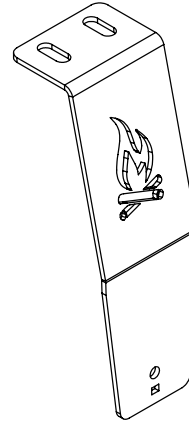
- PLEASE INSPECT THE PRODUCT TO ENSURE THERE WAS NO DAMAGE INCURRED DURING SHIPPING.
- IF THERE IS DAMAGE TO REPORT, PLEASE CONTACT OUR CUSTOMER SERVICE DEPARTMENT AS SOON AS POSSIBLE.
- NEXT, USING THE "PACKAGE CONTENTS" PAGE, CHECK INVENTORY AND FAMILIARIZE YOURSELF WITH THE PARTS AND HARDWARE.
- GATHER ALL TOOLS REQUIRED FOR INSTALL.
 - 5/32 HEX KEY ALLEN WRENCH
 - 7/16 BOX OR OPEN WRENCH
 - T25 TORX DRIVER (COAT HANGER)
 - T30 TORX DRIVER (SUN VISOR GRAB HANDLE)
 - PLASTIC TRIM TOOL (RECOMMENDED)
 - SECOND SET OF HANDS IS HELPFUL



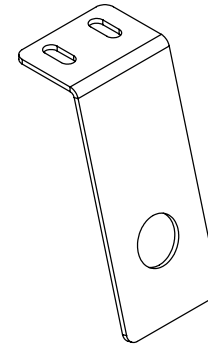
PACKAGE CONTENTS



SHELF
QTY-1



B PILLAR BRACKET
QTY-2



GRAB HANDLE
BRACKET
QTY-2



1/4-20 BUTTON HEAD SCREW
QTY-8



1/4 FLAT WASHER
QTY-8



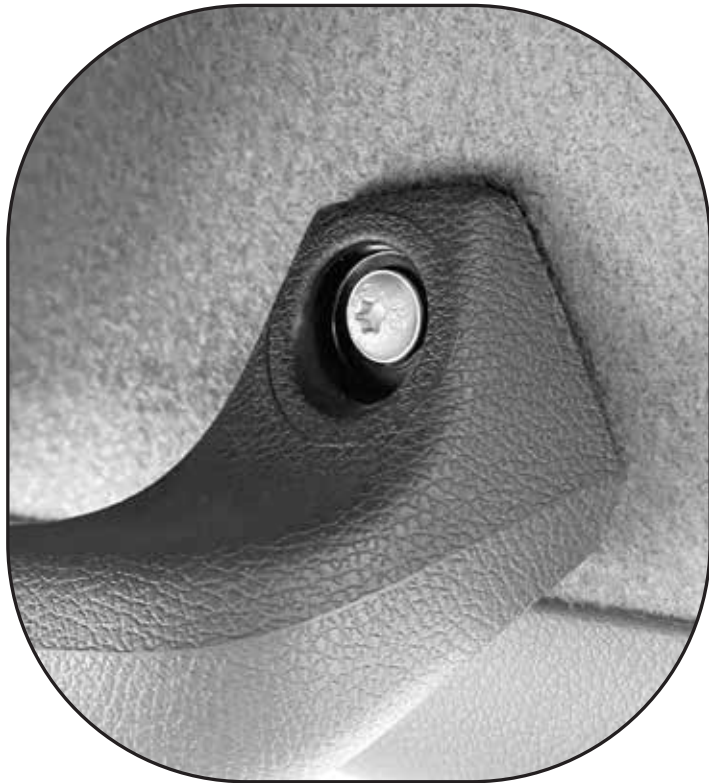
1/4-20 NYLOCK
QTY-8

LET'S GET STARTED!

1. FIRST STEP IS TO REMOVE THE RUBBER COAT HOOK COVERS, AND THE BOLT COVERS (IF THEY'RE THERE) ON THE GRAB HANDLES.

NOTE-THIS WHERE A PLASTIC TRIM TOOL CAN COME IN HANDY.

2. NEXT REMOVE THE SCREWS, T25 FOR THE COAT HOOK AND T30 FOR THE GRAB HANDLE. SET THESE ASIDE FOR THE NEXT STEP.



3. NOW TAKE THE GRAB HANDLE BRACKETS AND PUT THEM IN PLACE (**SEE RIGHT**) YOU'LL NEED TO PULL ON THE HANDLE TO GET THE BRACKET TO NESTLE BEHIND IT. THEN SCREW THE BOLT BACK IN, SNUG BUT NOT TIGHT.

4. TAKE THE B PILLAR BRACKET AND SLIDE IT BEHIND THE B PILLAR TRIM OF YOUR VAN, YOU MAY NEED TO PULL THE TRIM OUT JUST A LITTLE TO GET THE BRACKET TO SLIDE DOWN. TRY NOT TO PULL IT TOO MUCH AND POP IT OUT. THEN SCREW IT BACK IN ALONG WITH THE COAT HANGER BRACKET AS SHOWN.



5. NOW, TAKE YOUR SHELF AND SLIDE IT INTO PLACE, THEN LIFT IT UP SO THAT IT RESTS UNDERNEATH THE BRACKET FLANGES (THIS IS WHERE HAVING A HELPER COMES INTO PLAY) WHILE HOLDING IT UP, TAKE YOUR 1/4-20 SCREWS, FLAT WASHERS, AND NYLOCKS AND GET THEM STARTED TO HOLD THE SHELF UP.

NOTE- YOU CAN MOUNT THE SHELF SO THAT THE BRACKETS SIT UNDERNEATH AS WELL, WE JUST THINK IT LOOKS BETTER WITH THEM HIDDEN!



6. TIGHTEN ALL OF THE HARDWARE, INCLUDING THE T30 BOLTS YOU LEFT SNUG. ONCE COMPLETE, YOU'RE ALL SET AND READY TO UTILIZE YOUR EXTRA STORAGE SPACE!

GET OUT AND EXPLORE!

LEAVE US A REVIEW

Happy with your new FVC product? We would love to hear (and see) from you! Head to the product page and click "Leave Review." Add a short review and upload a few photos to be showcased on the product page.

SHARE YOUR PHOTOS WITH US

We love seeing how our customers use their FVC products and following along with your adventures. Tag us in your photos with @flatlinevanco or send them to us via email. We love posting customer pictures in our feed!

CUSTOMER SUPPORT

If you are having any issues with your product, please reach out, and we will make it right. FVC is a company of van and outdoor enthusiasts that design and use our own products, so we want you to be as stoked on your new parts as we are!



@flatlinevanco



facebook.com/flatlinevanco



youtube.com/c/flatlinevanco



support@flatlinevanco.com



thanks!