



INSTALLATION GUIDE

SPRINTER VAN REAR STEP

SP1101B



TOOLS REQUIRED (NOT INCLUDED)

- + RATCHET
- + 16MM SOCKET OR WRENCH
- + 18MM SOCKET OR WRENCH
- + BREAKER BAR (RECOMMENDED)

INSTALL INFO

TIME TO INSTALL THIS PRODUCT: 45 MINUTES

Additional help is suggested for a few of the install steps.

BEFORE YOU START

Please inspect the product and packaging upon delivery to ensure there are no issues and that all parts and hardware are accounted for.

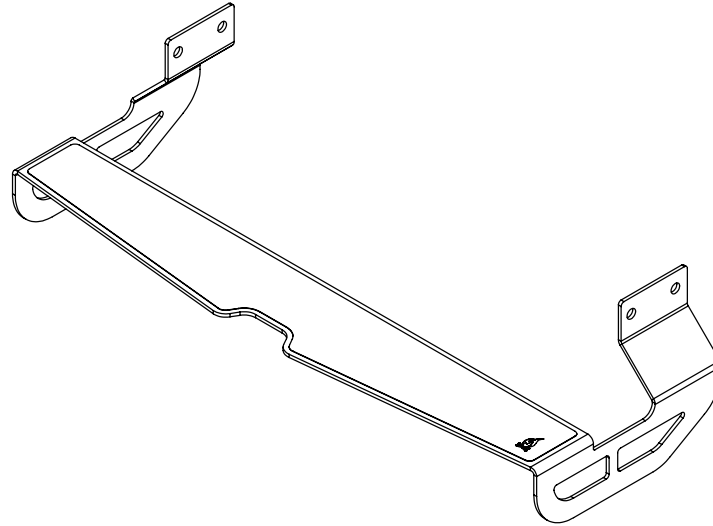
Contact us ASAP if anything is missing at:
support@flatlinevanco.com

BEFORE YOU START

All Flatline Van Co products must be properly assembled and secured before attaching to your vehicle. Improper attachment could result in an automobile accident, and could cause serious bodily injury or death to you or to others involved. You are responsible for assembling and securing Flatline Van Co products to your vehicle, checking the mounting points and attachments prior to use, and regularly inspecting the products for wear and or damage. We always recommend you use a professional to install any aftermarket accessories to your vehicle. If you have no mechanical experience and are not thoroughly familiar with the installation procedures, you must have the product installed by a professional installer or other qualified persons. The responsibility is yours and must be taken seriously for everyone's safety.



PACKAGE CONTENTS



REAR STEP

QTY: 1

INSTALL

STEP | 01 LAYOUT AND INSTALL PREP

1.1 Checking for Factory Tow Package: If your vehicle does not have the factory tow package with step (FIG 1+2), proceed to the next page.

NOTE -If you do not have a factory hitch, you will need to purchase bolts (M12-1.25 X 110MM) and accompanying Washers & Nuts to secure the rear step.

NOTE - The exhaust pipe may need to be pushed out of the way while installing, and it may rest on the step once installed.

TOOLS REQUIRED FOR THIS STEP: + T45 TORX KEY
+ RATCHET
+ FLATHEAD SCREWDRIIVER

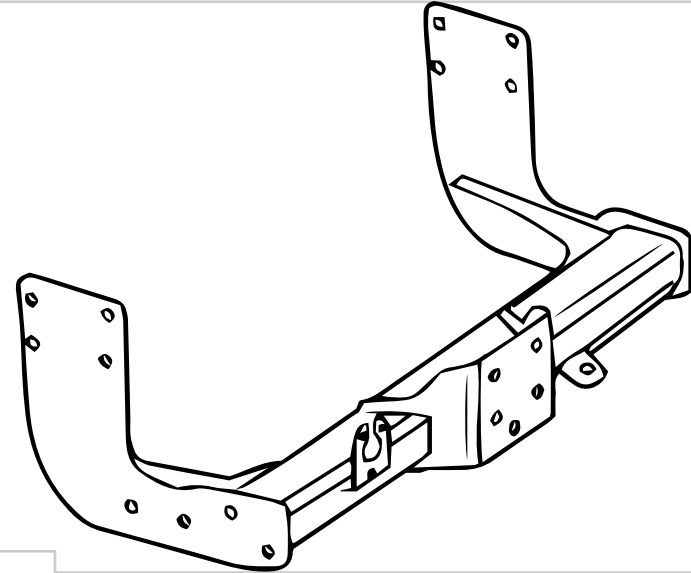


FIG 1



FIG 2

STEP | 02 REMOVING FACTORY STEP

2.1 Removing Factory Step: Start by removing the factory step. There are three bolts to remove, all requiring a **16mm Box Wrench Or Socket**. Refer to the provided figures for bolt locations.

2.2 Sliding Off the Step: After removing the bolts, the step will slide off. We recommend reattaching the bolts/nuts to the step once removed to ensure they don't get lost.

TOOLS REQUIRED FOR THIS STEP:

- + T45 TORX KEY
- + RATCHET
- + 13MM WRENCH OR SOCKET
- + LOCTITE
- + BREAKER BAR



FIG 4



FIG 5

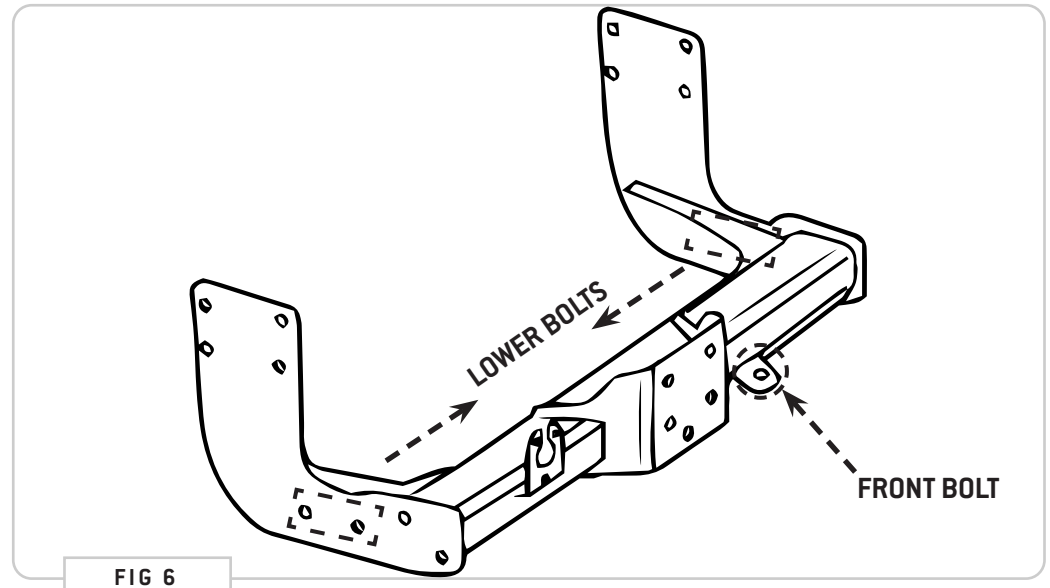


FIG 6

TOOLS REQUIRED FOR THIS STEP:

STEP | 03 INSTALLING REAR STEP

3.1 Removing Tow Hitch Bolts: Next, remove the two lower bolts that attach the tow hitch on both sides of the frame. These bolts require an **18mm Box Wrench Or Socket**. They may be very tight, requiring a **Breaker Bar**.

3.2 Installing the Rear Step: Slide the rear step into place (having a second set of hands can be helpful) and reinsert the bolts back into place. Note that you may need to push the exhaust out of the way, and it may end up resting on the rear step when finished.

3.3 Tightening the Bolts: Finally, tighten the bolts down to a torque specification of **79 ft-lbs**.

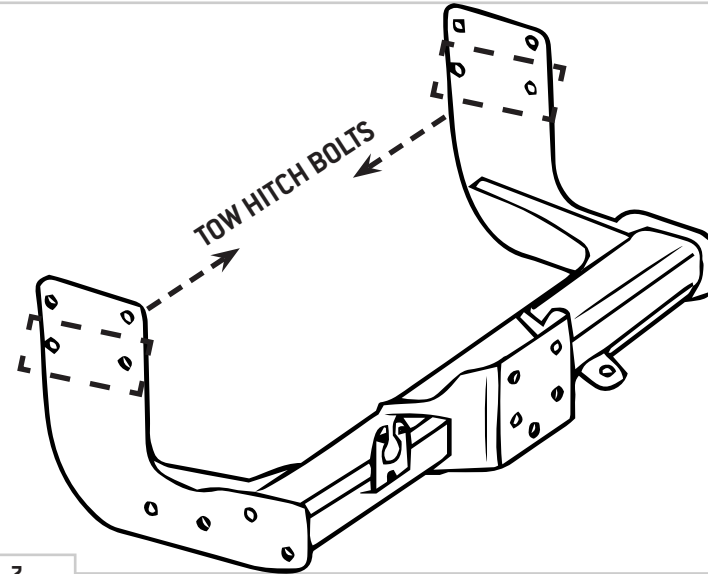


FIG 7

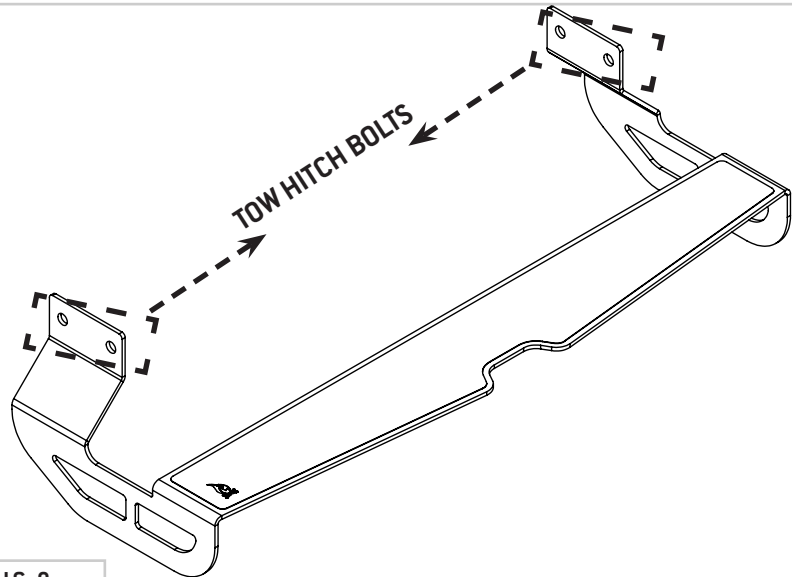


FIG 8

GET OUT AND EXPLORE!

+ LEAVE US A REVIEW

Happy with your new FVC product? We would love to hear (and see) from you! Head to the product page and click "Leave Review." Add a short review and upload a few photos to be showcased on the product page.

+ SHARE YOUR PICS

We love seeing how our customers use their FVC products and following along with your adventures. Tag us in your photos with: @flatlinevanco or send them to us via email. We love posting customer pictures in our feed!

+ NEED ANY HELP?

If you are having any issues with your product, please reach out, and we will make it right. FVC is a company of van and outdoor enthusiasts that design and use our own products, so we want you to be as stoked on your new parts as we are!



@FLATLINEVANCO