



## Installation Guide



## Sprinter Bed System-Flares SP0304B

All Flatline Van Co products must be properly assembled and secured before attaching to your vehicle. Improper attachment could result in an automobile accident, and could cause serious bodily injury or death to you or to others involved. You are responsible for assembling and securing Flatline Van Co products to your vehicle, checking the mounting points and attachments prior to use, and regularly inspecting the products for wear and or damage. We always recommend you use a professional to install any aftermarket accessories to your vehicle. If you have no mechanical experience and are not thoroughly familiar with the installation procedures, you must have the product installed by a professional installer or other qualified persons. The responsibility is yours and must be taken seriously for everyone's safety.



thanks.

# THANK YOU!

ARE YOU EXCITED ABOUT YOUR NEW SPRINTER BED SYSTEM? HERE ARE A FEW THINGS TO DO BEFORE BEGINNING THE INSTALLATION PROCESS--

- PLEASE INSPECT THE PRODUCT TO ENSURE THERE WAS NO DAMAGE INCURRED DURING SHIPPING.
- IF THERE IS DAMAGE TO REPORT, PLEASE CONTACT OUR CUSTOMER SERVICE DEPARTMENT AS SOON AS POSSIBLE.
- NEXT, USING THE "PACKAGE CONTENTS" PAGE, CHECK INVENTORY AND FAMILIARIZE YOURSELF WITH THE PARTS AND HARDWARE.
- GATHER ALL TOOLS REQUIRED FOR INSTALL.
  - 7/32 HEX KEY ALLEN WRENCH

#### DIY INSTALL-

- POWER DRILL
- 1/8" DRILL BIT

#### ADWAG INSTALL-

- 9/16" SOCKET OR WRENCH

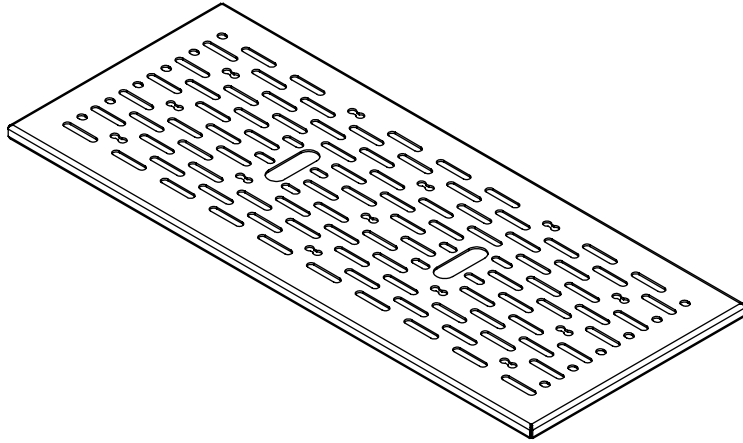
- IT'S RECOMMENDED TO HAVE A SECOND SET OF HANDS WHEN INSTALLING THE BED RAILS TO HELP LEVEL THEM.
- YOU CAN INSTALL THIS BED USING SELF TAPPING SCREWS, OR BY USING RIVNUTS (REQUIRE SEPARATE TOOL)

## TOOLS



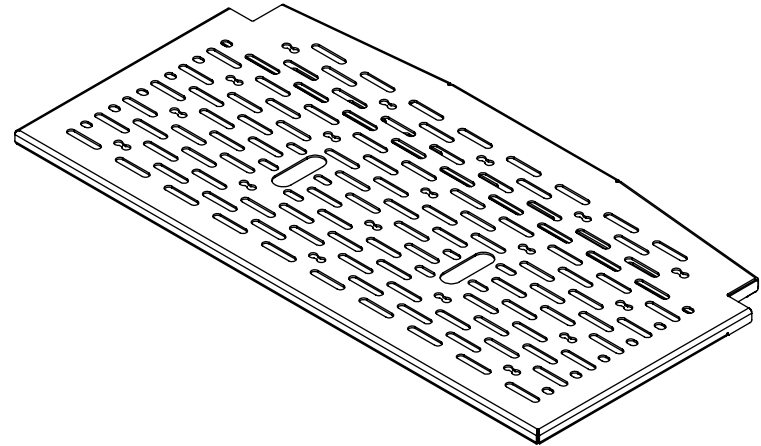
7/32 ALLEN KEY

# PACKAGE CONTENTS



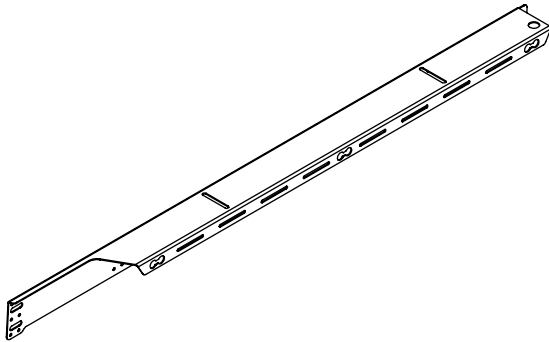
BED PANEL

QTY - 2



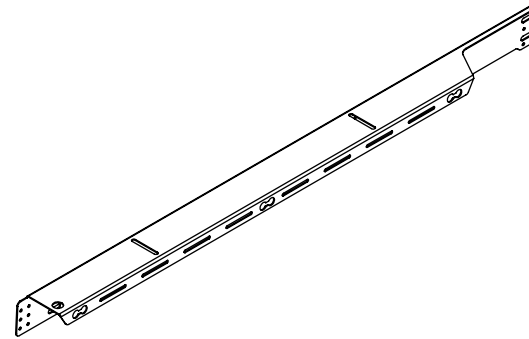
REAR BED PANEL

QTY - 1



PASSENGER SIDE BED RAIL

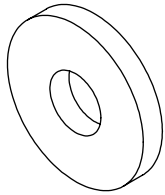
QTY - 1



DRIVER SIDE BED RAIL

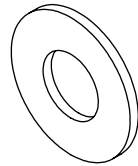
QTY - 1

# HARDWARE PACK



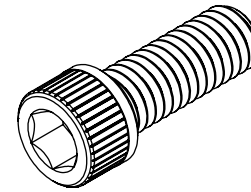
**3/8 SCREW CUSHION  
WASHER**

**QTY - 4**



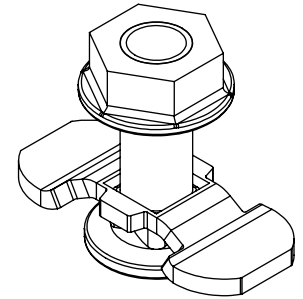
**3/8 SCREW FLAT WASHER**

**QTY - 4**



**3/8-16 X 1 SOCKET HEAD  
HEX DRIVE SCREW**

**QTY - 4**



**L-TRACK STUD**

**QTY - 8**

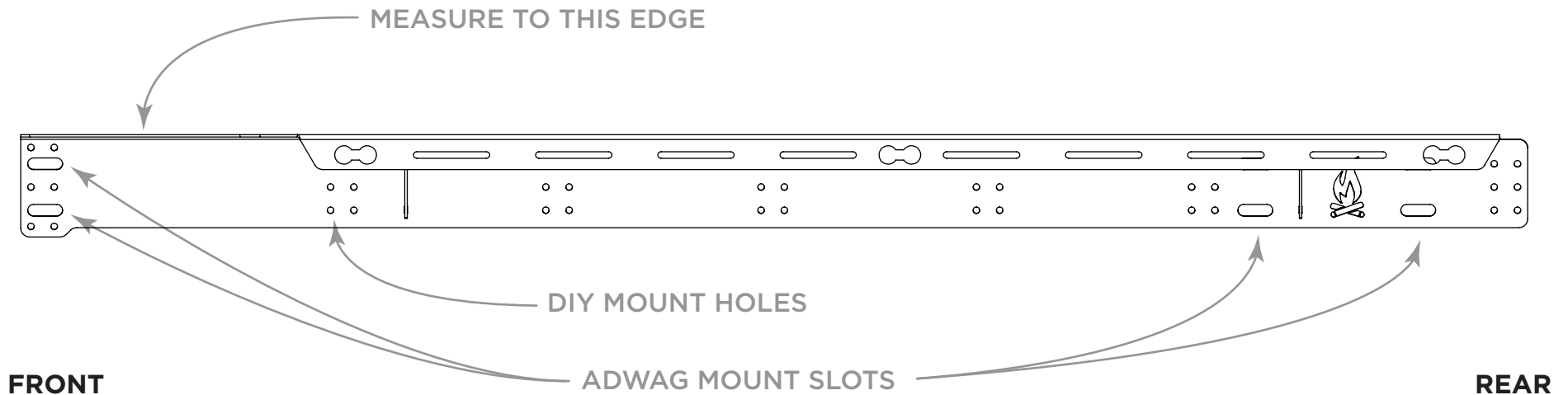
# LET'S GET STARTED!

## DIY INSTALLATION

1. FIRST STEP IS TO GET THE BED RAILS UP. HAVING A SECOND SET OF HANDS MAKES THIS MUCH EASIER. POSITION THEM WHERE YOU WANT THEM, AND DRILL A FEW PILOT HOLES TO PUT SCREWS INTO.  
**NOTE-** THE SPRINTER BED SYSTEM HAS A MOUNTING WIDTH RANGE (THE DISTANCE BETWEEN YOUR WALL PANELS) OF ROUGHLY 65.5" - 70.5" AT THE WIDEST POINT.
2. PUT A COUPLE SCREWS IN (OR RIVNUT AND BOLT) TO HOLD THE RAIL UP WHILE YOU SELECT AND DRILL OPTIMAL LOCATIONS FOR YOUR ADDITIONAL MOUNTING HOLES.  
**NOTE-** OPTIMAL MOUNTING LOCATIONS WILL VARY DEPENDING HOW HIGH YOU MOUNT THE RAILS AS THE SUBSTRUCTURE OF THE VAN CHANGES.

## ADWAG INSTALLATION

1. WITH THE ADWAG INSTALLATION YOU WANT TO HOLD THE BED RAIL UP AT THE DESIRED HEIGHT, NOTING THE CORRESPONDING KEY WAYS ON THE L-TRACK. YOU CAN MARK THESE WITH PAINTERS TAPE OR A MARKER IF YOU PREFER. THE NEXT PAGE SHOWS ADDITIONAL DETAIL ON THIS STEP.  
**NOTE-** THE SPRINTER BED SYSTEM HAS A MOUNTING WIDTH RANGE (THE DISTANCE BETWEEN YOUR WALL PANELS) OF ROUGHLY 65.5" - 70.5" THIS MEASUREMENT WILL DETERMINE YOUR MAXIMUM HEIGHT WITH THE ADWAG INTERIOR KIT.
2. PULL THE RAIL BACK DOWN AND PLACE YOUR L-TRACK STUDS IN THE DETERMINED KEY WAYS. THEN PUT THE BED RAIL BACK UP SLIDING IT BEHIND THE REAR CORNER TRIM OF THE ADWAG KIT AND ONTO THE L-TRACK STUDS, THEN TIGHTEN DOWN THE NUTS.  
**NOTE-** DO NOT OVER TIGHTEN THE L-TRACK STUD NUTS.



**NOTE-** THE FLAME LOGO IS THE BACK OF THE BED RAIL AND FACES THE REAR OF THE VAN.

3. THE L-TRACK STUDS SEAT STRADDLING TWO OF THE CIRCULAR CUTOUTS AND ANCHOR IN THE KEY WAY AS SHOWN BELOW.

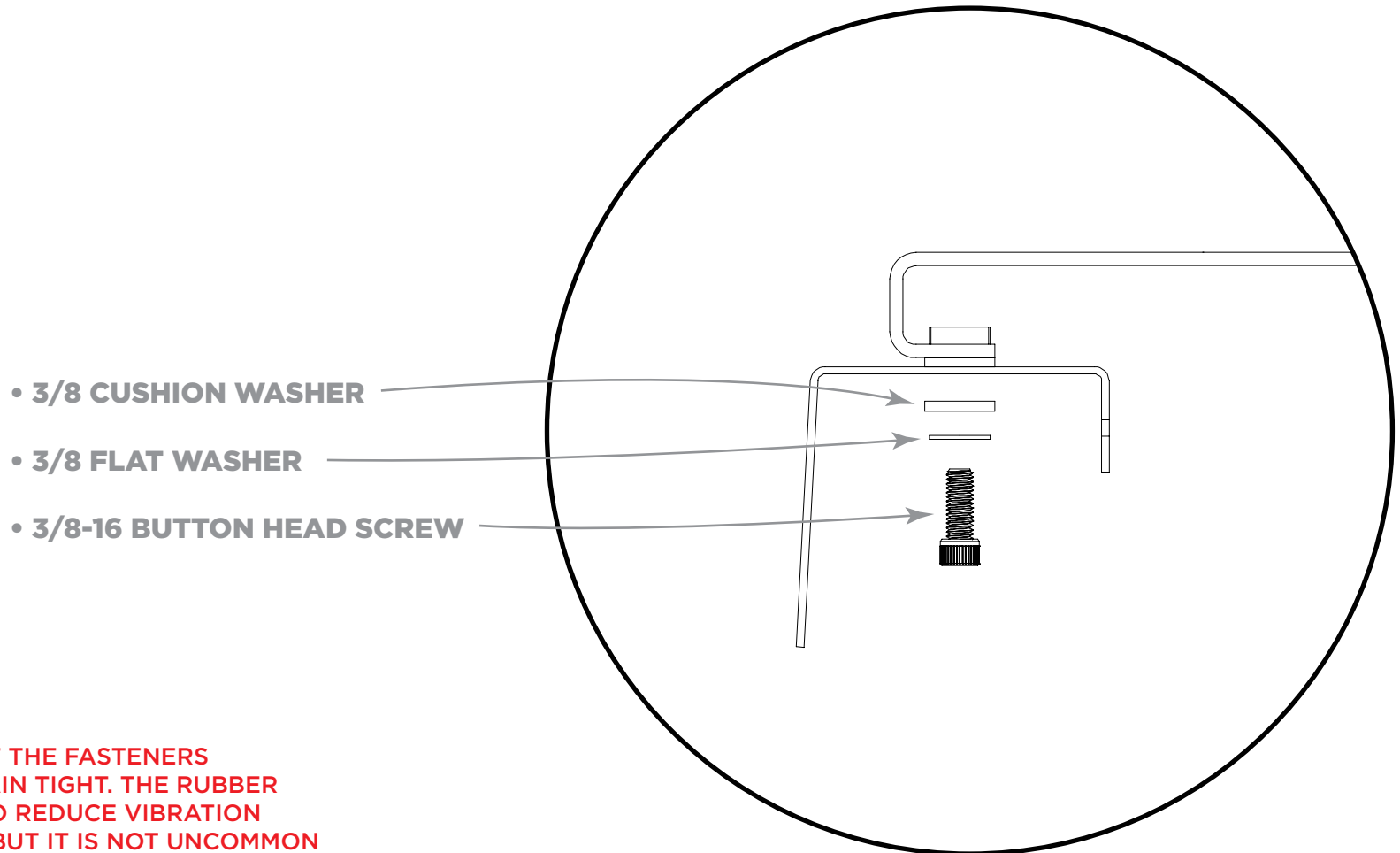


L-TRACK STUD  
WILL LINE UP WITH  
THIS KEY WAY

3. ONCE YOU HAVE YOUR BED RAILS UP AND FULLY MOUNTED, YOU CAN SIMPLY PLACE THE BED PANELS ON AND FASTEN THEM USING THE **3/8-16 BUTTON HEAD SCREWS**, **3/8 FLAT WASHER**, AND **3/8 CUSHIONING WASHER**, IN THAT ORDER (SEE FIGURE 1)

**NOTE-** THERE ARE TWO (2) CONFIGURATIONS FOR YOUR DIY BED! THERE ARE TWO SERIES OF MOUNTING SLOTS ON THE RAILS. YOU HAVE THE OPTION FOR A **72"** LONG BED OR A **75"** LONG BED FOR YOU TALLER FOLKS! SEE NEXT PAGE FOR DETAILS.

**FIGURE 1**



**PERIODICALLY INSPECT THE FASTENERS TO ENSURE THEY REMAIN TIGHT. THE RUBBER WASHER IS PRESENT TO REDUCE VIBRATION RELATED LOOSENING, BUT IT IS NOT UNCOMMON FOR THE FASTENERS TO LOOSEN UP OVER TIME**



# GET OUT AND EXPLORE!

## LEAVE US A REVIEW

Happy with your new FVC product? We would love to hear (and see) from you! Head to the product page and click "Leave Review." Add a short review and upload a few photos to be showcased on the product page.

## SHARE YOUR PHOTOS WITH US

We love seeing how our customers use their FVC products and following along with your adventures. Tag us in your photos with @flatlinevanco or send them to us via email. We love posting customer pictures in our feed!

## CUSTOMER SUPPORT

If you are having any issues with your product, please reach out, and we will make it right. FVC is a company of van and outdoor enthusiasts that design and use our own products, so we want you to be as stoked on your new parts as we are!



**@flatlinevanco**



**facebook.com/flatlinevanco**



**youtube.com/flatlinevanco**



**support@flatlinevanco.com**



**thanks!**