



## Installation Guide



## ProMaster Bed System PM0301B

All Flatline Van Co products must be properly assembled and secured before attaching to your vehicle. Improper attachment could result in an automobile accident, and could cause serious bodily injury or death to you or to others involved. You are responsible for assembling and securing Flatline Van Co products to your vehicle, checking the mounting points and attachments prior to use, and regularly inspecting the products for wear and or damage. We always recommend you use a professional to install any aftermarket accessories to your vehicle. If you have no mechanical experience and are not thoroughly familiar with the installation procedures, you must have the product installed by a professional installer or other qualified persons. The responsibility is yours and must be taken seriously for everyone's safety.



thanks.

# THANK YOU!

ARE YOU EXCITED ABOUT YOUR NEW PROMASTER BED SYSTEM? HERE ARE A FEW THINGS TO DO BEFORE BEGINNING THE INSTALLATION PROCESS--

- PLEASE INSPECT THE PRODUCT TO ENSURE THERE WAS NO DAMAGE INCURRED DURING SHIPPING.
- IF THERE IS DAMAGE TO REPORT, PLEASE CONTACT OUR CUSTOMER SERVICE DEPARTMENT AS SOON AS POSSIBLE.
- NEXT, USING THE "PACKAGE CONTENTS" PAGE, CHECK INVENTORY AND FAMILIARIZE YOURSELF WITH THE PARTS AND HARDWARE.
- GATHER ALL TOOLS REQUIRED FOR INSTALL.
  - 5/16 HEX KEY ALLEN WRENCH

ADDT'L TOOLS-

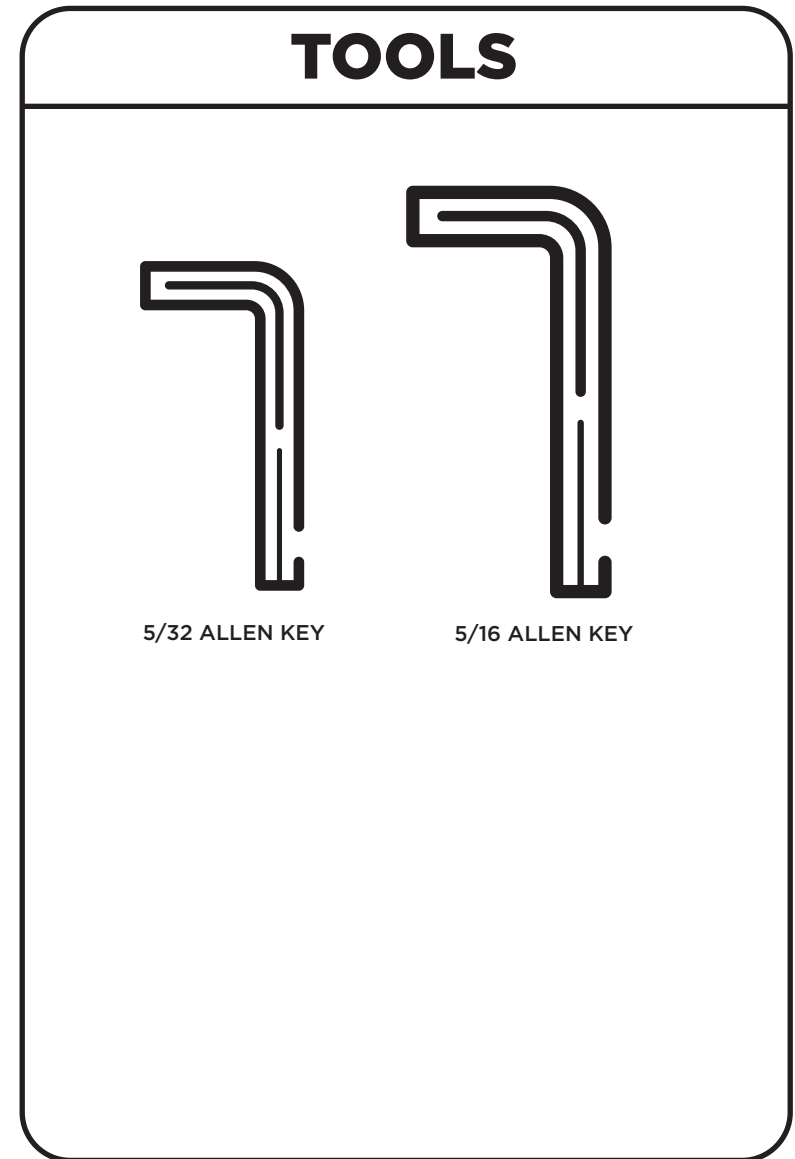
**NON BRACKET INSTALL-**

- POWER DRILL
- 1/8" DRILL BIT

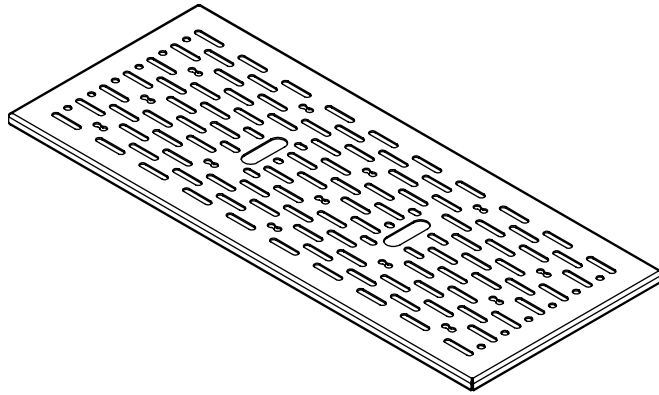
**DIY BRACKET INSTALL-**

- 9/16" SOCKET OR WRENCH (IF L-TRACK INSTALLED)
- 5/32 HEX KEY ALLEN WRENCH (FOR SUPPLIED DIY HARDWARE)

- IT'S RECOMMENDED TO HAVE A SECOND SET OF HANDS WHEN INSTALLING THE BED RAILS TO HELP LEVEL THEM.
- YOU CAN INSTALL THIS BED USING SELF TAPPING SCREWS, OR BY USING RIVNUTS (REQUIRE SEPARATE TOOL)

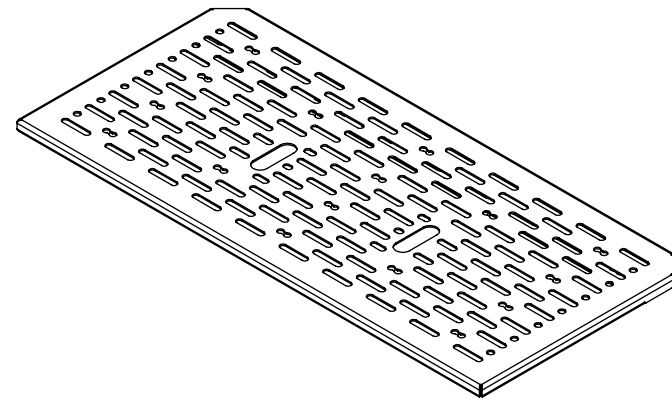


# PACKAGE CONTENTS



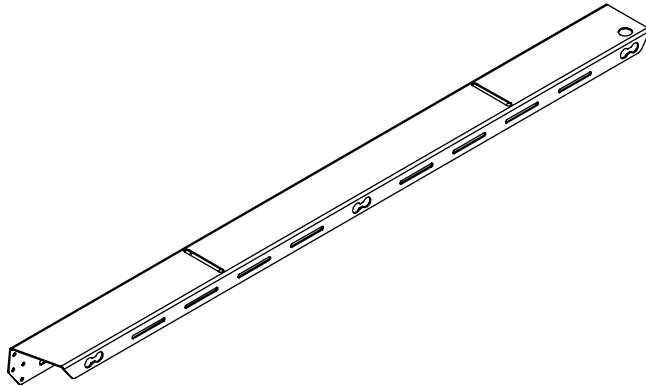
**BED PANEL**

**QTY - 1**



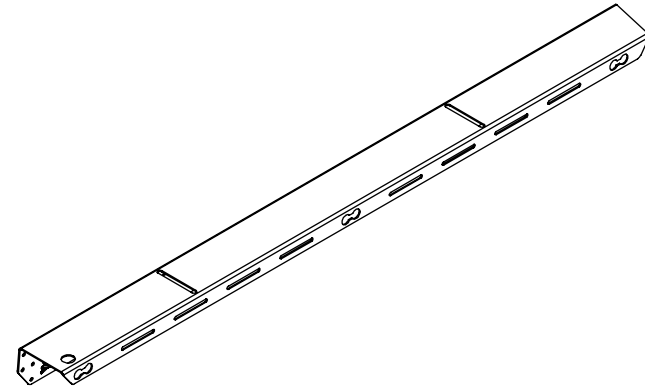
**REAR BED PANEL**

**QTY - 1**



**PASSENGER SIDE BED RAIL**

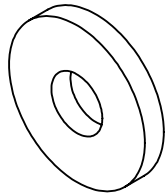
**QTY - 1**



**DRIVER SIDE BED RAIL**

**QTY - 1**

# HARDWARE PACK



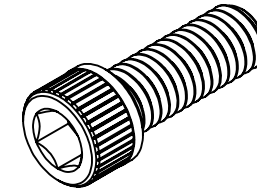
**3/8 SCREW CUSHION  
WASHER**

**QTY - 4**



**3/8 SCREW FLAT WASHER**

**QTY - 4**



**3/8-16 X 1 SOCKET HEAD  
HEX DRIVE SCREW**

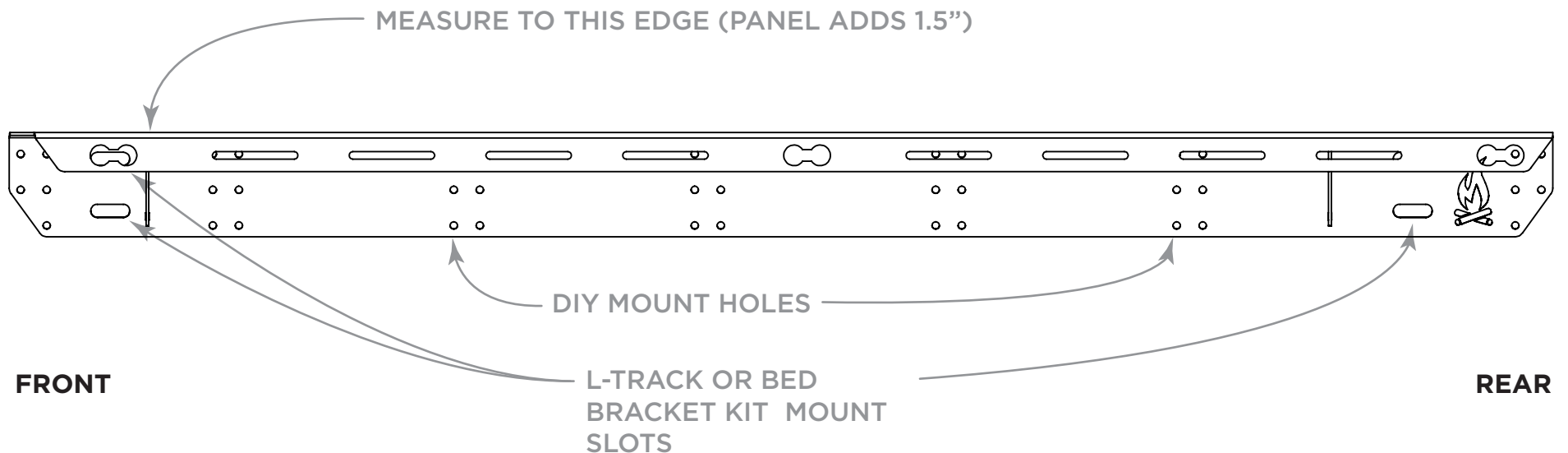
**QTY - 4**

# LET'S GET STARTED!

THE BED RAILS HAVE MULTIPLE MOUNTING HOLES AND STYLES TO COVER A RANGE USER DETERMINED MOUNTING STYLES. BELOW IS A DIAGRAM DETAILING THE BED RAIL. WE HAVE PROVIDED A LARGE AMOUNT OF 1/4" CLEARANCE HOLES (LABELED DIY MOUNT HOLES) FOR USERS CHOOSING TO MOUNT THE BED RAIL DIRECTLY TO THE VAN CHASSIS, AND THESE ARE SIZED FOR A 1/4-20, M6, OR #14 SELF DRILLING SCREW. WE RECOMMEND TEST FITTING YOUR RAILS TO THE WALL AT DESIRED HEIGHT, THEN INSERTING SOME SELF TAPPING SCREWS TO HOLD IN PLACE WHILE INSERTING YOUR FINAL MOUNT HARDWARE, OR FOR DRILLING RIVNUT PILOT HOLES.

WE HAVE ALSO PROVIDED 4 SLOTS THAT FUNCTION WITH OUR DIY BED BRACKET KIT. THESE SLOTS ARE SIZED TO FIT STANDARD L-TRACK ANCHORS, OR THEY WORK WITH THE 1/4-20 MOUNTING HARDWARE WE SUPPLY WITH THE DIY BED BRACKET KIT.

SEE PAGE 6 FOR DETAILS ON MOUNTING TO THE DIY BED BRACKET KIT, AND SEE PAGE 7 FOR DETAILS ON L-TRACK.



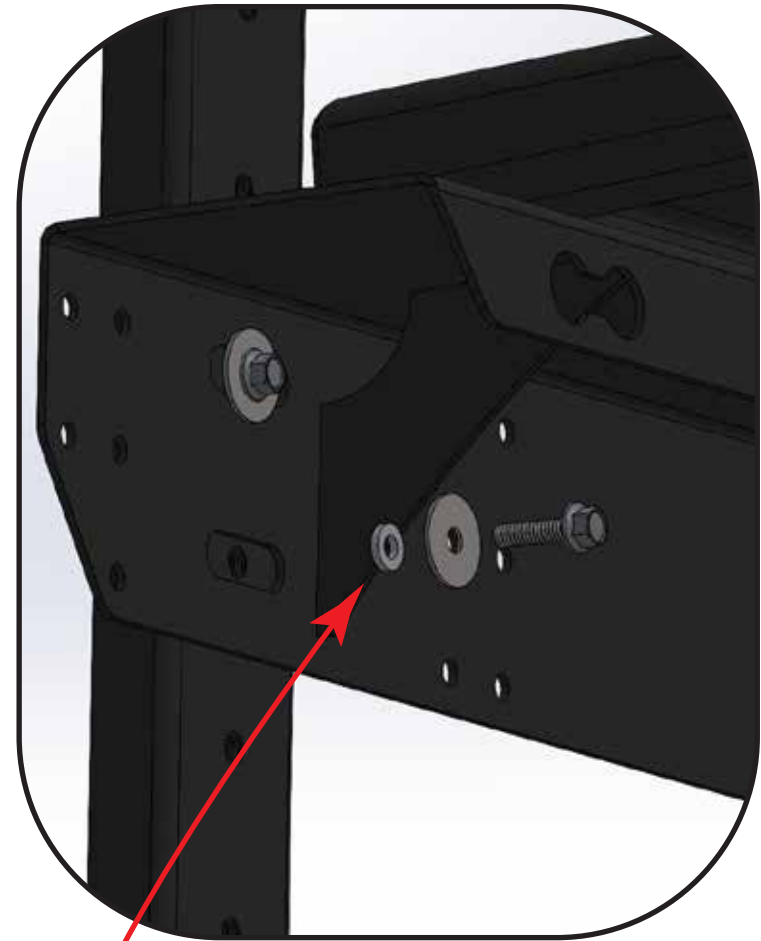
**NOTE-** THE FLAME LOGO IS THE BACK OF THE BED RAIL AND FACES THE REAR OF THE VAN.

# DIY BRACKET MOUNTING

PLEASE REFER TO THE DIY BED BRACKET KIT INSTALLATION MANUAL FIRST BEFORE ATTEMPTING TO INSTALL THE BED SYSTEM.

WITH THE BED BRACKET INSTALLATION YOU WANT TO HOLD THE BED RAIL UP AT THE DESIRED HEIGHT (YOU CAN MARK WITH PAINTERS TAPE TO DOUBLE CHECK IF PREFERRED) AND THEN INSERT THE HARDWARE PROVIDED WITH THE DIY BED BRACKET KIT AS SHOW IN THE IMAGE TO THE RIGHT. TIGHTEN DOWN AND REPEAT ON BOTH SIDES.

**NOTE-** THE PROMASTER BED SYSTEM HAS A MOUNTING WIDTH RANGE (THE DISTANCE BETWEEN YOUR WALL PANELS) OF ROUGHLY 64" - 69.5" THIS MEASUREMENT WILL DETERMINE YOUR MAXIMUM HEIGHT. DEPENDING ON YOUR WALL PANEL THICKNESS YOU MAY NEED TO PURCHASE LONGER BOLTS. THE PROVIDED HARDWARE WILL ALLOW UP TO A 3/8" THICK WALL PANEL (+FABRIC ETC.)



MAKE SURE SPACER FROM DIY BRACKET KIT SITS BEHIND WASHER. THIS HELPS THE RAIL SEAT CORRECTLY.

# L-TRACK MOUNTING

IF YOU'VE INSTALLED L-TRACK ONTO YOUR DIY BED BRACKET KIT (MORE INFO PROVIDED IN DIY BED BRACKET KIT INSTALL GUIDE) THEN YOU WILL FOLLOW THE SAME PROCEDURE AS MENTIONED IN PREVIOUS PAGE WITH THE EXCEPTION OF MOUNTING YOUR L-TRACK ANCHORS FIRST. KEEP IN MIND THAT THE L-TRACK ANCHORS CENTER ON THE FLAT SPOT OF THE KEY WAY AS SHOWN IN THE IMAGE BELOW.

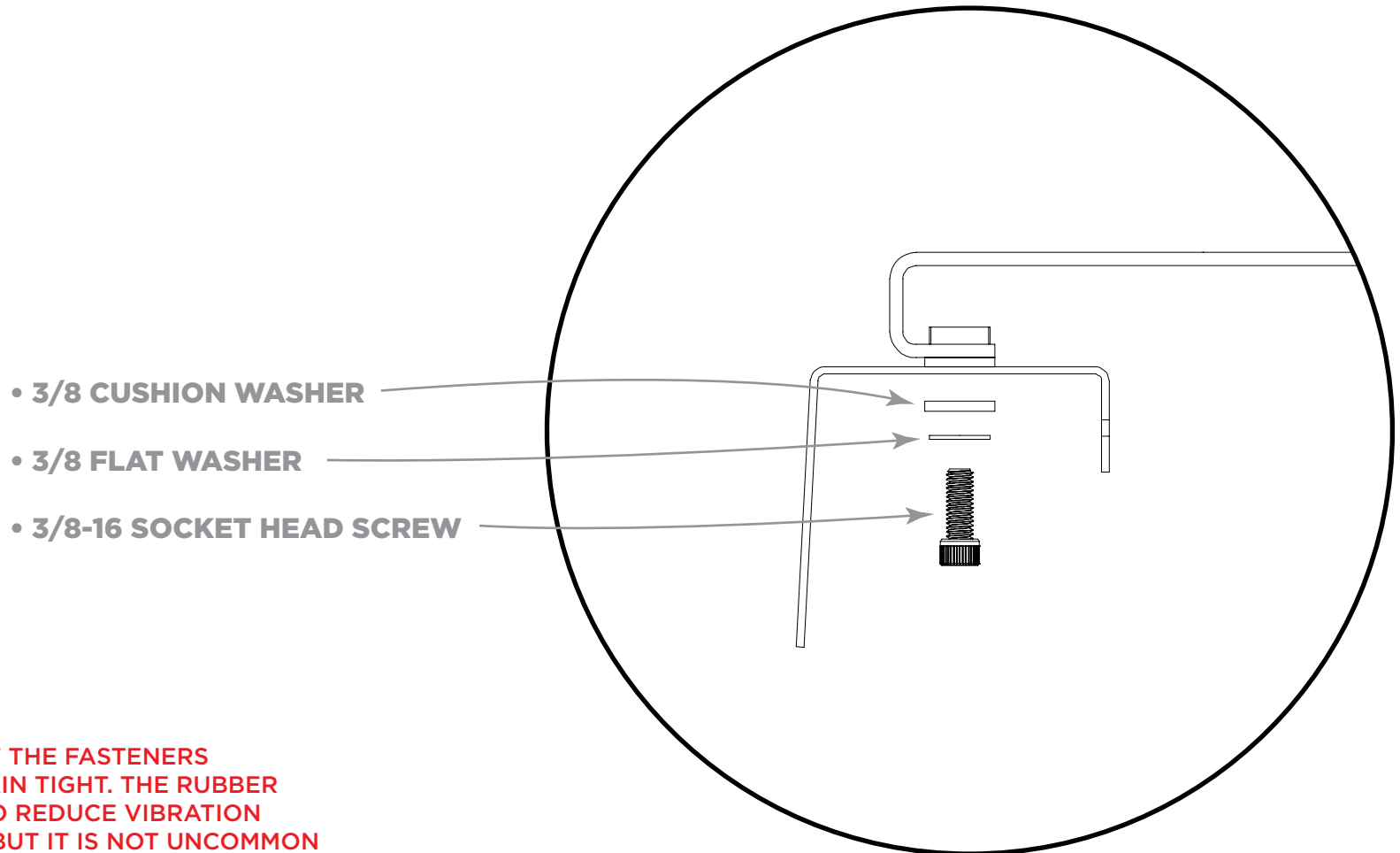


L-TRACK STUD  
WILL LINE UP WITH  
THIS KEY WAY



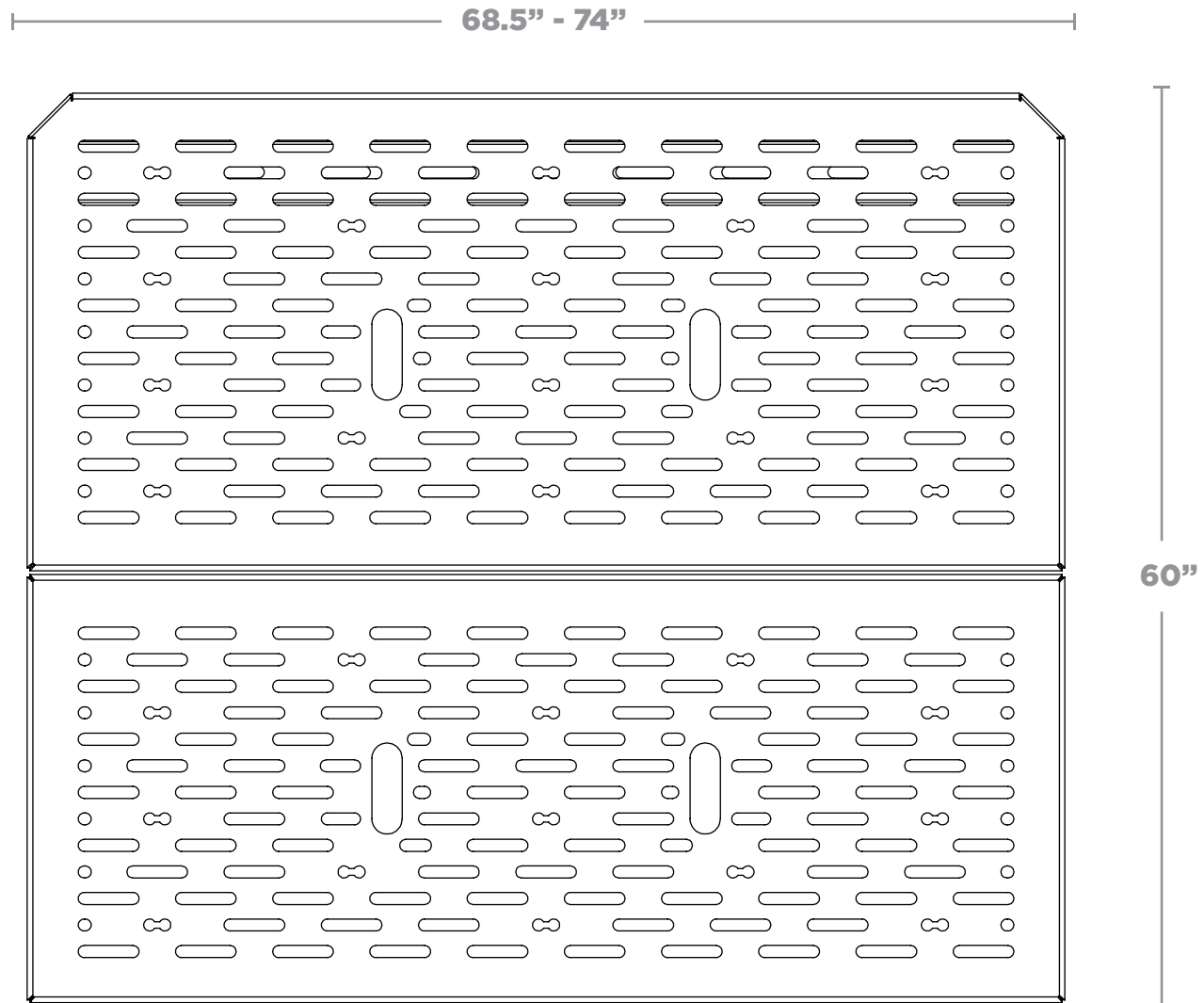
ONCE YOU HAVE YOUR BED RAILS UP AND FULLY MOUNTED, YOU CAN SIMPLY PLACE THE BED PANELS ON AND FASTEN THEM USING THE **3/8-16 SOCKET HEAD SCREWS**, **3/8 FLAT WASHER**, AND **3/8 CUSHIONING WASHER**, IN THAT ORDER (SEE FIGURE 1)

**FIGURE 1**



**PERIODICALLY INSPECT THE FASTENERS TO ENSURE THEY REMAIN TIGHT. THE RUBBER WASHER IS PRESENT TO REDUCE VIBRATION RELATED LOOSENING, BUT IT IS NOT UNCOMMON FOR THE FASTENERS TO LOOSEN UP OVER TIME**

THE DIAGRAM BELOW PROVIDES OVERALL DIMENSIONS OF THE BED PANELS.



# GET OUT AND EXPLORE!

## LEAVE US A REVIEW

Happy with your new FVC product? We would love to hear (and see) from you! Head to the product page and click "Leave Review." Add a short review and upload a few photos to be showcased on the product page.

## SHARE YOUR PHOTOS WITH US

We love seeing how our customers use their FVC products and following along with your adventures. Tag us in your photos with @flatlinevanco or send them to us via email. We love posting customer pictures in our feed!

## CUSTOMER SUPPORT

If you are having any issues with your product, please reach out, and we will make it right. FVC is a company of van and outdoor enthusiasts that design and use our own products, so we want you to be as stoked on your new parts as we are!



**@flatlinevanco**



**facebook.com/flatlinevanco**



**youtube.com/flatlinevanco**



**support@flatlinevanco.com**



**thanks!**