



## Installation Guide



## ProMaster Side Ladder PM0201B

All Flatline Van Co products must be properly assembled and secured before attaching to your vehicle. Improper attachment could result in an automobile accident, and could cause serious bodily injury or death to you or to others involved. You are responsible for assembling and securing Flatline Van Co products to your vehicle, checking the mounting points and attachments prior to use, and regularly inspecting the products for wear and or damage. We always recommend you use a professional to install any aftermarket accessories to your vehicle. If you have no mechanical experience and are not thoroughly familiar with the installation procedures, you must have the product installed by a professional installer or other qualified persons. The responsibility is yours and must be taken seriously for everyone's safety.



thanks.

# THANK YOU!

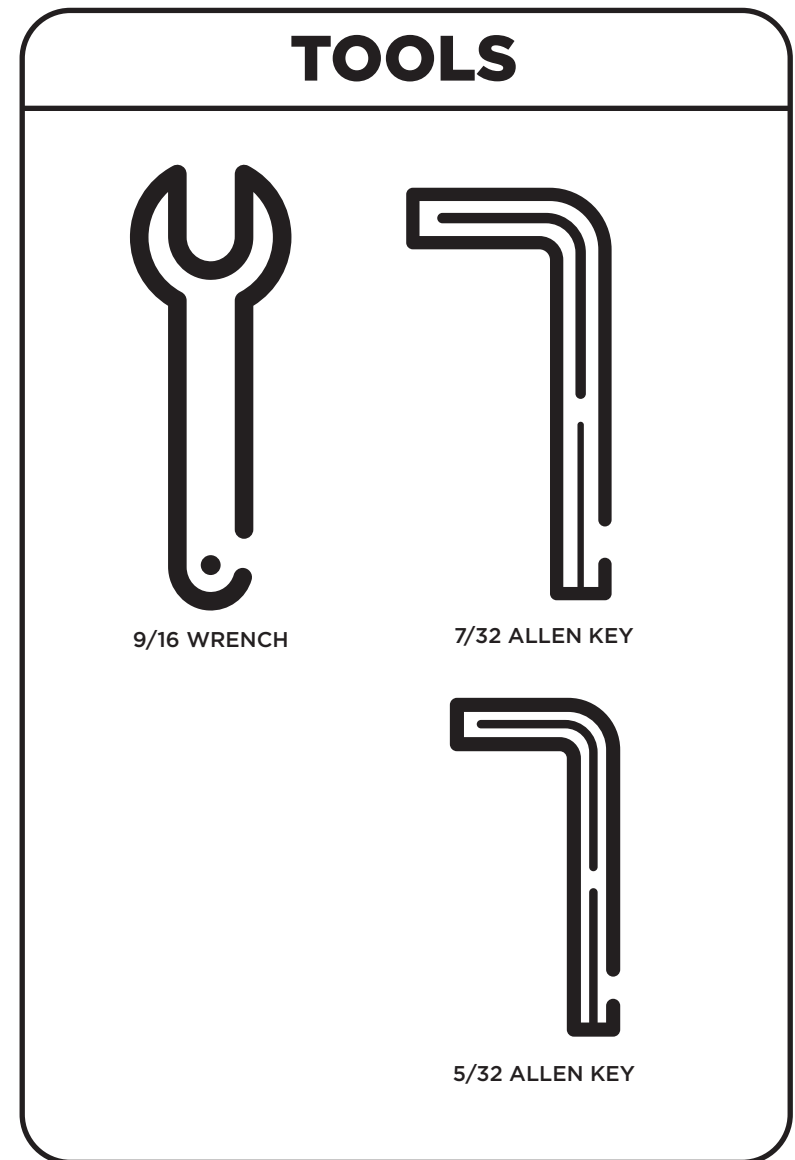
ARE YOU EXCITED ABOUT YOUR NEW SIDE LADDER? HERE ARE A FEW THINGS TO DO BEFORE BEGINNING THE INSTALLATION PROCESS--

- PLEASE INSPECT THE PRODUCT TO ENSURE THERE WAS NO DAMAGE INCURRED DURING SHIPPING.
- IF THERE IS DAMAGE TO REPORT, PLEASE CONTACT OUR CUSTOMER SERVICE DEPARTMENT AS SOON AS POSSIBLE.
- NEXT, USING THE "PACKAGE CONTENTS" PAGE, CHECK INVENTORY AND FAMILIARIZE YOURSELF WITH THE PARTS AND HARDWARE.
- GATHER ALL TOOLS REQUIRED FOR INSTALL.
  - 9/16 BOX WRENCH OR SOCKET
  - 7/32 HEX KEY ALLEN WRENCH
  - POWER DRILL
  - IMPACT DRIVER
  - 1/8" DRILL BIT

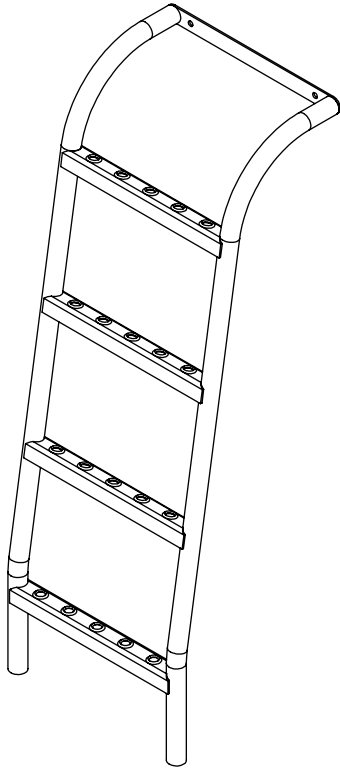
ESTIMATED INSTALL TIME- 1 HR

ADDITIONAL HELP IS SUGGESTED FOR A FEW OF THE INSTALL STEPS.

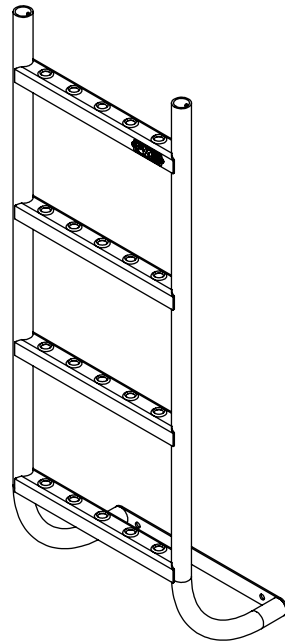
WE RECOMMEND BLUE LOCTITE FOR SOME OF THE INSTALL STEPS.



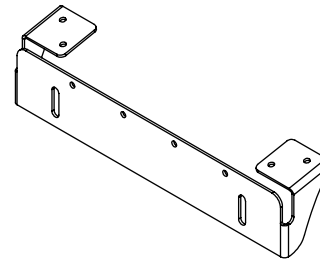
# PACKAGE CONTENTS



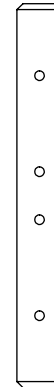
LADDER TOP  
QTY-1



LADDER BOTTOM  
QTY-1

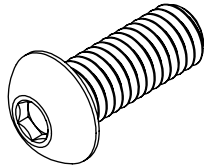


MOUNT BRACKET  
QTY-1

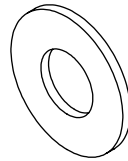


COUPLER  
QTY-2

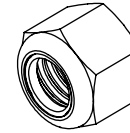
# HARDWARE PACK



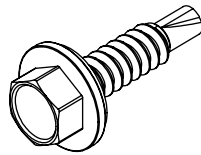
**3/8-16 X 1" BUTTON  
HEAD SCREW  
QTY-4**



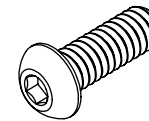
**3/8 FLAT  
WASHER  
QTY-8**



**3/8-16  
NYLOCK  
QTY-4**



**1/4 SELF  
DRILLING  
SCREW  
QTY-8**



**1/4-20 BUTTON HEAD  
SCREW  
QTY-8**

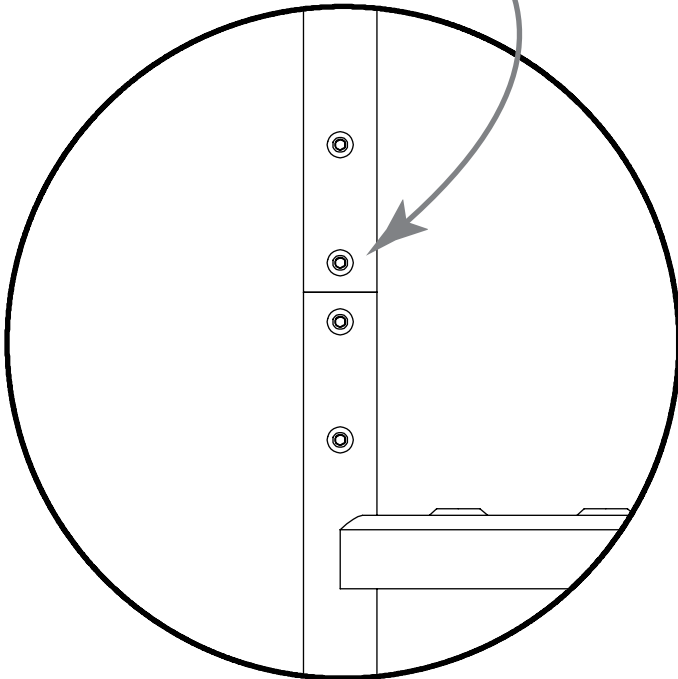
# LET'S GET STARTED!

1. PLACE THE LADDER HALVES FRONT SIDE DOWN, INSERT THE COUPLERS INTO ONE HALF (SEE **FIGURE 1**), AND TIGHTEN DOWN USING THE 1/4-20 SCREWS.

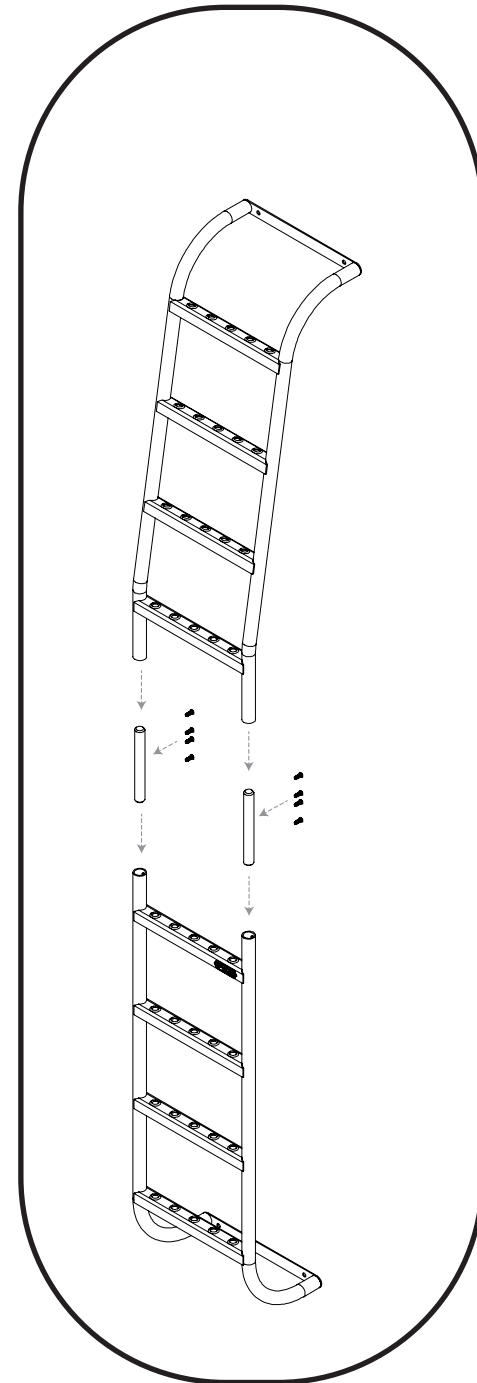
2. SLIDE THE OTHER LADDER HALF ONTO THE COUPLERS AND TIGHTEN DOWN.

**NOTE-** WE RECOMMEND YOU USE BLUE LOCTITE ON THE SCREWS.

**FIGURE 2**



**FIGURE 1**



3. NEXT, LOOSELY BOLT THE LADDER TO THE LADDER MOUNT SLOTS ON THE SIDE OF YOUR LOW PRO ROOF RACK USING TWO (2) EACH OF THE **3/8-16 BUTTON HEAD SCREWS, 3/8 FLAT WASHERS, AND 3/8 NYLOCK NUTS.**

***NOTE- HAVING AN EXTRA SET OF HANDS HERE IS VERY HELPFUL.***

**MOUNT TO ROOF RACK**



4. TAKE THE MOUNT PLATE (SEE RIGHT) AND LOOSELY ATTACH IT TO THE BOTTOM OF THE LADDER USING TWO **3/8-16 X 1" BUTTON HEAD SCREWS, 3/8 FLAT WASHERS, AND 3/8-16 NYLOCK NUTS.**

5. NEXT, LIFT THE MOUNT BRACKET UPWARD TO THE BODY OF THE VAN, STRADDLING THE PINCH SEAM SO THAT THE FACE OF THE BRACKET RESTS ON THE OUTSIDE OF THE PINCH SEAM (SEE **FIGURE 3**) AND TIGHTEN THE 3/8 HARDWARE. ONCE THE BOLTS ARE TIGHT, DRIVE IN THE **1/4 SELF DRILLING SCREWS** INTO THE PRE-CUT HOLES ON THE **MOUNT PLATE.**

**NOTE-** IF YOU'RE HAVING TROUBLE DRIVING THE 1/4 SELF DRILLING SCREWS IN, SOMETIMES AN 1/8" PILOT HOLE IS NECESSARY.

6. NOW CLIMB BACK UP TOP, ENSURE THE LADDER IS STRAIGHT UP AND DOWN, AND TIGHTEN DOWN THE UPPER MOUNTING BOLTS TO THE ROOF RACK.

MOUNT BRACKET

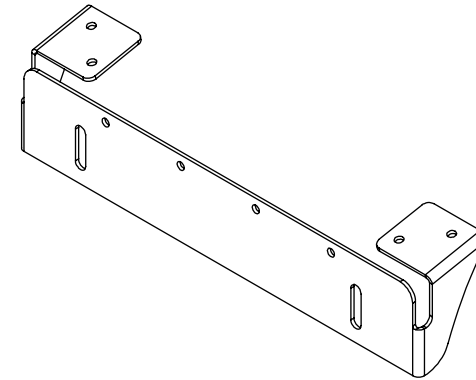


FIGURE 3





# GET OUT AND EXPLORE!

## LEAVE US A REVIEW

Happy with your new FVC product? We would love to hear (and see) from you! Head to the product page and click "Leave Review." Add a short review and upload a few photos to be showcased on the product page.

## SHARE YOUR PHOTOS WITH US

We love seeing how our customers use their FVC products and following along with your adventures. Tag us in your photos with @flatlinevanco or send them to us via email. We love posting customer pictures in our feed!

## CUSTOMER SUPPORT

If you are having any issues with your product, please reach out, and we will make it right. FVC is a company of van and outdoor enthusiasts that design and use our own products, so we want you to be as stoked on your new parts as we are!



**@flatlinevanco**



**facebook.com/flatlinevanco**



**youtube.com/c/flatlinevanco**



**support@flatlinevanco.com**



**thanks!**