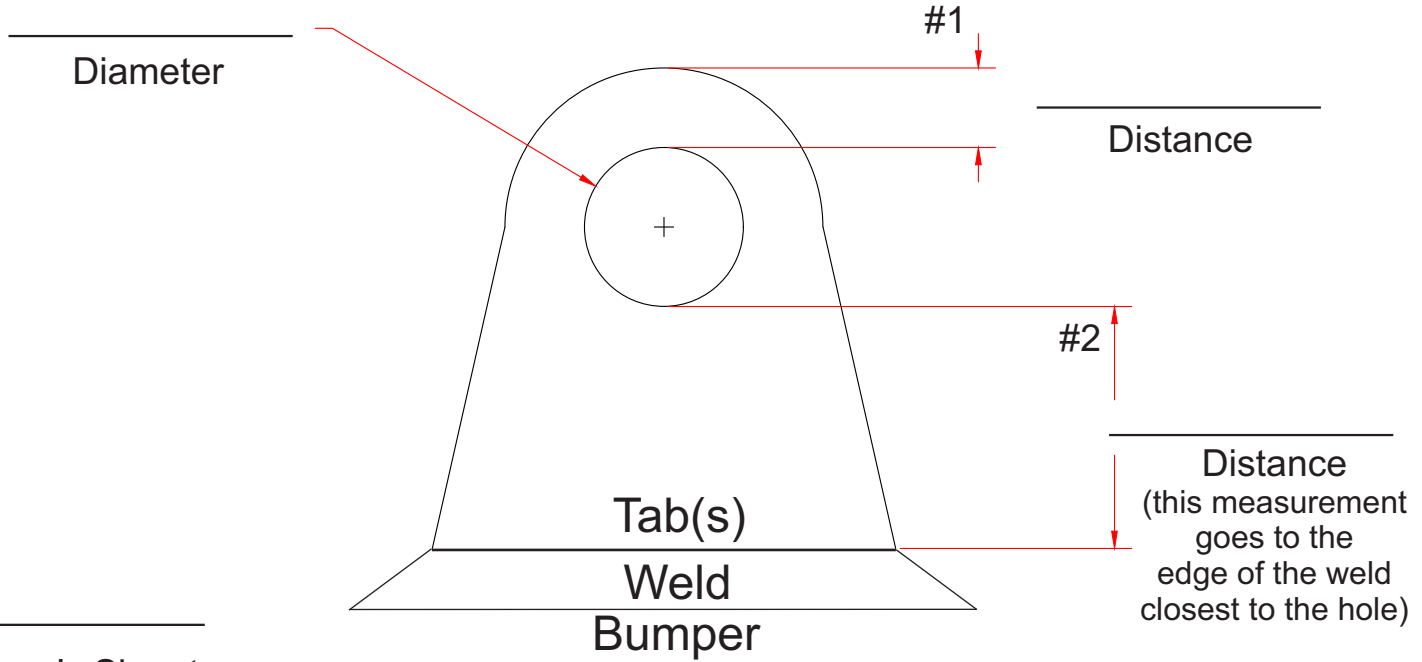


# Aftermarket attachment point

Diameter of Pins you plan on using \_\_\_\_\_



Customer's Signature  
Date: \_\_\_\_\_

\_\_\_\_\_  
#3 Width of  
Opening if applies

#3

#4

\_\_\_\_\_  
Width

