

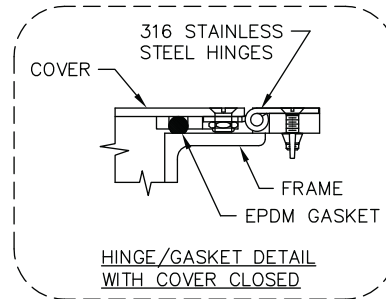
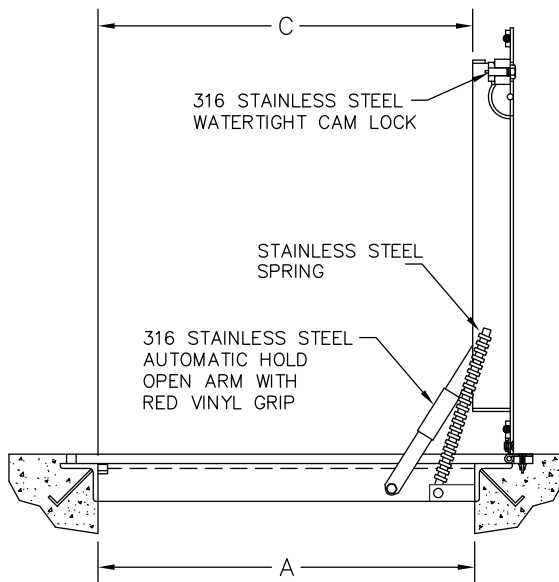
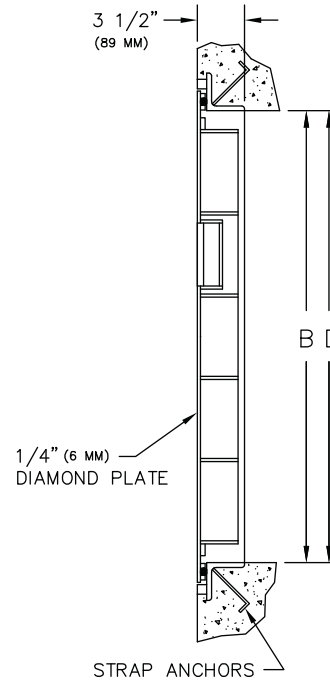
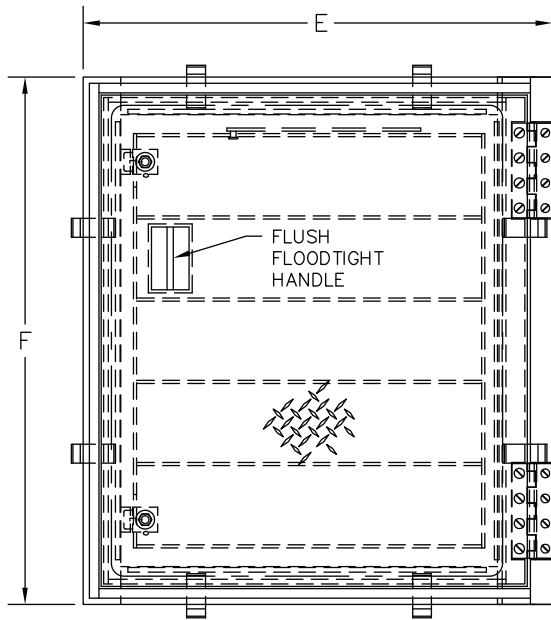


www.acudor.com
 U.S.A.: info@acudor.com / 800.722.0501
 CANADA: info@acudor.ca / 844.228.3671
 INTERNATIONAL: info@acudorintl.com
 905.428.2240

AW-APS

ANGLE FRAME FLOOR DOOR FLOODTIGHT/GASTIGHT

NOMINAL DOOR SIZE	FRAME OPENING		CLEAR OPENING		OVERALL SIZE		WEIGHT
	A in. (mm)	B in. (mm)	C in. (mm)	D in. (mm)	E in. (mm)	F in. (mm)	
24 x 24 (610 x 610)	24 (610)	24 (610)	22 (584)	24 (610)	31-5/8 (803)	30 (762)	84 (38)
24 x 30 (610 x 762)	24 (610)	30 (762)	22 (584)	30 (762)	31-5/8 (803)	36 (914)	101 (46)
24 x 36 (610 x 914)	24 (610)	36 (914)	22 (584)	36 (914)	31-5/8 (803)	42 (1067)	117 (53)
30 x 30 (762 x 762)	30 (762)	30 (762)	28 (737)	30 (762)	37-5/8 (940)	36 (914)	125 (57)
30 x 36 (762 x 914)	30 (762)	36 (914)	28 (737)	36 (914)	37-5/8 (940)	42 (1067)	136 (62)
30 x 48 (762 x 1219)	30 (762)	48 (1219)	28 (737)	48 (1219)	37-5/8 (940)	54 (1372)	176 (80)
36 x 36 (914 x 914)	36 (914)	36 (914)	34 (914)	36 (914)	43-5/8 (1108)	42 (1067)	156 (71)
36 x 48 (914 x 1219)	36 (914)	48 (1219)	34 (914)	48 (1219)	43-5/8 (1108)	54 (1372)	201 (91)



NOTE:
 - MATERIAL: ALUMINUM WITH 316 STAINLESS STEEL NUTS & BOLTS, CAM LOCKS, HINGES AND HOLD OPEN ARM.
 - LOADING: 1560 LBS. PER SQ. FOOT (7611 KG. PER SQ. M) (CAPABLE OF HOLDING UP TO 25 FT. HEAD OF WATER)
 - S.S. HORIZONTAL SPRINGS
 - BITUMINOUS PAINT ON AREA IN CONTACT WITH CONCRETE

JOB NAME:
 CUSTOMER:

APPROVED BY:
 DATE: