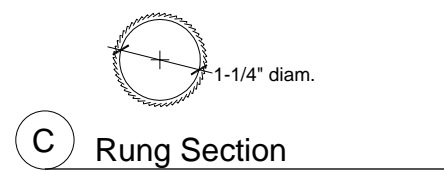


**A** Platform Plan View



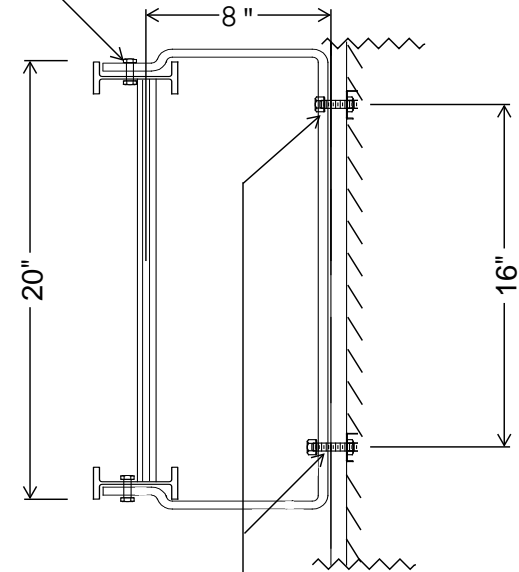
**Are there any Pop Outs on the Wall? How far do they stick out?**

\_\_\_\_\_

**A. Contractor to Verify the distance from the F.F. to the roof or mezzanine .**

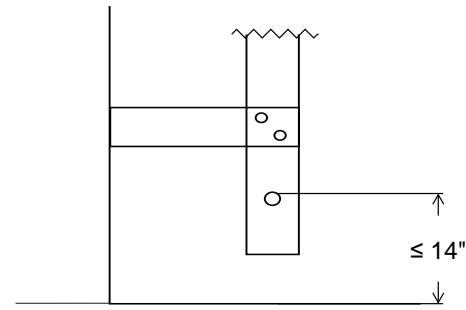
\_\_\_\_\_

(2) 3/8" Bolts w/ Locking Nut



9/16" Pre Drilled Holes @ 16" O.C.  
(Anchor/ Lag Bolts Provided by Others)

**B** Wall Bracket Detail



Off Floor Mounting (Optional)

**Industrial Ladder & Scaffolding, Inc.**

8152 Belvedere Ave. P: (800) 262-0231  
Sacramento, CA F: (916) 452-0245

www.anyladder.com

Since 1959

- Ladder Options:**
- Fall Protection Safety Gate
  - Off Floor Mounting
  - Reinforced Side Rails
  - Vertical Handrails
  - Security Door

**ALACCBP**

Freight  Will Call - Sacramento, CA

Address: \_\_\_\_\_

City, State, Zip: \_\_\_\_\_

Company: \_\_\_\_\_

Name: \_\_\_\_\_

Phone Number: \_\_\_\_\_

Signature: \_\_\_\_\_

Date: \_\_\_\_\_