

LED Luminaires

ProLED Select Linear Highbay Series

- Wattage Selectable
- 11 Lumen Packages Covering 9,700-45,000 Lumens
- 4000K & 5000K CCT
- 0-10V Dimming
- Occupancy Sensing
- Emergency Battery Backup DLC 5.1 Premium

Specifications



Description

The ProLED Select Linear High Bay Series is a long life and energy efficient replacement for existing linear fluorescent or HID installations. Ideal for high mounting heights, the ProLED Select Linear High Bays deliver instant-on capabilities, uniform illumination, and reduced maintenance costs. Meeting specified lumen levels is simple with ProLED Select Wattage Selectability. The ProLED Select LHB is able to offer 11 different lumen packages in only 4 SKU's.

Performance

- Base wattages of 110W, 160W, 220W and 320W
- Wattage selectable
- >135 LPW
- L70 Lumen maintenance > 100,000 hours @ 25°C
- Built in 6kV surge protection
- 5 Year limited warranty
- 0-10V Dimming
- 120-277V & 347-480V

Construction

- Durable steel housing
- Frosted polycarbonate lens
- Chain and V hook mount

Certifications

- DLC 5.1 Premium
- cULus
- FCC

Controls

- 0-10 VDC dimming standard
- RF bi-level occupancy sensing
- PIR bi-level occupancy sensing

Applications

- Warehousing
- Manufacturing
- Showrooms
- Gymnasiums
- Big box and retail stores

ProLED Select Linear Highbay Series

Product Description

Ordering Logic: Ex: LHB-1-WS-50-U-LVMS

Series	Lumen Package	Wattage	CCT	Voltage	Options
LHB = Linear Highbay	1 = 15,500 Lumens 2 = 22,500 Lumens 3 = 31,000 Lumens 4 = 45,000 Lumens	WS = Wattage Selectable 1 (110W-90W-70W) 2 (160W-135W-110W) 3 (220W-200W-180W) 4 (320W-280W-240W)	40 = 4000K 50 = 5000K	U = 120-277VAC H = 347-480VAC	EM = Battery Backup LVMS = Low Voltage RF Bi-Level Motion Sensor PIRMS = PIR Motion Sensor

Ordering Information

Product SKU	Product Code	Product Description
30280	LHB-1-WS-40-U	ProLED Select Linear Highbay 110 Watt, Wattage Selectable 110W 90W 70W, 4000K CCT with Low Voltage 120-277VAC
30281	LHB-1-WS-50-U	ProLED Select Linear Highbay 110 Watt, Wattage Selectable 110W 90W 70W, 5000K CCT Universal Voltage 120-277VAC
30282	LHB-2-WS-40-U	ProLED Select Linear Highbay 160 Watt, Wattage Selectable 160W 135W 110W, 4000K CCT Universal Voltage 120-277VAC
30283	LHB-2-WS-50-U	ProLED Select Linear Highbay 160 Watt, Wattage Selectable 160W 135W 110W, 5000K CCT Universal Voltage 120-277VAC
30284	LHB-3-WS-40-U	ProLED Select Linear Highbay 220 Watt, Wattage Selectable 220W 200W 180W, 4000K CCT Universal Voltage 120-277VAC
30285	LHB-3-WS-50-U	ProLED Select Linear Highbay 220 Watt, Wattage Selectable 220W 200W 180W, 5000K CCT Universal Voltage 120-277VAC
30286	LHB-4-WS-40-U	ProLED Select Linear Highbay 320 Watt, Wattage Selectable 320W 280W 240W, 4000K CCT Universal Voltage 120-277VAC
30287	LHB-4-WS-50-U	ProLED Select Linear Highbay 320 Watt, Wattage Selectable 320W 280W 240W, 5000K CCT Universal Voltage 120-277VAC

Accessories

Product SKU	Product Code	Product Description
30288	LHB-PMA	LHB Pendant Mounting Assembly for Wattage Selectable LHB
30289	LHB-SMK-1	LHB Surface Mount Kit Assembly for Wattage Selectable LHB1, LHB2, LHB4
30290	LHB-SMK-2	LHB Surface Mount Kit Assembly for Wattage Selectable LHB3
30291	LHB-MWMS	LHB Microwave Motion Control Sensor
30292	LHB-MS-RC	LHB Microwave Motion Control Sensor Remote
99986	LHB/MC	Motion Control Sensor LSXR 610 HL
99654	LHB1&2-WG	LINEAR HIGH BAY WIRE GUARD FOR LHB1 & LHB2
99655	LHB3-WG	LINEAR HIGH BAY WIRE GUARD FOR LHB3
99656	LHB4-WG	LINEAR HIGH BAY WIRE GUARD FOR LHB4

ProLED Select Linear Highbay Series

Specifications Table

	LHB1/111/850/UNV/LED2	LHB1/161/850/UNV/LED2	LHB1/221/850/UNV/LED2	LHB1/221/850/UNV/LED2
Selectable Wattage	70W-90W-110W	110W-135W-160W	180W-200W-220W	240W-280W-320W
Lumens	9,772-14,588	16,287-21,982	25,518-30,144	35,306-45,053
CCT	4000K & 5000K	4000K & 5000K	4000K & 5000K	4000K & 5000K
HID Replacement	250W MH	400W MH	600W MH	750W MH
Efficacy	250W MH	400W MH	600W MH	750W MH
Amperage	120VAC(.92A) 277VAC(.40A)	120VAC(1.33A) 277VAC(.58A)	120VAC(1.83A) 277VAC(.79A)	120VAC(2.67A) 277VAC(1.15A)
CRI	>80 CRI			
L70 Lifetime (Hrs)	>100,000Hrs at 25°C			
Voltage	Universal 120-277VAC & High Voltage 347-480VAC			
Power Factor	>.90			
Dimming	0-10VDC Dimming			
Surge Protection	6kV			
Housing	Steel Housing			
Lens	Polycarbonate Frosted Lens			
Op. Temperature	-40°C to 55°C			
Listings	cULus, DLC Premium, FCC			
Environment	UL listed for Damp Location			
Weight				
Warranty	5 Years Standard			

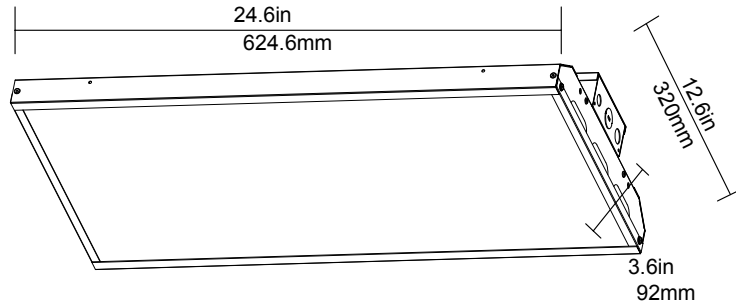
Performance Table

Model Number	Nominal Wattage	CRI	4000K		5000K	
			Lumens	Efficacy	Lumens	Efficacy
LHB-1-WS-XX-U	70	80	9730	139	9800	140
	90	80	12240	136	12330	137
	110	80	14652	133.2	14850	135
LHB-1-WS-XX-U	110	80	15290	139	15400	140
	135	80	18360	136	18495	137
	160	80	21360	133.5	21600	135
LHB-1-WS-XX-U	180	80	24840	138	25200	140
	200	80	27200	136	27600	138
	220	80	29634	134.7	29920	136
LHB-1-WS-XX-U	240	80	33120	138	33600	140
	280	80	37800	135	38360	137
	320	80	42848	133.9	43200	135

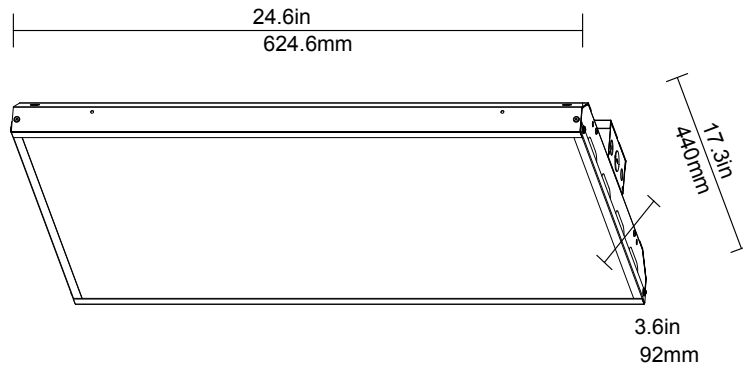
ProLED Select Linear Highbay Series

Dimensions

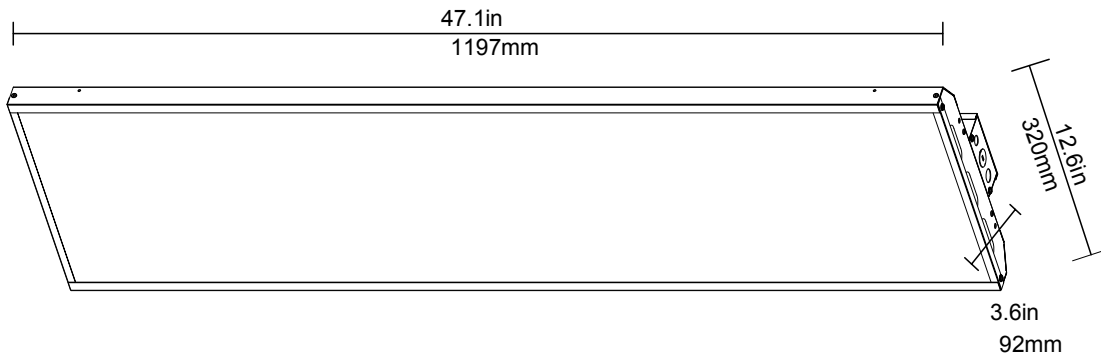
LHB1 & LHB2 Housing Dimensions



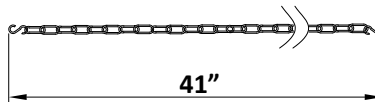
LHB3 Housing Dimensions



LHB4 Housing Dimensions



Chain

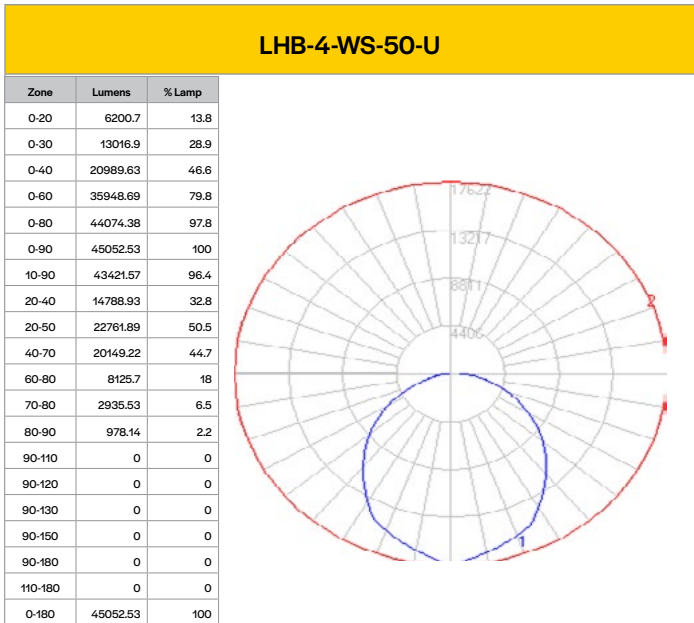
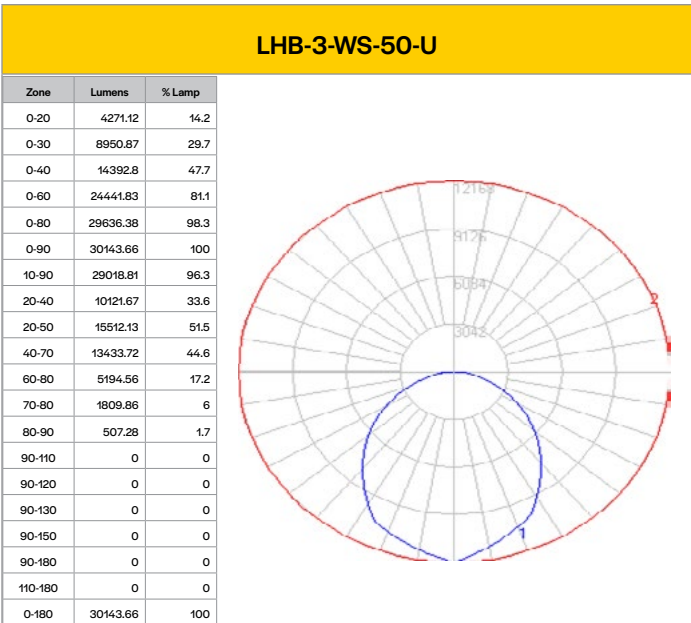
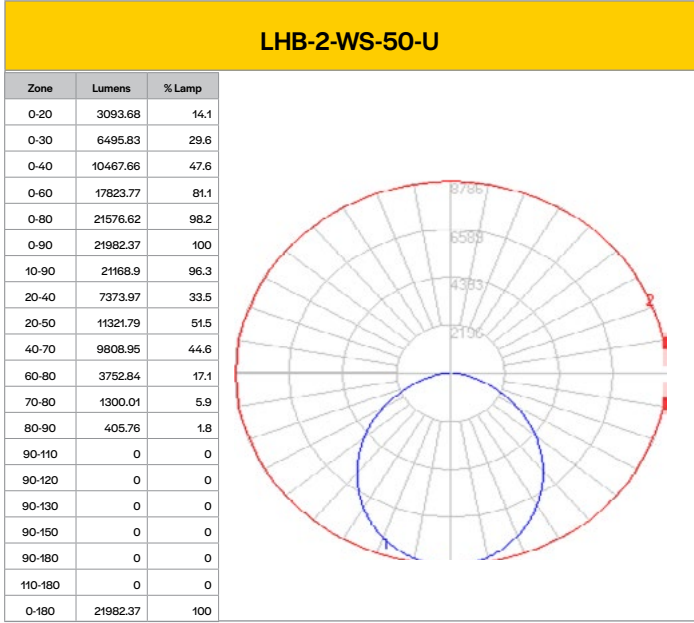
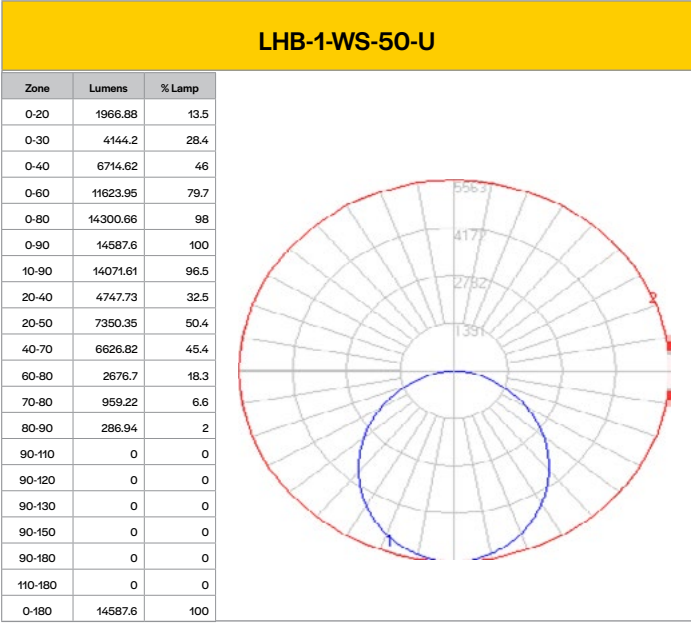


LED Luminaires

ProLED Select Linear Highbay Series

Photometrics

*The below diagrams and zonal lumen summaries represent each fixture at highest wattage selection and at 5000K. For complete photometry/IES files, please contact the factory.



ProLED Select Linear Highbay Series

Made-to-Order SKU's

	Product SKU	Product Code	Product Description
Battery Backup	22150	LHB-1-WS-40-U-EM	ProLED Select Linear Highbay 110 Watt, Wattage Selectable 110W 90W 70W, 4000K CCT Universal Voltage 120-277VAC with Emergency Battery Backup
	22151	LHB-1-WS-50-U-EM	ProLED Select Linear Highbay 110 Watt, Wattage Selectable 110W 90W 70W, 5000K CCT Universal Voltage 120-277VAC with Emergency Battery Backup
	22152	LHB-2-WS-40-U-EM	ProLED Select Linear Highbay 160 Watt, Wattage Selectable 160W 135W 110W, 4000K CCT Universal Voltage 120-277VAC with Emergency Battery Backup
	22153	LHB-2-WS-50-U-EM	ProLED Select Linear Highbay 160 Watt, Wattage Selectable 160W 135W 110W, 5000K CCT Universal Voltage 120-277VAC with Emergency Battery Backup
	22154	LHB-3-WS-40-U-EM	ProLED Select Linear Highbay 220 Watt, Wattage Selectable 220W 200W 180W, 4000K CCT Universal Voltage 120-277VAC with Emergency Battery Backup
	22155	LHB-3-WS-50-U-EM	ProLED Select Linear Highbay 220 Watt, Wattage Selectable 220W 200W 180W, 5000K CCT Universal Voltage 120-277VAC with Emergency Battery Backup
	22156	LHB-4-WS-40-U-EM	ProLED Select Linear Highbay 320 Watt, Wattage Selectable 320W 280W 240W, 4000K CCT Universal Voltage 120-277VAC with Emergency Battery Backup
	22157	LHB-4-WS-50-U-EM	ProLED Select Linear Highbay 320 Watt, Wattage Selectable 320W 280W 240W, 5000K CCT Universal Voltage 120-277VAC with Emergency Battery Backup
LVMS	22158	LHB-1-WS-40-U-LVMS	ProLED Select Linear Highbay 110 Watt, Wattage Selectable 110W 90W 70W 4000K CCT Universal Voltage 120-277VAC with Low Voltage PIR Motion Sensing
	22159	LHB-1-WS-50-U-LVMS	ProLED Select Linear Highbay 110 Watt, Wattage Selectable 110W 90W 70W 5000K CCT Universal Voltage 120-277VAC with Low Voltage PIR Motion Sensing
	22160	LHB-2-WS-40-U-LVMS	ProLED Select Linear Highbay 160 Watt, Wattage Selectable 160W 135W 110 4000K CCT Universal Voltage 120-277VAC with Low Voltage PIR Motion Sensing
	22161	LHB-2-WS-50-U-LVMS	ProLED Select Linear Highbay 160 Watt, Wattage Selectable 160W 135W 110W 5000K CCT Universal Voltage 120-277VAC with Low Voltage PIR Motion Sensing
	22162	LHB-3-WS-40-U-LVMS	ProLED Select Linear Highbay 220 Watt, Wattage Selectable 220W 200W 180W 4000K CCT Universal Voltage 120-277VAC with Low Voltage PIR Motion Sensing
	22163	LHB-3-WS-50-U-LVMS	ProLED Select Linear Highbay 220 Watt, Wattage Selectable 220W 200W 180W 5000K CCT Universal Voltage 120-277VAC with Low Voltage PIR Motion Sensing
	22164	LHB-4-WS-40-U-LVMS	ProLED Select Linear Highbay 320 Watt, Wattage Selectable 320W 280W 240W 4000K CCT Universal Voltage 120-277VAC with Low Voltage PIR Motion Sensing
	22165	LHB-4-WS-50-U-LVMS	ProLED Select Linear Highbay 320 Watt, Wattage Selectable 320W 280W 240W 5000K CCT Universal Voltage 120-277VAC with Low Voltage PIR Motion Sensing

ProLED Select Linear Highbay Series

Made-to-Order SKU's

	Product SKU	Product Code	Product Description
PIRMS	22166	LHB-1-WS-40-U-PIRMS	ProLED Select Linear Highbay 110 Watt, Wattage Selectable 110W 90W 70W 4000K CCT Universal Voltage 120-277VAC with PIR Motion Sensing
	22167	LHB-1-WS-50-U-PIRMS	ProLED Select Linear Highbay 110 Watt, Wattage Selectable 110W 90W 70W 5000K CCT Universal Voltage 120-277VAC with PIR Motion Sensing
	22168	LHB-2-WS-40-U-PIRMS	ProLED Select Linear Highbay 160 Watt, Wattage Selectable 160W 135W 110W 4000K CCT Universal Voltage 120-277VAC with PIR Motion Sensing
	22169	LHB-2-WS-50-U-PIRMS	ProLED Select Linear Highbay 160 Watt, Wattage Selectable 160W 135W 110W 5000K CCT Universal Voltage 120-277VAC with PIR Motion Sensing
	22170	LHB-3-WS-40-U-PIRMS	ProLED Select Linear Highbay 220 Watt, Wattage Selectable 220W 200W 180W 4000K CCT Universal Voltage 120-277VAC with PIR Motion Sensing
	22171	LHB-3-WS-50-U-PIRMS	ProLED Select Linear Highbay 220 Watt, Wattage Selectable 220W 200W 180W 5000K CCT Universal Voltage 120-277VAC with PIR Motion Sensing
	22172	LHB-4-WS-40-U-PIRMS	ProLED Select Linear Highbay 320 Watt, Wattage Selectable 320W 280W 240W 4000K CCT Universal Voltage 120-277VAC with PIR Motion Sensing
	22173	LHB-4-WS-50-U-PIRMS	ProLED Select Linear Highbay 320 Watt, Wattage Selectable 320W 280W 240W 5000K CCT Universal Voltage 120-277VAC with PIR Motion Sensing
LVMS & Battery Backup	22174	LHB-1-WS-40-U-EM-LVMS	ProLED Select Linear Highbay 110 Watt, Wattage Selectable 110W 90W 70W 4000K CCT Universal Voltage 120-277VAC with Emergency Battery Backup and Low Voltage RF Motion Sensing
	22175	LHB-1-WS-50-U-EM-LVMS	ProLED Select Linear Highbay 110 Watt, Wattage Selectable 110W 90W 70W 5000K CCT Universal Voltage 120-277VAC with Emergency Battery Backup and Low Voltage RF Motion Sensing
	22176	LHB-2-WS-40-U-EM-LVMS	ProLED Select Linear Highbay 160 Watt, Wattage Selectable 160W 135W 110W 4000K CCT Universal Voltage 120-277VAC with Emergency Battery Backup and Low Voltage RF Motion Sensing
	22177	LHB-2-WS-50-U-EM-LVMS	ProLED Select Linear Highbay 160 Watt, Wattage Selectable 160W 135W 110W 5000K CCT Universal Voltage 120-277VAC with Emergency Battery Backup and Low Voltage RF Motion Sensing
	22178	LHB-3-WS-40-U-EM-LVMS	ProLED Select Linear Highbay 220 Watt, Wattage Selectable 220W 200W 180W 4000K CCT Universal Voltage 120-277VAC with Emergency Battery Backup and Low Voltage RF Motion Sensing
	22179	LHB-3-WS-50-U-EM-LVMS	ProLED Select Linear Highbay 220 Watt, Wattage Selectable 220W 200W 180W 5000K CCT Universal Voltage 120-277VAC with Emergency Battery Backup and Low Voltage RF Motion Sensing
	22180	LHB-4-WS-40-U-EM-LVMS	ProLED Select Linear Highbay 320 Watt, Wattage Selectable 320W 280W 240W 4000K CCT Universal Voltage 120-277VAC with Emergency Battery Backup and Low Voltage RF Motion Sensing
	22181	LHB-4-WS-50-U-EM-LVMS	ProLED Select Linear Highbay 320 Watt, Wattage Selectable 320W 280W 240W 5000K CCT Universal Voltage 120-277VAC with Emergency Battery Backup and Low Voltage RF Motion Sensing

ProLED Select Linear Highbay Series

Made-to-Order SKU's

	Product SKU	Product Code	Product Description
PIRMS & Battery Backup	22182	LHB-1-WS-40-U-EM-PIRMS	ProLED Select Linear Highbay 110 Watt, Wattage Selectable 110W 90W 70W 4000K CCT Universal Voltage 120-277VAC with Emergency Battery Backup and PIR Motion Sensing
	22183	LHB-1-WS-50-U-EM-PIRMS	ProLED Select Linear Highbay 110 Watt, Wattage Selectable 110W 90W 70W 5000K CCT Universal Voltage 120-277VAC with Emergency Battery Backup and PIR Motion Sensing
	22184	LHB-2-WS-40-U-EM-PIRMS	ProLED Select Linear Highbay 160 Watt, Wattage Selectable 160W 135W 110W 4000K CCT Universal Voltage 120-277VAC with Emergency Battery Backup and PIR Motion Sensing
	22185	LHB-2-WS-50-U-EM-PIRMS	ProLED Select Linear Highbay 160 Watt, Wattage Selectable 160W 135W 110W 5000K CCT Universal Voltage 120-277VAC with Emergency Battery Backup and PIR Motion Sensing
	22186	LHB-3-WS-40-U-EM-PIRMS	ProLED Select Linear Highbay 220 Watt, Wattage Selectable 220W 200W 180W 4000K CCT Universal Voltage 120-277VAC with Emergency Battery Backup and PIR Motion Sensing
	22187	LHB-3-WS-50-U-EM-PIRMS	ProLED Select Linear Highbay 220 Watt, Wattage Selectable 220W 200W 180W 5000K CCT Universal Voltage 120-277VAC with Emergency Battery Backup and PIR Motion Sensing
	22188	LHB-4-WS-40-U-EM-PIRMS	ProLED Select Linear Highbay 320 Watt, Wattage Selectable 320W 280W 240W 4000K CCT Universal Voltage 120-277VAC with Emergency Battery Backup and PIR Motion Sensing
	22189	LHB-4-WS-50-U-EM-PIRMS	ProLED Select Linear Highbay 320 Watt, Wattage Selectable 320W 280W 240W 5000K CCT Universal Voltage 120-277VAC with Emergency Battery Backup and PIR Motion Sensing