

**DESCRIPTION**

The BCY Series is a 4" diameter cylinder luminaire with a durable aluminum housing and glass lenses. Featuring a sleek design, this luminaire is perfect for indoor and outdoor usage on any residential or commercial building. The BCY Series includes an internal switch that allows the installer to choose down light, up light or up/down light. Available in 3000K, 4000K and 5000K color temperatures, this attractive luminaire can create the perfect ambiance for any architectural building. The BCY Series is Energy Star Qualified and is ideal for indoor/outdoor locations including schools, commercial buildings, medical complexes and residential applications.

**SPECIFICATIONS**

**Construction:**

- 4" Diameter cylinder, aluminum housing with bronze power coated finish
- Glass lenses and aluminum reflector on both ends
- Switch in the back for up, down or up and down light selection

**Optics/LEDs:**

- Available in 3000K, 4000K and 5000K CCT
- 30W System provides up to 2509 lumens
- Up/down lighting will provide up to 1200 lumens from each side
- 45° Beam angle up/down
- CRI ≥80
- L70 >100,000 hours

**Electrical:**

- 120VAC, 50/60Hz input
- Internal switch allows the installer to choose up light, down light or up/down light

**Installation:**

- Mounts to a standard 3-1/2" or 4" square electrical J-box
- Housing mounts to backplate for ease of installation
- Switch providing up light, down light or up/down light control is located behind the backplate

**Testing & Compliance:**

- cETLus Listed for Wet Locations
- Operating temperatures: -20°C to 40°C (-40°F to 104°F)
- Energy Star Qualified

**Warranty:**

- Five Year Warranty (Terms and Conditions Apply)

Model: \_\_\_\_\_ Date: \_\_\_\_\_  
 Accessories: \_\_\_\_\_  
 Job Name: \_\_\_\_\_ Type: \_\_\_\_\_



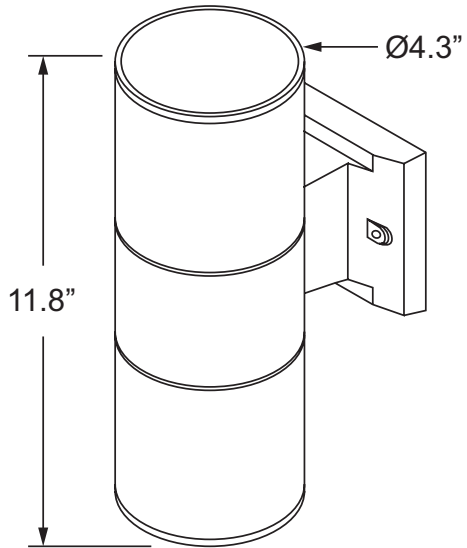
Specs at a Glance			
<b>Model</b>	BCY-30		
<b>CCT (K)</b>	3000K	4000K	5000K
<b>Lumens (lm)</b>	2446	2467	2509
<b>Wattage (Nominal)</b>	30W (System Total)		
<b>Efficacy (LPW)</b>	82LPW		
<b>CRI</b>	>80		
<b>Input Voltage</b>	120VAC, 50-60Hz		
<b>Operating Temp</b>	-20°C to 40°C (-4°F to 104°F)		
<b>Certifications</b>	cETLus Listed for Wet Locations, Energy Star Qualified		
<b>Warranty</b>	5 Years		
<b>Weight</b>	2.7lbs		

**Note:** Environment and application will affect actual performance. Typical values and 25°C used for testing.

**Ordering Information** (Example: BCY-30-4K-V1)

Series	Wattage	CCT	Voltage
BCY	30 = 30W	3K = 3000K 4K = 4000K 5K = 5000K	V1 = 120VAC

Dimensions



Sample Photometry

**BCY-30-5K-V1**

IES: TYPE VS Very Short

MOUNTING HEIGHT: 10'

TILT: ZERO

