

Electronic Metal Halide Systems

QUICKTRONIC® MH

Professional Series

Lamp/Ballast Guide

QTP 1x20MH/UNV
QTP 2x20MH/UNV
QTP 1x20MH/SQ UNV
QT 1x20MH/SLIM 120V
M156; C156

QTP 1x39MH/UNV
QTP 2x39MH/UNV
QTP 1x39MH/SQ UNV
QT 1x39MH/SLIM 120V
M130; C130

QTP 1x70MH/UNV
QT 1x70MH/SQ 120V
QT 1x70MH/SLIM 120V
M139/M98; C139/C98

QTP 1x100MH/UNV
M90/M140; C90/C140

QT 1x150MH/UNV
M102/M142; C102/C142

Key System Features

- Constant power regulation
- Universal input voltage
- High power factor
- Low harmonic distortion
- Small size and lightweight
- 80°C case temperature
- UL, FCC
- QUICK 60+® warranty

Application Information

SYLVANIA QUICKTRONIC MH

is ideally suited for:

- Track lighting
- Downlighting
- Landscape lighting
- Retail
- Hospitality
- Institutional
- Commercial

SYLVANIA QUICKTRONIC MH

HID ballasts feature a state of the art electronic design to deliver performance levels unattainable with standard magnetic lighting systems.

Small and efficient, QUICKTRONIC MH operates silently and provides energy savings up to 15% compared to magnetic ballasts.

New smaller sizes allow for more flexible fixture designs and applications while maintaining the features and system advantages of the standard size ballast. **The Mini Slim and Mini Square are 50% smaller than the standard sized can.**

Installation is simplified by our single-piece ballasts that incorporate the ballast, capacitor, ignitor and mounting brackets of conventional systems. Two light-weight mounting styles allow for easy assembly in any fixture application.

System Information

SYLVANIA QUICKTRONIC MH ballasts and SYLVANIA METALARC® POWERBALL® CERAMIC lamps are perfectly matched to provide optimal system performance.

Our electronically controlled system delivers several advantages over conventional components, including improved lumen maintenance and extended photometric life.

The superior power regulation design produces consistently brilliant light output and color throughout the life of the lamp. This circuitry also provides constant light output during periods of fluctuating supply voltage.

Sensing technology shuts down lamp power when an inoperative or malfunctioning lamp is present.



Setting the standard for quality, QUICKTRONIC MH is also covered by our QUICK 60+® warranty, the first and most comprehensive system warranty in the industry.



Enclosure Styles

F = Feet Mount for track light fixtures

(All leads exit side of ballast, as shown on next page.)

J = J-Box Mount with PEM studs for recessed downlight fixtures

(All leads exit middle/bottom of ballast, as shown on next page.)

Electronic Metal Halide Systems

QUICKTRONIC[®] MH

Item Number	OSRAM SYLVANIA Description	Input Voltage (VAC)	Input Current (AMPS)	Lamp Type	Rated Lumens (lm)	No. of Lamps	Ballast Factor (BF)	System Lumens	Input Wattage (W)	System Efficacy (lm/W)
51908	QTP1x20MH/UNV-F	120-277	0.21/0.085	20W T4.5	1700	1	1.0	1700	23	74
51909	QTP1x20MH/UNV-J	120-277	0.21/0.085	20W T4.5	1700	1	1.0	1700	23	74
51968	QTP2X20MH UNV F	120-277	0.38/0.16	20W T4.5	1700	2	1.0	3400	46	74
51969	QTP2X20MH UNV J	120-277	0.38/0.16	20W T4.5	1700	2	1.0	3400	46	74
51910	QTP1x39MH/UNV-F	120-277	0.39/0.17	39W T6	3400	1	1.0	3400	44	77
51911	QTP1x39MH/UNV-J	120-277	0.39/0.17	39W T6	3400	1	1.0	3400	44	77
51970	QTP2X39MH UNV F	120-277	0.75/0.33	39W T6	3400	2	1.0	6800	89	76
51971	QTP2X39MH UNV J	120-277	0.75/0.33	39W T6	3400	2	1.0	6800	89	76
51912	QTP1x70MH/UNV-F	120-277	0.67/0.29	70W T6	6700	1	1.0	6700	79	85
51913	QTP1x70MH/UNV-J	120-277	0.67/0.29	70W T6	6700	1	1.0	6700	79	85
51914	QTP1x100MH/UNV-F	120-277	0.96/0.41	100W E17	9000	1	1.0	9000	110	82
51915	QTP1x100MH/UNV-J	120-277	0.96/0.41	100W E17	9000	1	1.0	9000	110	82

Performance Guide

Ballast shall be a metal halide SYLVANIA QUICKTRONIC MH electronic ballast with universal input voltage.

Specifications^{1,2}

Input Voltage: 108-305V
Input Frequency: 50/60 Hz
Lamp Frequency: 165Hz Square Wave
Power Factor: >98%
Low THD: <10%
Starting Temp: -22°F/-30°C min.

UL Listed, Type 1, Outdoor
 Suitable for recessed use
 80°C Max. Case Temperature,
 Thermally Protected
 FCC 47CFR Part 18 Non-Consumer
 Sound Rated A
 ANSI C62.41 Cat. A Transient Protection
 Remote mounting capability²
 Lamp current crest factor < 1.2

Installation Notes

Use minimum 4kV pulse rated lamp holder.
 Use minimum 4kV pulse rated or UL style 3561 wire for lamp connections.
 Red lead must be connected to center terminal of lamp. Do not connect any lamp lead to neutral or ground.

System Life / Warranty

QUICKTRONIC products are covered by our QUICK 60+ warranty, a comprehensive lamp and ballast system warranty. For additional details, refer to our QUICK 60+ warranty bulletin.

Max. Case Temp.	Warranty Period
<75°C	5 years
<80°C	3 years

Ordering Guide

Specifications subject to change without notice.

F Mount

J Mount

Green

Blue

Blue/White
Red/White
Black

Wiring:

Lead Wires: 10"

Packaging:

Quantity: 10 pieces per carton
 Weight: 6 lbs. per carton
 (0.6 lbs each)

¹ See the SYLVANIA QUICKTRONIC Electronic Ballast Technology & Specification Guide (ECS-ELECTRONIC) for additional information.

² Typically 6 ft but varies by application, remote capability up to 15 ft. Contact OSRAM SYLVANIA for details.

Item Number _____ **51910 QTP 1** x **39** **MH / UNV F** _____ Case Type (Mounting Style)
 QUICKTRONIC PROFESSIONAL _____ Line Voltage (120-277)
 Number of Lamps (1) _____ Metal Halide
 _____ Primary Lamp Wattage

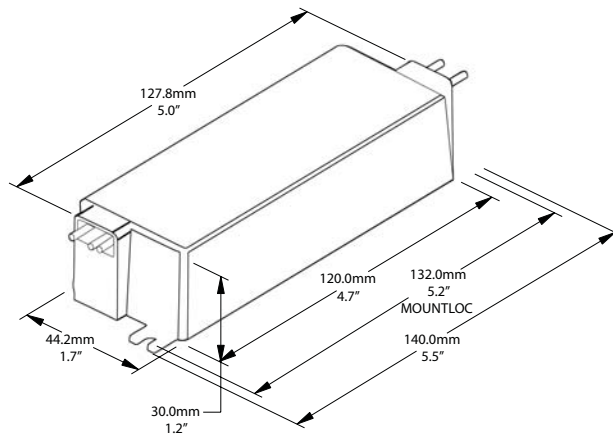


Electronic Metal Halide Systems

Performance Guide

Ballast shall be a metal halide SYLVANIA QUICKTRONIC[®] MH electronic ballast with universal input voltage.

Item Number	OSRAM SYLVANIA Description	Input Voltage (VAC)	Input Current (AMPS)	Lamp Type	Rated Lumens (lm)	No. of Lamps	Ballast Factor (BF)	System Lumens	Input Wattage (W)	System Efficacy (lm/W)
51958	QT1x20MH 120V SLIM	120	0.20	20W T4.5	1700	1	1.0	1700	23	74
51959	QTP1x20MH UNV SQ	120-277	0.19/0.09	20W T4.5	1700	1	1.0	1700	23	74
51960	QT1x39MH 120V SLIM	120	0.38	39W T6	3400	1	1.0	3400	44	77
51961	QTP1x39MH UNV SQ	120-277	0.38/0.17	39W T6	3400	1	1.0	3400	44	77
51962	QT1x70MH 120V SLIM	120	0.64	70W T6	7000	1	1.0	7000	79	85
51963	QT1x70MH 120V SQ	120	0.64	70W T6	7000	1	1.0	7000	79	85



Wiring:

Lead Wires: 10"

Packaging:

Quantity: 40 pieces per carton
Weight: 36 lbs. per carton
(0.9 lbs each)

Wiring Diagrams



System Life / Warranty

QUICKTRONIC products are covered by our QUICK 60+ warranty, a comprehensive lamp and ballast system warranty. For additional details, refer to our QUICK 60+ warranty bulletin.

Max. Case Temp.	Warranty Period
70W: <90°C	3 years
<80°C	5 years
20 & 39W: <85°C	3 years
<75°C	5 years

¹ See the SYLVANIA QUICKTRONIC Electronic Ballast Technology & Specification Guide (ECS-ELECTRONIC) for additional information.

² Typically 6 ft but varies by application, remote capability up to 15 ft. Contact OSRAM SYLVANIA for details.

Item Number ————— **51961 QTP 1** x **39** **MH / UNV SQ** ————— Case Type
 QUICKTRONIC PROFESSIONAL ————— Line Voltage (120-277)
 Number of Lamps (1) ————— Metal Halide
 Primary Lamp Wattage

Ordering Guide

Specifications subject to change without notice.



QUICKTRONIC[®] MH

Item Number	OSRAM SYLVANIA Description	Input Voltage (VAC)	Input Current (AMPS)	Lamp Type	Rated Lumens (lm)	No. of Lamps	Ballast Factor (BF)	System Lumens	Input Wattage (W)	System Efficacy (lm/W)
51930	QT1x150MH/UNV F	120-277	1.40/0.60	150W T7.5	15500	1	1.0	15500	167	93
51931	QT1x150MH/UNV J	120-277	1.40/0.60	150W T7.5	15500	1	1.0	15500	167	93

Performance Guide

Ballast shall be a metal halide SYLVANIA QUICKTRONIC MH electronic ballast with universal input voltage.

Specifications^{1,2}

Input Voltage: 108-305V
Input Frequency: 50/60 Hz
Lamp Frequency: 170Hz Square Wave
Power Factor: >98%
Low THD: <15%
Starting Temp: -22°F/-30°C min.

UL Listed, Type 1, Outdoor Suitable for recessed use 75°C Max. Case Temperature, Thermally Protected FCC 47CFR Part 18 Non-Consumer Sound Rated A ANSI C62.41 Cat. A Transient Protection Remote mounting capability² Lamp current crest factor < 1.4

Installation Notes

Use minimum 4kV pulse rated lamp holder.
 Use minimum 4kV pulse rated or UL style 3561 wire for lamp connections.
 Red lead must be connected to center terminal of lamp. Do not connect any lamp lead to neutral or ground.

System Life / Warranty

QUICKTRONIC products are covered by our QUICK 60+ warranty, a comprehensive lamp and ballast system warranty. For additional details, refer to our QUICK 60+ warranty bulletin.

Max. Case Temp.	Warranty Period
<70°C	5 years
<75°C	3 years

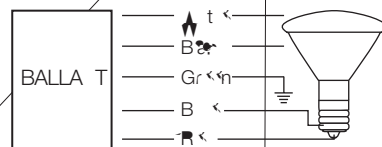
Ordering Guide

Specifications subject to change without notice.

Wiring:
Lead Wires: 10"

Packaging:
Quantity: 20 pieces per carton
Weight: 45.5 lbs. per carton (2.275 lbs each)

Wiring Diagrams



¹ See the SYLVANIA QUICKTRONIC Electronic Ballast Technology & Specification Guide (ECS-ELECTRONIC) for additional information.
² Typically 6 ft but varies by application, remote capability up to 15 ft. Contact OSRAM SYLVANIA for details.

Item Number	51930	QT	1	x	150	MH / UNV	F	Case Type (Mounting Style)
QUICKTRONIC								Line Voltage (120-277)
Number of Lamps (1)								Metal Halide
								Primary Lamp Wattage

All registered trademarks property of OSRAM SYLVANIA. SYLVANIA is a registered trademark of OSRAM SYLVANIA. QUICKTRONIC is a registered trademark of OSRAM GmbH.