



# LD3S

## 3" Square Regressed LED 15W

Project: \_\_\_\_\_

Location: \_\_\_\_\_

Model: \_\_\_\_\_ Beam: \_\_\_\_\_ Qty: \_\_\_\_\_

Notes: \_\_\_\_\_

### DESCRIPTION

3" Square Regressed LED With Integral Driver In Connection Box

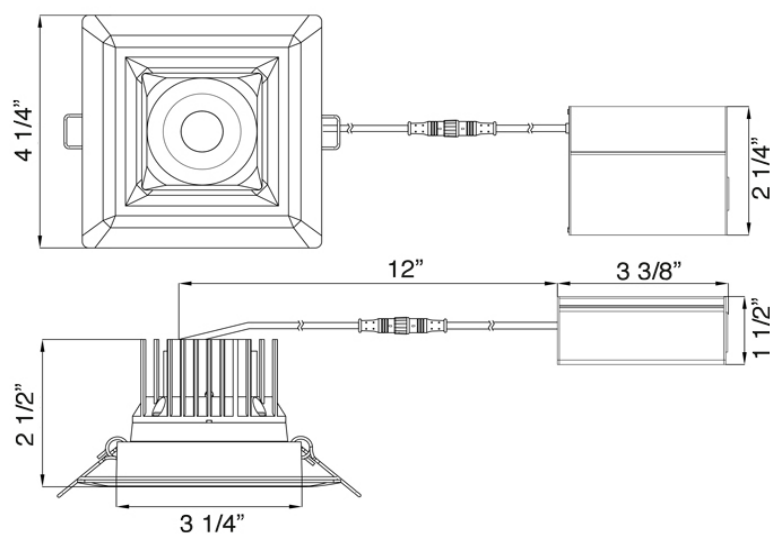
### FEATURES & BENEFITS

- 3/4" Regressed & 38° Degree Directional Beam for Reduced Glare
- 2 1/2" Deep - Install Where Ceiling Space Is Limited
- Type IC Rated - No Housing Required
- Air-Tight & Wet Location rated
- 5CCT** user selectable 2700-3000-3500-4000-5000K or **Dim to Warm** 3000K to 1800K options
- CRI 90+ for True Color Rendering
- Options of 4 beam angles: standard **38°** and custom **15°, 24° & 60°**
- Driver Inside Connection Box - No Junction Box Needed

### MOUNTING

- Cut Hole In Ceiling And Snap Fixture In Opening
- With Attached Spring Clips
- Ceiling Clearance Required for driver to fit: 3 1/2"

DIMENSIONS: ID 3 1/4" OD 4 1/4" Depth 2 1/2" Cut Out 3 1/2"



### ORDERING GUIDE

- LD3S-5CCT-WH** [5CCT White Trim](#)
- LD3S-3018K-WH** [Dim to Warm White Trim](#)
- LD3S-5CCT-BK** [5CCT Black Trim](#)
- LD3S-3018K-BK** [Dim to Warm Black Trim](#)



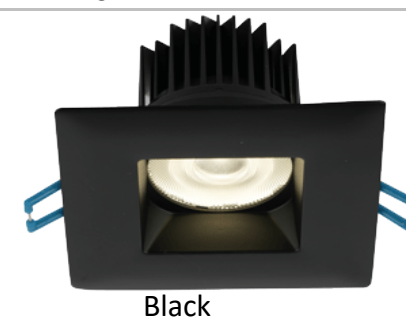
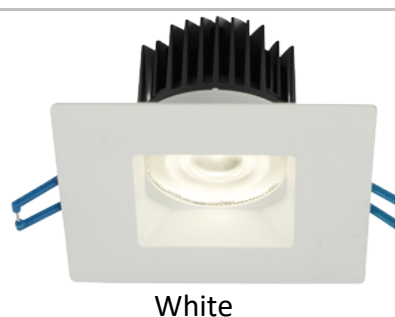
Standard Beam Angle: **38°**

Custom Beam Angles - order as adder:

- 15D Lens LD3R LD3S LL3R** 15°
- 24D Lens LD3R LD3S LL3R** 24°
- 60D Lens LD3R LD3S LL3R** 60°

SPECIFICATION	
Applications	Commercial, Residential, Retail, Hospitality
Power	15 W
Color Temperature (K)	2700   3000   3500   4000   5000   DTW 3000-1800K
Light Output (lm)	1230   1290   1350   1410   1450   1300
Halogen Equivalent	120 W
Beam Angle	standard 38°   custom 15°, 24°, 60°
CRI	90 +
Default Driver Input	120V AC Triac Dimmable
Optional Driver Input	120V-347V AC 0-10V Dimmable
Junction Box Wire Capacity	Max 5 No 12 AWG or 8 No 14 AWG
Power Factor	0.95
Approved Location	Insulated Ceiling & Wet Locations
IP Rating	IP 54
Air Tight	Yes
Ambient Temperature	-40°F (-40°C) to +104°F (+40°C)
Projected Life	70% Light Output at 50,000 Hours
Certification	cULus
Warranty	10 Year Residential / 5 Year Commercial

### AVAILABLE TRIMS



120V TRIAC Dimmable  
Driver Included

Optional 120V-347V  
Driver 0-10V Dimmable  
Order Separately as  
[model # LLL-LD1535T3](#)



### ACCESSORIES

Sold Separately



Low Voltage Extension Cables. Max 40 ft Allowed  
[6ft - model # EXC6](#)  
[20ft - model # EXC20](#)



[Flat Rough-In Plates - model # RIP312](#)



[Flanged Plate with Hanger Bars model # FRP312](#)

### COMPLIANCE



Type IC & Air-Tight  
Wet Location

<p><b>Lotus LED Lights USA</b> 250 H Street # 301, Blaine WA 98230 tel 360-200-5500 Hainesport NJ, Naples FL, Vancouver WA</p>	<p><a href="http://www.LotusLEDLights.com">www.LotusLEDLights.com</a> mailing addresses warehouses</p>	<p><b>Lotus LED Lights CANADA</b> 1080 Cliveden Ave # 6, Delta BC V3M 6J6 tel 604-538-3090 Delta BC &amp; Mississauga ON</p>
--	--	--