



LBL-JB10W-5CCT

5" Ultimate J-Box Mount LED 10W 5CCT



Project: _____

Location: _____

Model: _____ Qty: _____

Notes: _____

DESCRIPTION

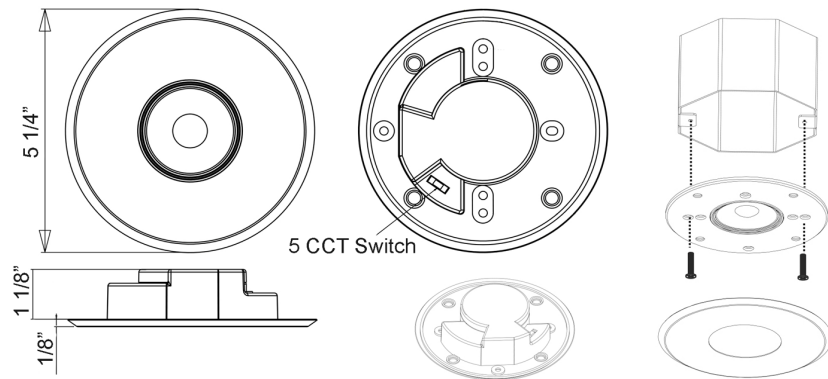
5" Ultimate Junction Box Mount LED 5CCT
Interchangeable Magnetic Trims

FEATURES & BENEFITS

- Round & Square, White & Black trims
- Fits in 4" octagon plastic junction boxes 2 1/8" deep
- Up to 740 lm with CRI 90+ for True Color Rendering
- 5CCT user selectable - 2700, 3000, 3500, 4000, 5000K
- 60° or 38° directional light beam for reduced glare
- Fire rated when used with a fire rated junction box
- Wet Location certified - could be installed in soffits
- Regressed look - only 1/8" visible thin trim
- Triac Dimmable down to 5%
- Patent Pending design

SPECIFICATION	
Applications	Multi Family & Residential Applications
Energy Used	10 W
Color Temperature (K)	5CCT: 2700K - 3000K - 3500K - 4000K - 5000K
Light Output (lm)	600 - 650 - 715 - 740 - 730
Halogen Equivalent	75 W
Beam Angle	60° (standard), 38° (optional)
CRI	90 +
Input	120V AC 50/60 Hz
Dimming	TRIAC Dimmers 5% - 100%
Approved Location	Wet Locations
Ambient Temperature	-4°F (-20°C) to +104°F (+40°C)
Projected Life	70% Light Output at 50,000 Hours
Certification	cETLus, Energy Star
Warranty	5 Year

DIMENSIONS: OD 5 1/4" ; Depth 1 1/8" ; Visible Trim Thickness 1/8"



Available Trims



Round White



Round Black



Square White



Square Black

ORDERING GUIDE

	Beam	Trim
LBL-JB10W-5CCT-R-WH	leave blank for 60°	Round White
LBL-JB10W-5CCT-R-BK	-38D for 38° beam	Round Black
LBL-JB10W-5CCT-SQ-WH		Square White
LBL-JB10W-5CCT-SQ-BK		Square Black

COMPLIANCE



Patent Pending



Lotus LED Lights USA

250 H Street # 301, Blaine WA 98230 tel 360-200-5500
Hainesport NJ, Naples FL, Vancouver WA

www.LotusLEDLights.com

mailing addresses
warehouses

Lotus LED Lights CANADA

1080 Cliveden Ave # 6, Delta BC V3M 6J6 tel 604-538-3090
Delta BC & Mississauga ON