



Project: _____

Location: _____

Qty: _____

Notes: _____

DESCRIPTION

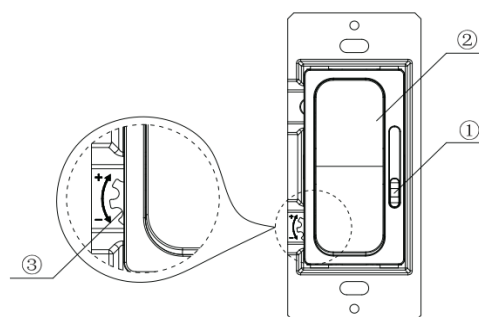
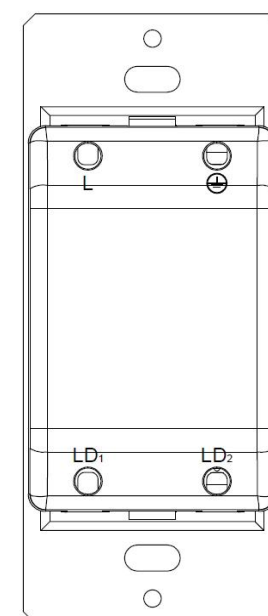
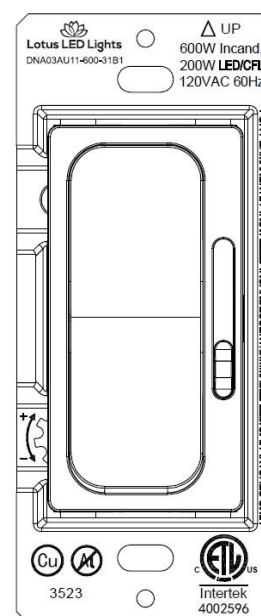
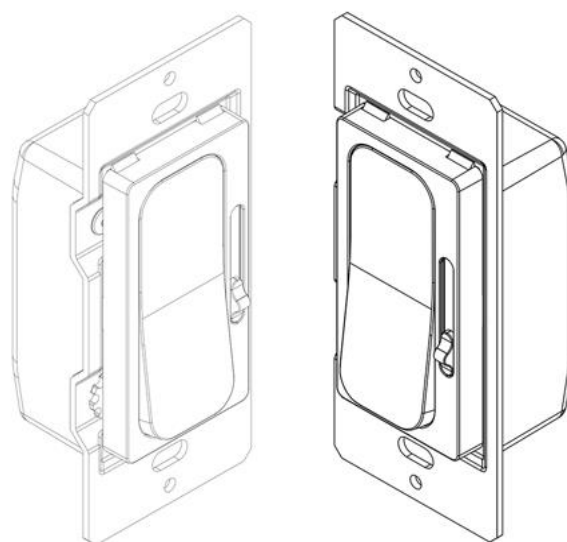
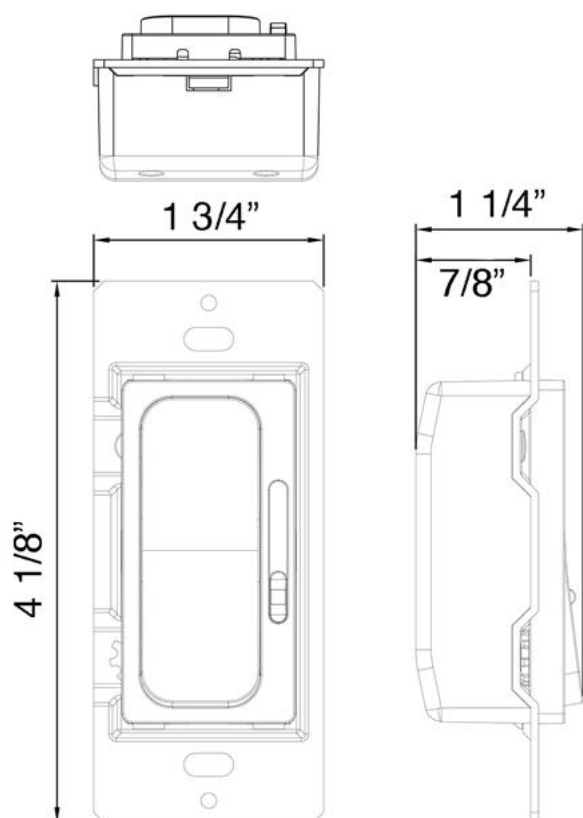
Slide dimmer for controlling LED, CFL and incandescent light fixtures

FEATURES & BENEFITS

- Rocker Switch & Lever Slider for easy operation
- Adjustment Dial for setting the minimum brightness
- No Neutral wire needed
- Single Pole or 3-Way Wiring
- Fits in multi gang boxes without need to break tabs

| SPECIFICATION | |
|------------------------|----------------------------------|
| Input Voltage | 120V 60Hz |
| Approved Location | Indoor / dry locations |
| Minimum / Maximum Load | LED / CFL 3W - 200W |
| | Incandescent 15W - 600W |
| Wiring Mode | Single Pole or 3-Way |
| Neutral Wire Needed | No |
| Dimming Mode | Forward Phase Cut (Leading Edge) |
| Operating Temperature | 0°C to + 40°C (32°F to 104°F) |
| Operating Humidity | 10% - 90% RH |
| Certifications | c ETL us |
| Warranty | 3 Year |

DIMENSIONS



1 Control Lever Slider

- Move the lever slider up to increase the brightness and move down to decrease the brightness.

2 Rocker Switch

- To turn the power ON / OFF by pressing the rocker switch located in the center of the dimmer.

3 Adjustment Dial

- Turn the adjustment dial clockwise to increase the minimum brightness and turn the counter-clockwise to decrease the minimum brightness.

[CLICK HERE FOR INSTALLATION INSTRUCTIONS](#)

ORDERING GUIDE model **DNA03AU11-600-31**

Decora wall plate not included

In stock White Gloss finish

Other finishes available by custom order

CERTIFICATION

