

**Project:**

---

**Type:**                      **Prepared By:**                      **Date:**

---

**Notes:**

**SPECIFICATIONS**

**CONSTRUCTION:** Decorative white flange in durable airtight aluminum body, under 1/2" thick. Steel driver junction box with snap cover rated for Type IC applications. Quick connect terminals for fast wiring.

**OPTICS:** Frosted etched white polycarbonate diffuser with 120° spread.

**ELECTRICAL:** Long life LED, rated for 50,000 hours with high efficiency triac dimming driver, 120V, 50/60Hz operation. Dimming can be accomplished with a LED compatible wall dimmer (Lutron C-L or equal). Total consumption 9 watts.

**LED MODULE:** LED array. 9 watts/550 lumens. 90CRI. Field selectable color temperature of 2700°K, 3000°K, 3500°K, 4000°K and 5000°K.

**MOUNTING:** Easy recess installation with the integral heavy duty springs. Includes 15" cable from driver to fixture. Pre-mounting plate and longer cord length available, see OPTIONS.

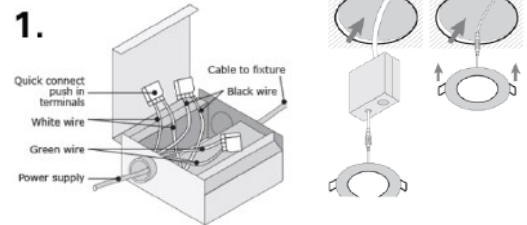
**FINISH:** White.

**CERTIFICATION:** The MINI-PANELUME<sup>®</sup> Series MRP-4RD luminaire is ETL listed for damp location. ADA compliant when mounted in the wall.



**WARRANTY:** Five (5) year warranty.

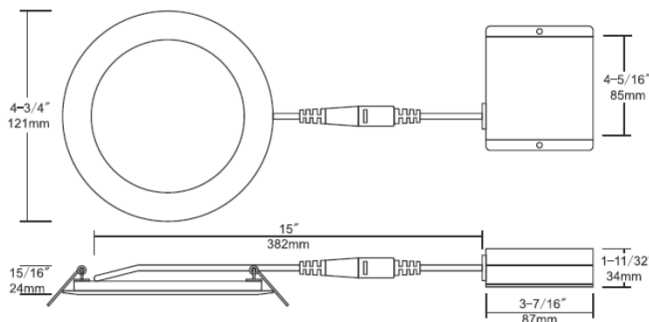


**EASY INSTALLATION**




**Accessories**

-  **FLEX-10**  
10" Flexible connector, for use with Slim LED fixtures.
-  **MP4**  
4-1/4" Round pre-mounting plate for Slim LED round fixtures.



**ORDERING INFORMATION**

Example: MRP-4RD-LL1-CCT-ACW-120V-WH

MRP	4RD	LL1	CCT	ACW	120V	WH	
<b>SERIES</b>	<b>MODEL</b>	<b>LUMEN LEVEL</b>	<b>COLOR TEMPERATURE</b>	<b>SHIELDING MEDIA</b>	<b>VOLTAGE</b>	<b>TRIM FINISH</b>	<b>OPTIONS</b>
MRP	4RD 4" diameter round	LL1 Normal	CCT Field adjustable color temperature: 2700°K, 3000°K, 3500°K, 4000°K and 5000°K	ACW Acrylic white lens	120V 120V	WH White	FLEX-10 10" flexible connector MP4 4 1/4" round pre-mounted plate with adjustable mounting bars T Tandem ARA Buy America Compliant 



(Consult factory for other options or special requests)

2021-11-04-MRP-4RD-LED

LEGION<sup>®</sup> and PANELUME<sup>®</sup> are registered Trademarks of LEGION LIGHTING CO., INC.