



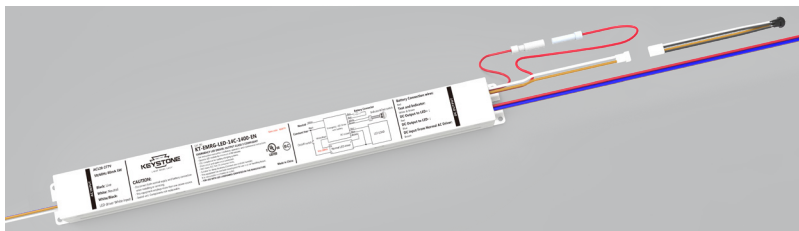
KT-EMRG-LED-14C-1400-EN

CONSTANT WATTAGE LED EMERGENCY BACK-UP

DESCRIPTION

LED Emergency Back-Up Driver | Standard Side Exit Wire Leads | 14W Output

DRIVER TYPE: Constant Wattage LED Emergency
MAX. OUTPUT POWER: 14W
INPUT VOLTAGE: 120-277Vac, 50/60Hz
OUTPUT VOLTAGE: 15~55Vdc
MAX. OUTPUT CURRENT: 930mA
SAFETY STANDARD: UL 924, Complies with CEC Title 20 Efficiency Standards
WARRANTY: 5 Years



ELECTRICAL SPECIFICATIONS

Input Voltage Range	120-277Vac
Frequency	50/60Hz
Power Factor	> 0.5 under 120~277Vac input
Inrush Current	< 5A
Max input Current	80mA
Output Voltage Range	15-55 Vdc Class 2 compliant
Output Current Range	210-930 mA
Output Power	14W
Protection	<ul style="list-style-type: none"> • Over Voltage Protection; Hiccup mode. Protection will trigger when load voltage exceeds specified output voltage and will auto recover after the fault mode is removed. • Over Current Protection; Hiccup mode. Protection will trigger when load current exceeds specified output current and will auto recover after the fault mode is removed. • Short Circuit Protection; Hiccup mode. Protection will trigger when short circuit and will auto recover after the fault mode is removed. • Over Temperature Protection: Protection will trigger when driver overheats and auto-recovery when cooled down.
Emergency Operation	90 minutes
Battery	High-temperature, maintenance-free, LiFePO ₄ battery, 9.6Vdc, 3 cell
Recharge Time	24 hours
Battery Charging Current	200mA

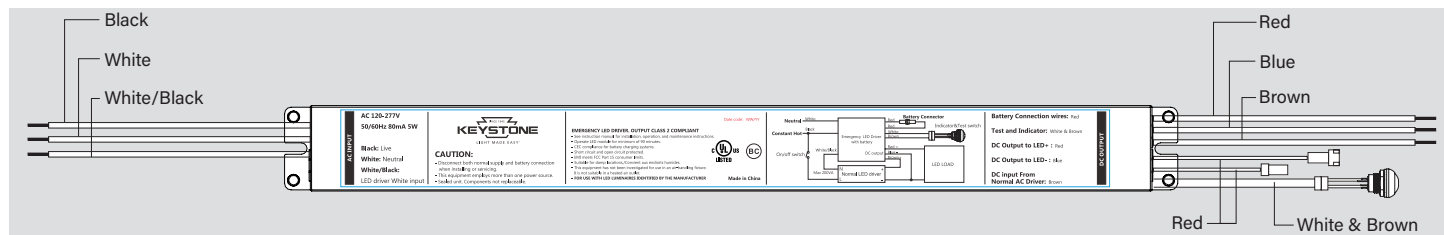
ENVIRONMENTAL SPECIFICATIONS

Operating Temperature	0°C/32°F to 55°C/131°F
Storage Temperature	0°C/32°F to 55°C/131°F
Life Rating	50,000 Hours
Maximum Ambient Temperature	55°C/131°F for battery

SAFETY AND EMC COMPLIANCE

UL/cUL	UL 924
FCC, 47CFR Part 15	ANSI C63.4:2009 Class B Compliant

WIRING DIAGRAM

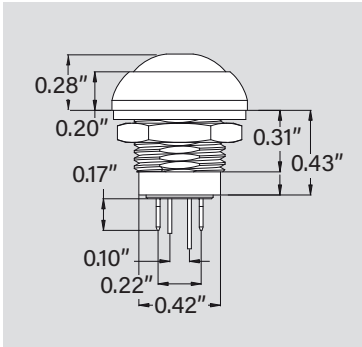
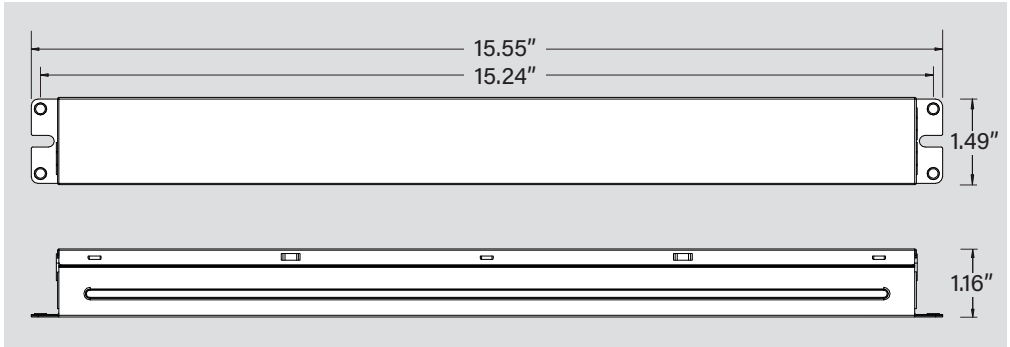




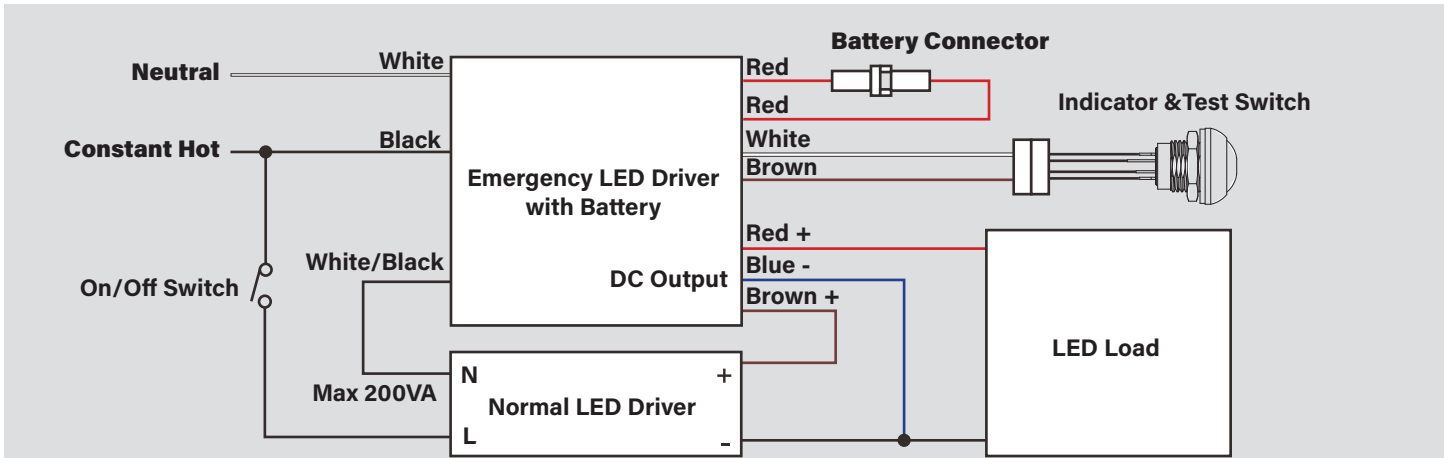
KT-EMRG-LED-14C-1400-EN

CONSTANT WATTAGE LED EMERGENCY BACK-UP

PHYSICAL SPECIFICATIONS



WIRING SPECIFICATIONS



Lead Description, Color, & Length:

- Constant Hot: Black 12"
- Switched Neutral (Going to Normal LED Driver): White/Black 12"
- Neutral: White 12"
- DC Output to LED+ : Red 24"
- DC Output to LED- : Blue 24"
- DC Input from Normal AC Driver: Brown 12"

ORDERING INFORMATION

ORDER CODE	DESCRIPTION	PACKAGING STYLE	PACK QUANTITY	ITEM STATUS
KT-EMRG-LED-14C-1400-EN-IP	1-Piece LED Emergency Back-up with Standard Side Exit Leads	Individually Packaged	1	Active

CATALOG NUMBER BREAKDOWN

KT-EMRG-LED-14C-1400-EN



- | | |
|--|--|
| <p>1 Keystone Technologies</p> <p>2 Emergency Back-up Driver</p> <p>3 LED Driver</p> <p>4 Wattage Family (CEC Compliant)</p> | <p>5 Nominal Lumen Output</p> <p>6 1-Piece Enclosure</p> |
|--|--|