

LED Luminaires

ProLED Highbay HID Retrofit Lamp

- Highbay Retrofit LED Lamp
- Ballast Bypass (Type B)
- Wattage Selectable & CCT Selectable
- Long Lifespan and Excellent Heat Dissipation
- Control Capability with Screwbase Sensor
- Lasts up to 5x Longer than Traditional HID Lamps

Specifications

Description

The Highbay HID Retrofit Lamp is an energy efficient solution and an excellent choice for replacing traditional products. These are ideal replacements for HID Highbay efficient application solutions featuring both Wattage and CCT Selectable technology. The Highbay HID Retrofit Lamp is the optimal way to upgrade legacy metal halide fixtures to LED, with field adjustability, ultra high efficacy and superior optics. The lamp screws into a mogul base socket and connected directly to 120 or 277 Volt lines (Type B, Ballast Bypass applications).

Performance

- Wattage selectable options: 70W-80W-90W & 100W-120W-140W
- CCT selectable options: 3000K-4000K-5000K
- > 80 CRI
- High efficacy up to 167 LPW
- 120-277VAC Input
- Lifetime: 50,000 hours
- Operating temperature: -40°C to 50°C
- 5 year warranty

Certifications

- UL rated
- DLC 5.1
- IP64
- Rated for enclosed fixtures & damp locations



Construction

- Quick & easy installation
- Robust die-cast aluminum and polycarbonate housing
- Polycarbonate lens
- Modern white finish

Controls

- Control capability with screwbase sensor
- 0-10V continuous dimming
- Motion sensor

Applications

- Commercial
- Retail
- Warehousing
- Manufacturing
- Gymnasiums
- Other highbay applications

ProLED Highbay HID Retrofit Lamp

Ordering Logic: EX: HRSL-1-WS-CS-U-EX39

Series	Lumen Range	Wattage		CCT	Voltage	Base
HRSL = Highbay Retrofit Selectable Lamp	1 = 10,683-14,130 Lumens 2 = 14,800-22,120 Lumens	WS = Wattage Selectable	1 (70/80/90W)	CS = Color Selectable	U = 120-277V	EX39
			2 (100/120/140W)			

Ordering Information

Product SKU	Product Code	Product Description
89091	HRSL-1-WS-CS-U-EX39	ProLED Select Highbay Retrofit Lamp Wattage & CCT Selectable
89092	HRSL-2-WS-CS-U-EX39	ProLED Select Highbay Retrofit Lamp Wattage & CCT Selectable
Accessories		
24875	DCMS	DC Bi-Level Motion Sensor

Performance Table

Product Code	Selectable Wattage	3000K		4000K		5000K	
		Lumen Output (lm)	Efficacy	Lumen Output (lm)	Efficacy	Lumen Output (lm)	Efficacy
HRSL-1-WS-CS-U-EX39	70W	10683	153	11690	167	11270	161
	80W	11840	148	13120	164	12560	157
	90W	13410	149	14940	166	14130	157
HRSL-2-WS-CS-U-EX39	100W	14800	148	16200	162	15800	158
	120W	17280	144	19080	159	18480	154
	140W	20720	148	23380	167	22120	158

ProLED Highbay HID Retrofit Lamp

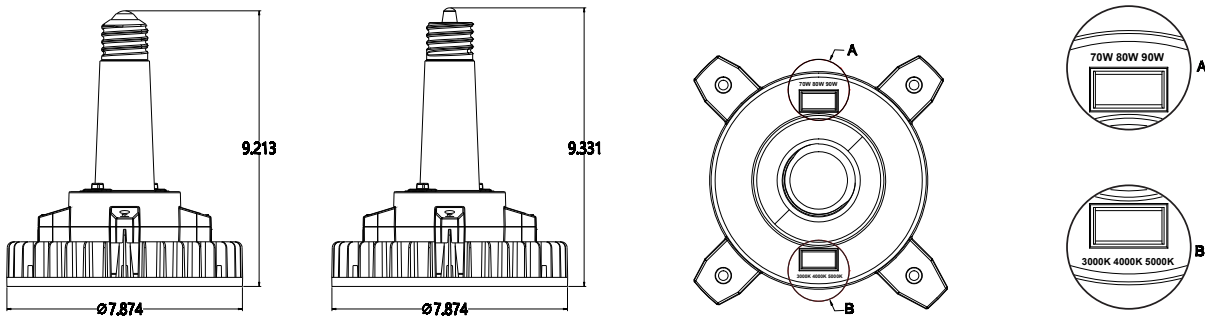
Specifications Table

	HRSL-1-WS-CS-U-EX39	HRSL-2-WS-CS-U-EX39
Wattage	70/80/90W	100/120/140W
Lumens	10,683 - 14,130 Lumens	14,800 - 22,120 Lumens
CCT	3000K/4000K/5000K	3000K/4000K/5000K
Efficacy	144-167 LPW	
Amperage	120VAC(0.75A) 277VAC(0.32A)	120VAC(1.16A) 277VAC(0.51A)
CRI	> 80	
L70 Lifetime (Hrs)	50,000	
Voltage	120-277VAC	
Power Factor	0.9	
Dimming	Yes, 0-10V	
Surge Protection	6kV	
Housing	Die-Cast Aluminum & Polycarbonate	
Lens	Polycarbonate	
Operating Temperature	-40°C to 50°C (-40° to 122°F)	
Listings	UL, DLC 5.1, IP64	
Environment	Damp Location Rated	
Weight	3.219 lb	3.704 lb
Warranty	5 Years	

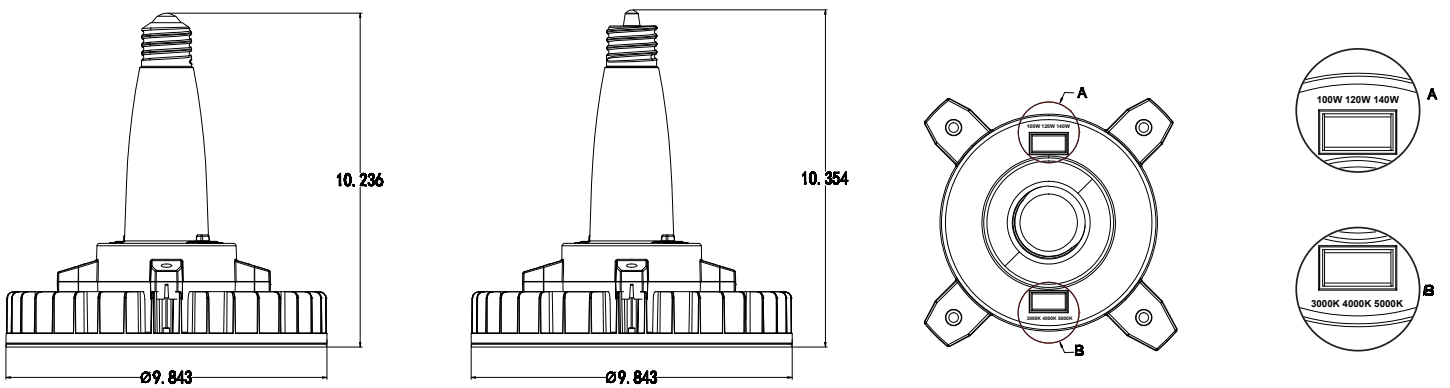
ProLED Highbay HID Retrofit Lamp

Dimensions

EHB07B-90W - E39/EX39



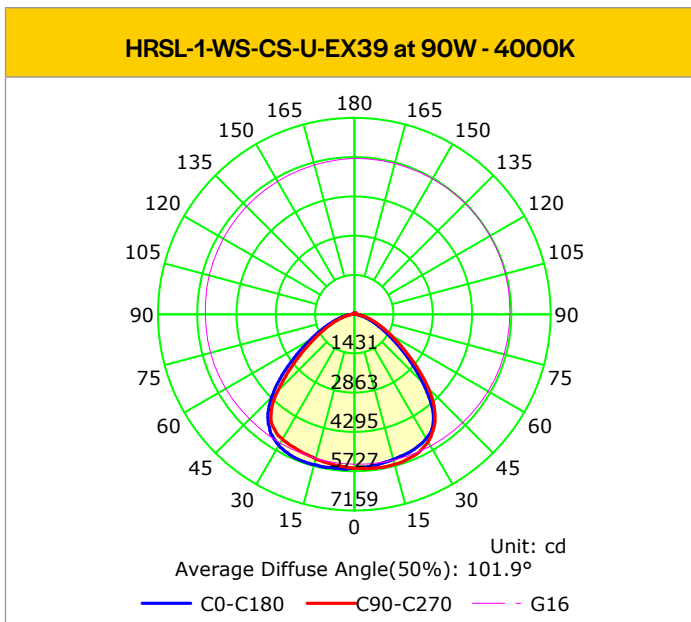
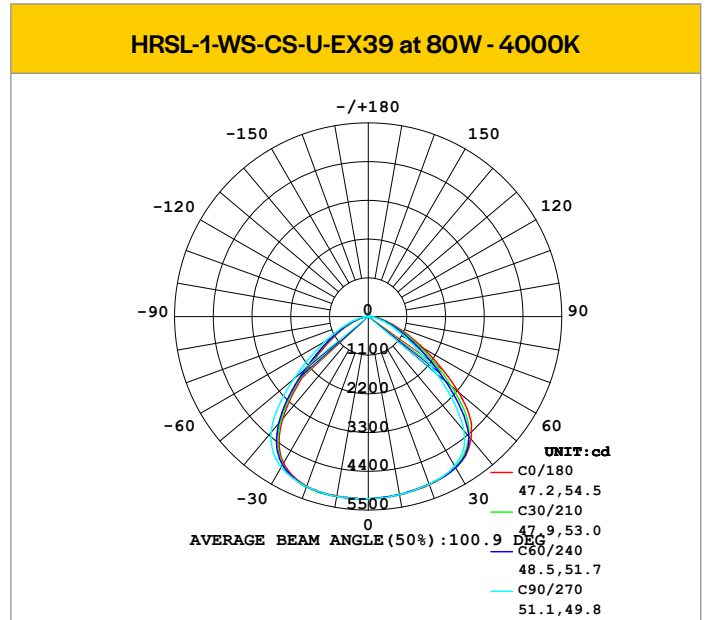
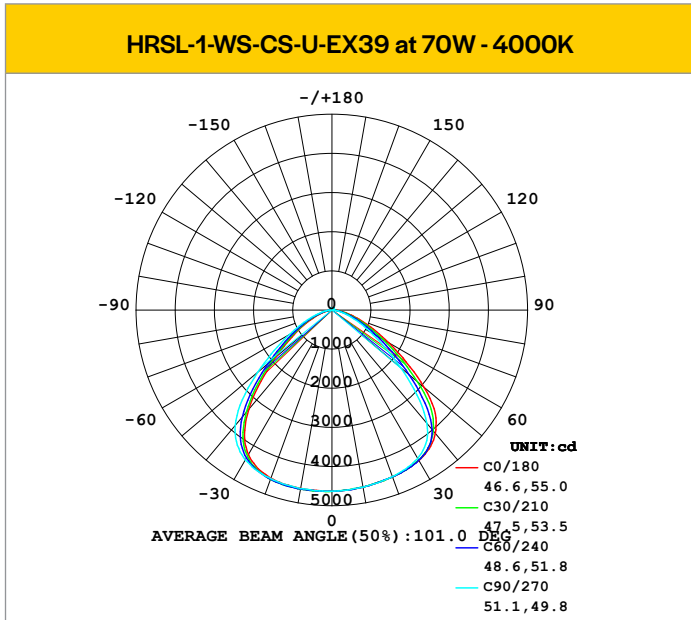
EHB07B-140W - E39/EX39



ProLED Highbay HID Retrofit Lamp

Photometrics*

*The below diagrams and zonal lumen summaries represent each fixture at each wattage selection and at 4000K. For complete photometry/IES files, please contact the factory.



ProLED Highbay HID Retrofit Lamp

Photometrics*

*The below diagrams and zonal lumen summaries represent each fixture at highest wattage selection and at 4000K. For complete photometry/IES files, please contact the factory.

