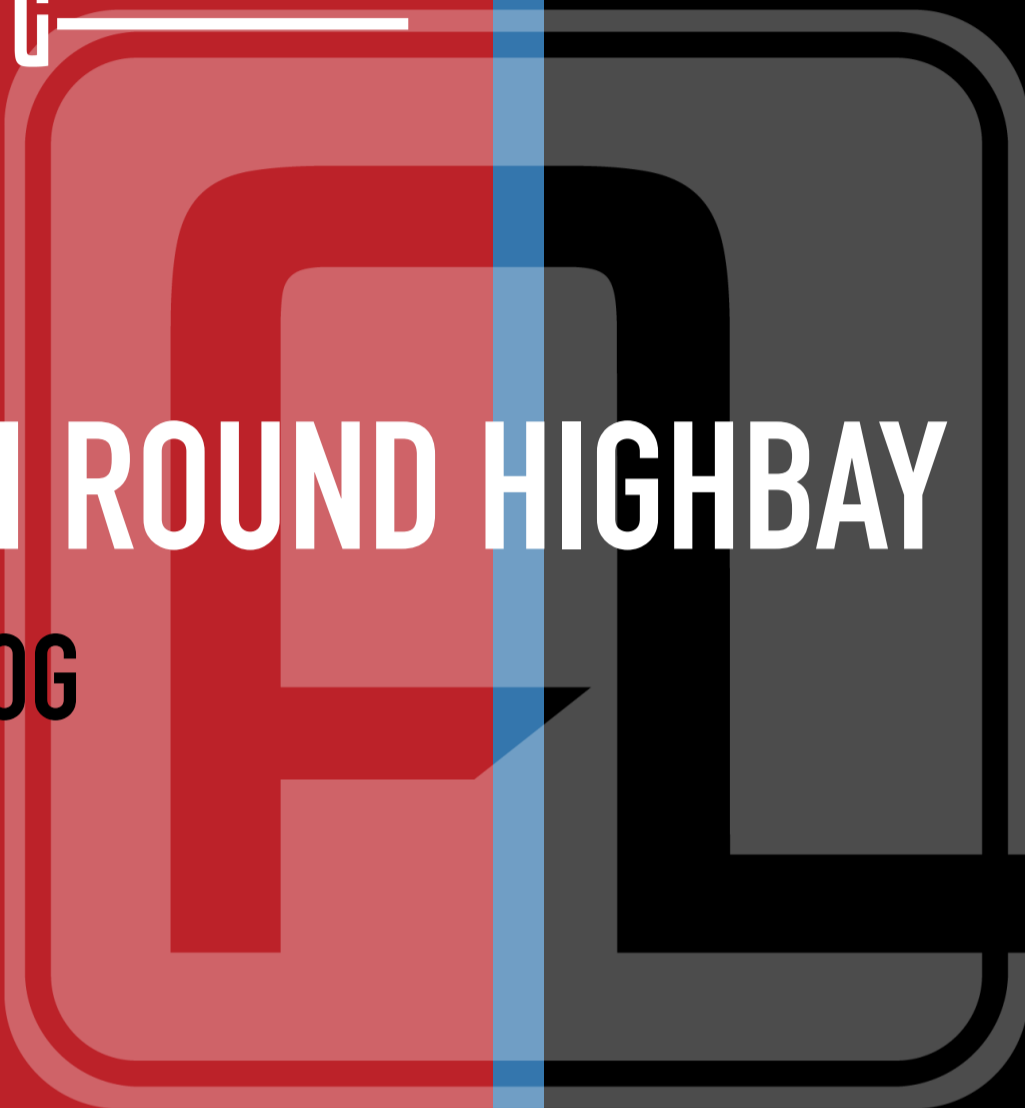




**ARCHIPELAGO**  
LIGHTING

**lampar** **ARCH ROUND HIGHBAY**  
**LRHB-SERIES CATALOG**



[WWW.ARCHIPELAGOLIGHTING.COM](http://WWW.ARCHIPELAGOLIGHTING.COM)

t: (866) 912-3220 | 4615 State, Montclair, CA 91763

ARCHIPELAGO LIGHTING © 2019

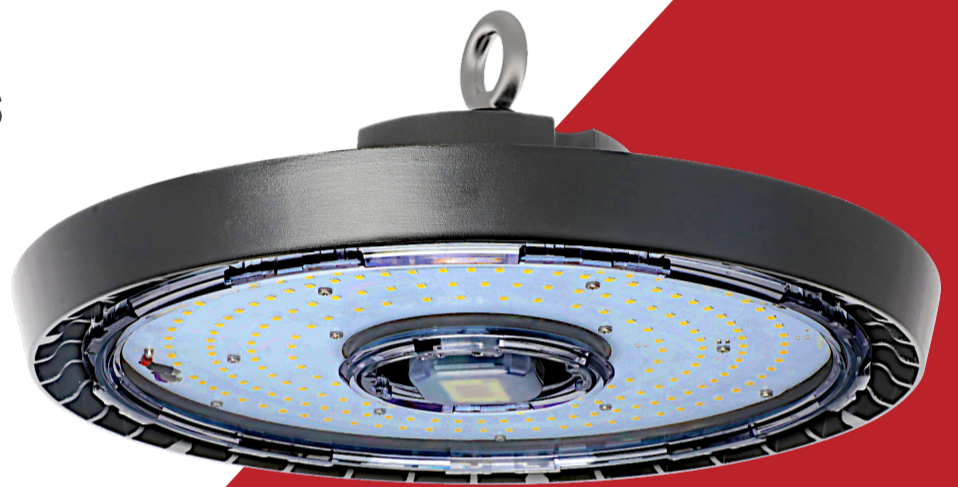
# LRHB-SERIES Summary

---

**100W | 150W | 200W | 240W**

## Features:

- Samsung SMD, LM80, IP-Protected
- Available With PIR/Microwave Sensors
- Compact & Light Weight Design
- Impact-Resistant Glass Lens
- Optional Polycarbonate Lens Available
- IP65-Rated for Wet Location
- Efficacy Up To 135lm/W
- UL+DLC Premium



---

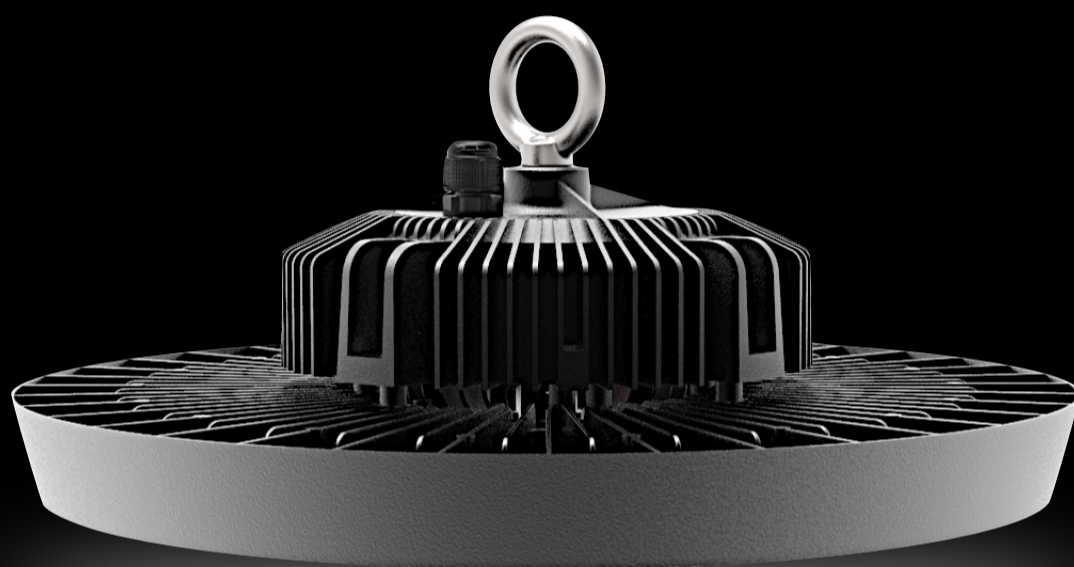
**300W | 400W | 500W**

## Features:

- Samsung SMD, LM80, IP-Protected
- In-Line Fuse: 120-277V=300V, 200-480V=600V
- Impact-Resistant Polycarbonate Lens
- Superior Efficacy Up To 150lm/W
- IP65-Rated for Wet Location
- Rugged Industrial Design
- UL+DLC Premium



# LRHB-SERIES | 100-240W



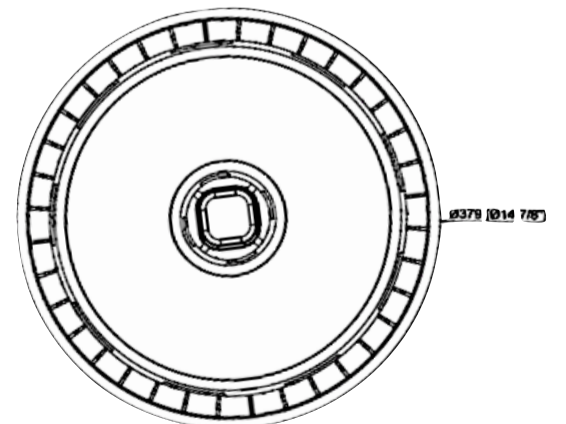
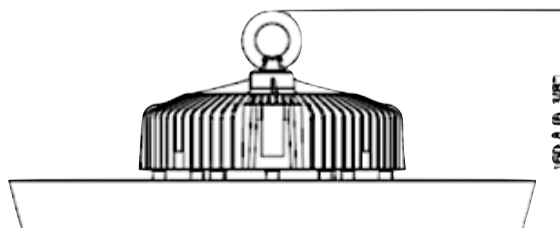
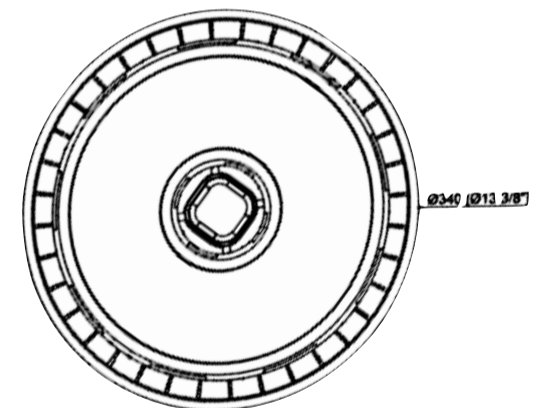
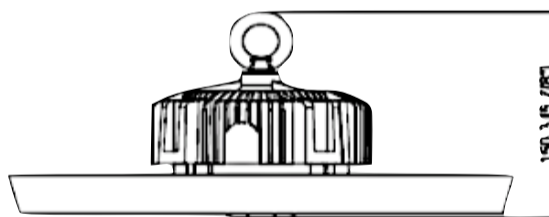
# LRHB-SERIES | 100-240W

## PERFORMANCE

MODEL	WATT (W)	LUMEN (LM)	CCT	VOLTAGE (V)	CRI	OPERATING TEMP (°F)	SP	BEAM ANGLE
LRHB100	100W	13,500LM	3000K 4000K 5000K	100-277V 200-480V	>80	-40/+120°F	4KV	110°
LRHB150	150W	20,250LM	3000K 4000K 5000K	100-277V 200-480V	>80	-40/+120°F	4KV	110°
LRHB200	200W	27,000LM	3000K 4000K 5000K	100-277V 200-480V	>80	-40/+120°F	4KV	110°
LRHB240	240W	32,400LM	3000K 4000K 5000K	100-277V 200-480V	>80	-40/+120°F	4KV	110°

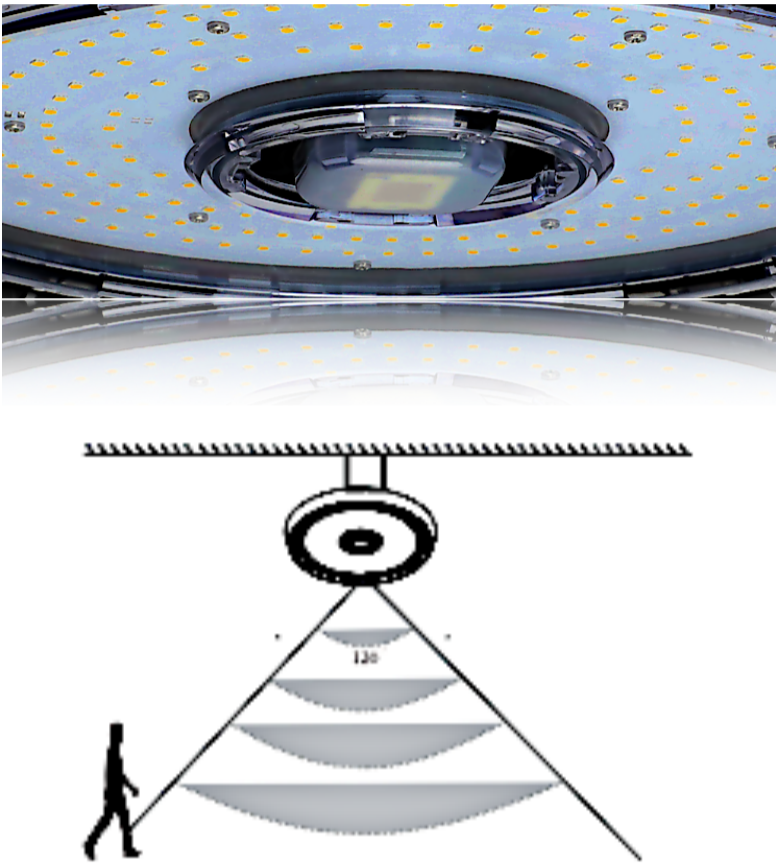
## DIMENSION

MODEL	HEIGHT (In)	DIAMETER (In)
LRHB100	5 7/8"	13 3/8"
LRHB150	5 7/8"	13 3/8"
LRHB200	6 3/8"	14 7/8"
LRHB240	6 3/8"	14 7/8"



# LRHB-SERIES | 100–240W

## OPTIONAL ACCESSORY: Microwave Sensor



### TWIST-IN SENSOR:

- ▶ Standby Time: 5min, dim to 30% if no movement
- ▶ Sensing Height @ 30° — 150° Detection Angles:
  - ▶ 25FT for low bay
  - ▶ 50FT for high bay
- ▶ Sensing Angle: 120°
- ▶ 5.8GHz microwave signal may penetrate:
  - ▶ Glass
  - ▶ Wood
  - ▶ Thin metallic objects

## ORDERING GUIDE

MODEL SERIES	WATT (W)	BEAM ANGLE	VOLTAGE (V)	CCT
<input type="text"/> LRHB LED Round High Bay Series	<input type="text"/> 100   100W 150   150W 200   200W 240   240W	<input type="text"/> 110   110°	<input type="text"/> U   100-277V H   200-480V	<input type="text"/> 30   3000K 40   4000K 50   5000K

### EXAMPLE:

LRHB150-110-U50

150

110

U

50

# LRHB-SERIES | 300-500W



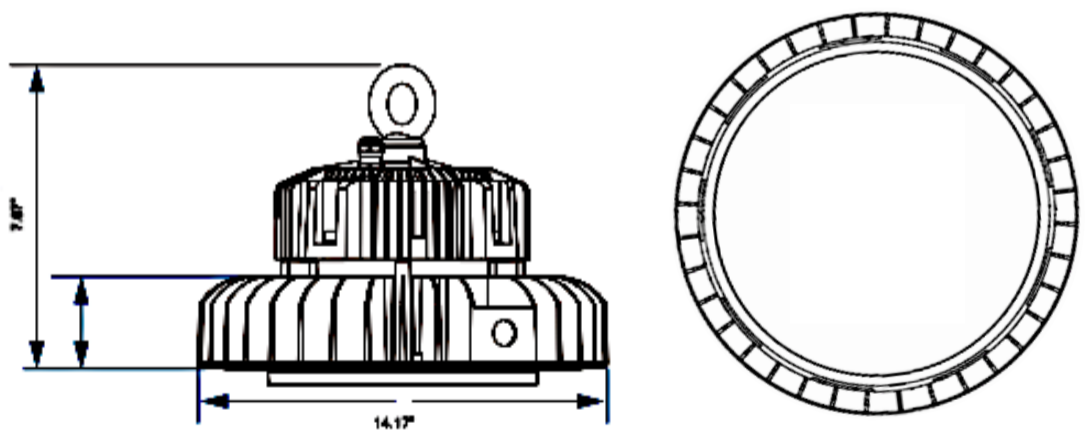
# LRHB-SERIES | 300-500W

## PERFORMANCE

MODEL	WATT (W)	LUMEN (LM)	CCT	VOLTAGE (V)	CRI	OPERATING TEMP (°F)	ADD	BEAM ANGLE
LRHB300	300W	45,000LM	4000K 5000K	100-277V 200-480V	>80	-20/+150°F	4KV	110°
LRHB400	400W	60,000LM	4000K 5000K	100-277V 200-480V	>80	-20/+150°F	4KV	110°
LRHB500	500W	75,000LM	4000K 5000K	100-277V 200-480V	>80	-20/+150°F	4KV	110°

## DIMENSION

MODEL	HEIGHT (In)	DIAMETER (In)
LRHB300	7 7/8"	14 1/8"
LRHB400	7 7/8"	14 1/8"
LRHB500	7 7/8"	14 1/8"



# LRHB-SERIES | 300-500W

## ORDERING GUIDE

MODEL SERIES	WATT (W)	BEAM ANGLE	VOLTAGE (V)	CCT
<input type="text"/>	<input type="text"/>	<input type="text"/>	<input type="text"/>	<input type="text"/>
<b>LRHB</b> LED Round High Bay Series	<b>300</b>   300W <b>400</b>   400W <b>500</b>   500W	<b>110</b>   110°	<b>U</b>   100-277V <b>H</b>   200-480V	<b>40</b>   4000K <b>50</b>   5000K
<b>EXAMPLE:</b>				
<input type="text" value="LRHB300-110-H50"/>	<input type="text" value="300"/>	<input type="text" value="110"/>	<input type="text" value="H"/>	<input type="text" value="50"/>

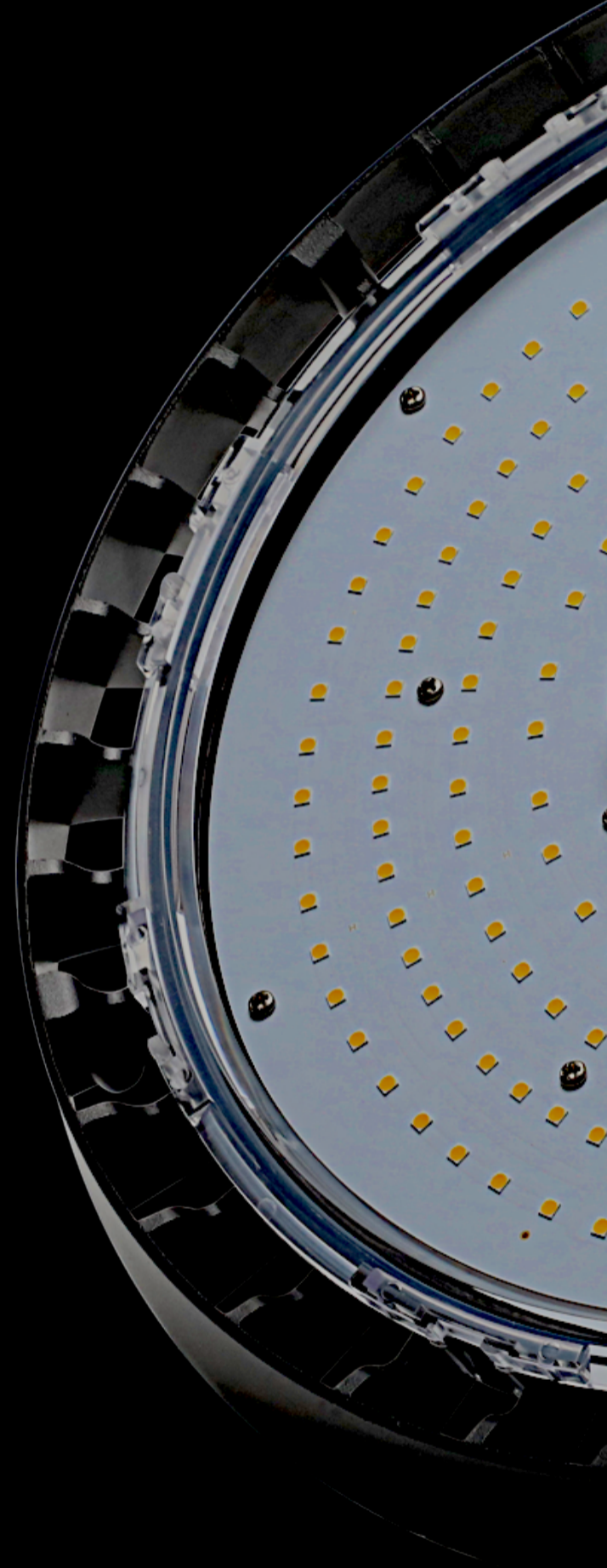


# ABOUT THE COMPANY

## ARCHIPELAGO LIGHTING

---

Archipelago Lighting, Inc. is a leading prime manufacturer of commercial and residential lighting products in USA and China. We are a team of passionate lighting professionals whose goal is to improve life through disruptive LED lighting products. We manufacture a wide variety of products to support the growing adoption of energy efficient LED



**ARCHIPELAGO**  
**LIGHTING**

---

[WWW.ARCHIPELAGOLIGHTING.COM](http://WWW.ARCHIPELAGOLIGHTING.COM)

t: (866) 912-3220 | 4615 State, Montclair, CA 91763

ARCHIPELAGO LIGHTING © 2019