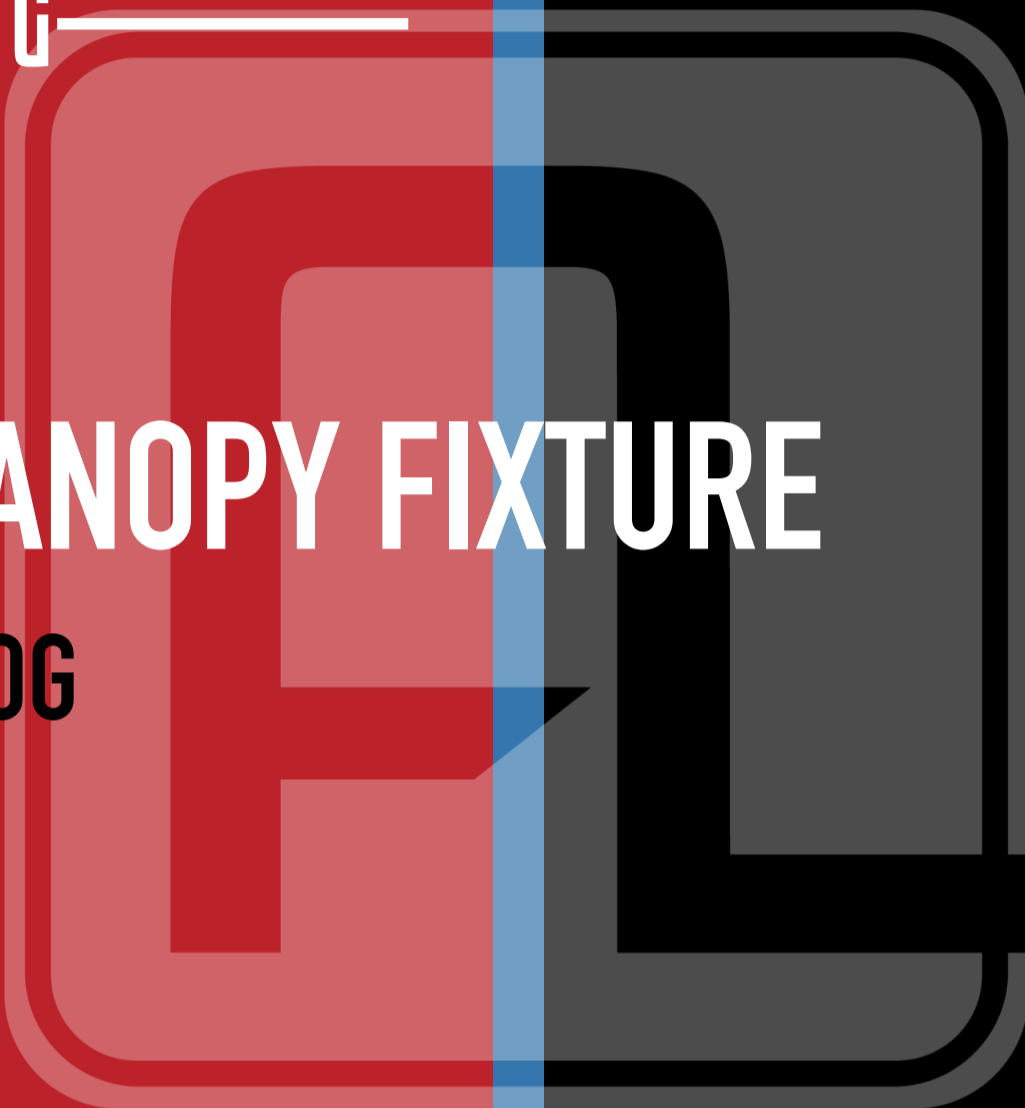




ARCHIPELAGO
LIGHTING

luxo **A**RCH CANOPY FIXTURE

LCNP-SERIES CATALOG



luxo[®]ARCH | LCNP-Series LED Canopy



CRI (Ra)



EFFICACY



100,000 Hrs



10YEAR
WARRANTY



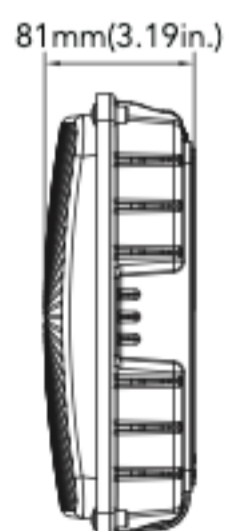
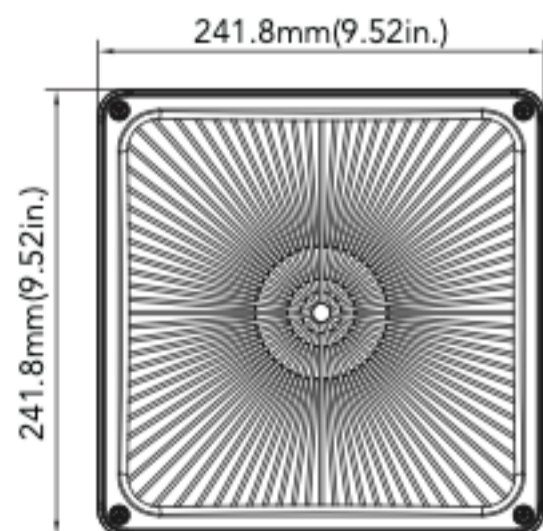
LCNP-SERIES | LED Canopy

PERFORMANCE

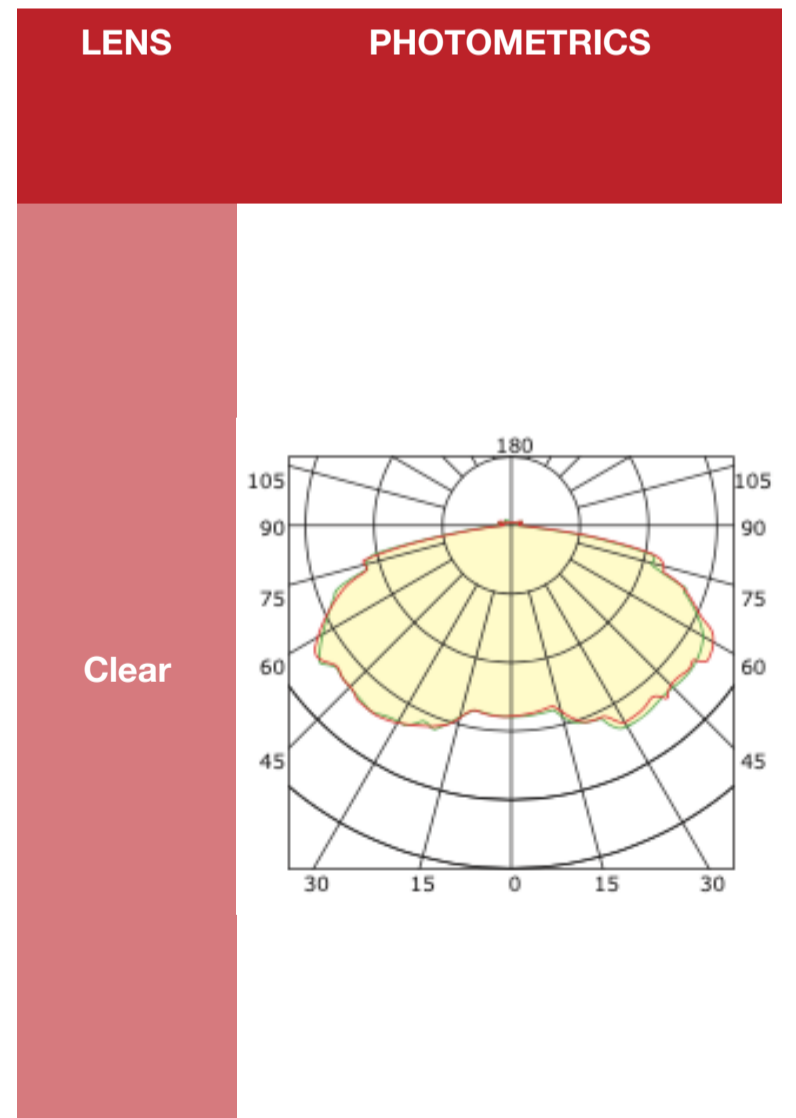
MODEL	WATT	VOLTAGE	CCT	LUMEN (4000K)	LUMEN (5000K)
LCNP27	27W	U: 120-277Vac	4000K 5000K	3750LM	3800LM
LCNP40	40W	U: 120-277Vac H: 347-480Vac	4000K 5000K	5350LM	5450LM
LCNP60	60W	U: 120-277Vac H: 347-480Vac	4000K 5000K	7800LM	8000LM

DIMENSION

MODEL	HEIGHT (In)	WIDTH (In)	DEPTH (In)
LCNP27 LCNP40 LCNP60	9.52	9.52	3.19



PHOTOMETRICS



LCNP-SERIES | LED Canopy

ORDERING GUIDE

MODEL SERIES	WATT (W)	CCT	VOLTAGE	FINISH	SENSOR (Optional)	EMERGENCY BATTERY (Optional)
LCNP	27 27W	40 4000K	U 120-277V	B Black	M Motion Sensor	EM Battery
LED Canopy	40 40W	50 5000K	H 347-480V	D Dark Bronze	Blank None	Blank None
	60 60W			W White		

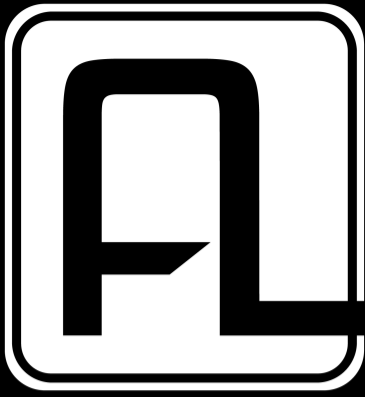
EXAMPLE:

LCNL27-50-UB-M-EM	27W	5000K	120-277V	Black	Sensor	Battery
-------------------	-----	-------	----------	-------	--------	---------

DLC MODEL GUIDE

SYSTEM WATT	VOLTAGE	CCT	DLC MODEL	DLC CLASSIFICATION
27W	120-277V	4000K	MCP0527W27V40K	Standard
	120-277V	5000K	MCP0527W27V50K	Standard
40W	120-277V	4000K	MCP0540W27V40K	Standard
	120-277V	5000K	MCP0540W27V50K	Standard
27W	120-277V	4000K	MCP0527W27V40K	Premium
	120-277V	4000K	MCP0527W27V40KD	Premium
	120-277V	5000K	MCP0527W27V50K	Premium
	120-277V	5000K	MCP0527W27V50KD	Premium
40W	120-277V	4000K	MCP0540W27V40K	Premium
	120-277V	4000K	MCP0540W27V40KD	Premium
	347-480V	4000K	MCP0540W48V40K	Premium
	347-480V	4000K	MCP0540W48V40KD	Premium
	120-277V	5000K	MCP0540W27V50K	Premium
	120-277V	5000K	MCP0540W27V50KD	Premium
	347-480V	5000K	MCP0540W48V50K	Premium
	347-480V	5000K	MCP0540W48V50KD	Premium
60W	120-277V	4000K	MCP0560W27V40K	Premium
	120-277V	4000K	MCP0560W27V40KD	Premium
	347-480V	4000K	MCP0560W48V40K	Premium
	347-480V	4000K	MCP0560W48V40KD	Premium
	120-277V	5000K	MCP0560W27V50K	Premium
	120-277V	5000K	MCP0560W27V50KD	Premium
	347-480V	5000K	MCP0560W48V50K	Premium
	347-480V	5000K	MCP0560W48V50KD	Premium





ARCHIPELAGO
LIGHTING

ABOUT THE COMPANY

Archipelago Lighting, Inc. is a leading prime manufacturer of commercial and residential lighting products in USA and China. We are a team of passionate lighting professionals whose goal is to improve life through disruptive LED lighting products. We manufacture a wide variety of products to support the growing adoption of energy efficient LED

