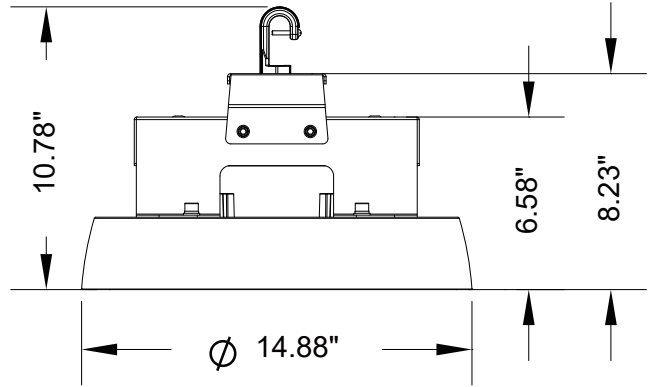




74109B - LED ECONOMY UFO HIGH BAY

277-480V 300W 5000K



FEATURES:

- Polycarbonate Lens
- Optimal Heat dissipation
- Anti-UV Lens
- High Color Rendering Performance
- Operating Temperature: -40°F-122°F
- 2KV surge protector inside of power supply
- 5 Year Limited Warranty
- IP65 rated
- Certification: cULus
- Environment: Suitable for Wet Locations
- DLC PRODUCT ID#: S-E8TNU7

Part#	Wattage	Voltage	Lumens	CCT	CRI	Dimming	Light Pattern	Lumens/Watt	DLC PRODUCT ID#:
74109B	300W	277-480V	41,506	5000K	84	0-10V	110°	138	S-E8TNU7



74109B - LED ECONOMY UFO HIGH BAY

277-480V 300W 5000K

Technical Specifications:

Electrical:

Input Voltage: 277 thru 480V

Current: 2.52A @ 277V

Frequency: 50/60Hz

Power Factor: ≥ 0.9

THD: 6%

Product Parameters:

300 Watts

Lumens: 41,506

Efficacy: 138 Lumens Per Watt

Life Span: 50,000+ L70

CCT: 5000K (Cool White)

Chromaticity Measurements:

Beam Angle: 110°

CRI: 84

R9: 16

Component Specifications:

LED: Seoul 2835

Driver: 277V 50/60Hz

Driver Output Volts: 150V/DC

Driver Output Amps: 1.0A 2KV

Surge Protection

Dimming:

0-10V

Operating Temperature:

Minimum Starting -40°F - 122°F

Construction:

Housing: Die Cast Aluminum Housing

Powder Coated

IP Rating: IP65 Wet Location Rated

Lens Material: PC

Mounting: Ceiling Mount

- Recommend 8" minimum between fixture & ceiling

Listings:

cULus

DLC PRODUCT ID#: S-E8TNU7

Warranty:

Morris Products carries a 5 year warranty from date of purchase against defects in materials workmanship (assuming normal and proper usage).