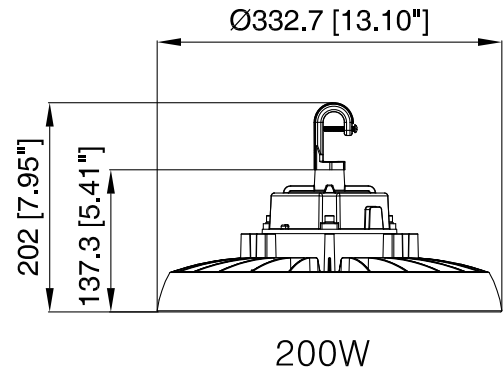




# 74098B - LED ECONOMY UFO HIGH BAY

120-277V 200W 5000K



## FEATURES:

- Polycarbonate Lens
- Optimal Heat dissipation
- Anti-UV Lens
- High Color Rendering Performance
- Operating Temperature:  $-40^{\circ}\text{F}$ - $122^{\circ}\text{F}$
- 2KV surge protector inside of power supply
- 5 Year Limited Warranty
- IP65 rated
- Certification: cULus
- Environment: Suitable for Wet Locations
- DLC PRODUCT ID#: S-MKSG6Q

Part#	Wattage	Voltage	Lumens	CCT	CRI	Dimming	Light Pattern	Lumens/Watt	DLC PRODUCT ID#:
74098B	200W	120-277V	27,829	5000K	84	0-10V	110°	139	S-MKSG6Q



# 74098B - LED ECONOMY UFO HIGH BAY

120-277V 200W 5000K

## Technical Specifications:

### **Electrical:**

Input Voltage: 120-277

Current: 1.61A @ 120V

Frequency: 50/60Hz

Power Factor:  $\geq 0.9$

THD: 12%

### **Product Parameters:**

200 Watts

Lumens: 27,829

Efficacy: 139 Lumens Per Watt

50,000+ L70 Life Span

CCT: 5000K (Cool White)

### **Chromaticity Measurements:**

Beam Angle: 110°

CRI: 84

R9: 14

### **Component Specifications:**

LED: Seoul 2835

Driver: 120V 50/60Hz

Driver Output Volts: 150V/DC

Driver Output Amps: 1.0A

2KV Surge Protection

### **Dimming:**

0-10V

### **Operating Temperature:**

Minimum Starting -40°F - 122°F

### **Construction:**

Housing: Die Cast Aluminum Housing

Powder Coated

IP Rating: IP65 Wet Location Rated

Lens Material: PC

### **Mounting:** Ceiling Mount

- Recommend 8" minimum between fixture & ceiling

### **Listings:**

cULus

DLC PRODUCT ID#: S-MKSG6Q

### **Warranty:**

Morris Products carries a 5 year warranty from date of purchase against defects in materials and workmanship (assuming normal and proper usage).